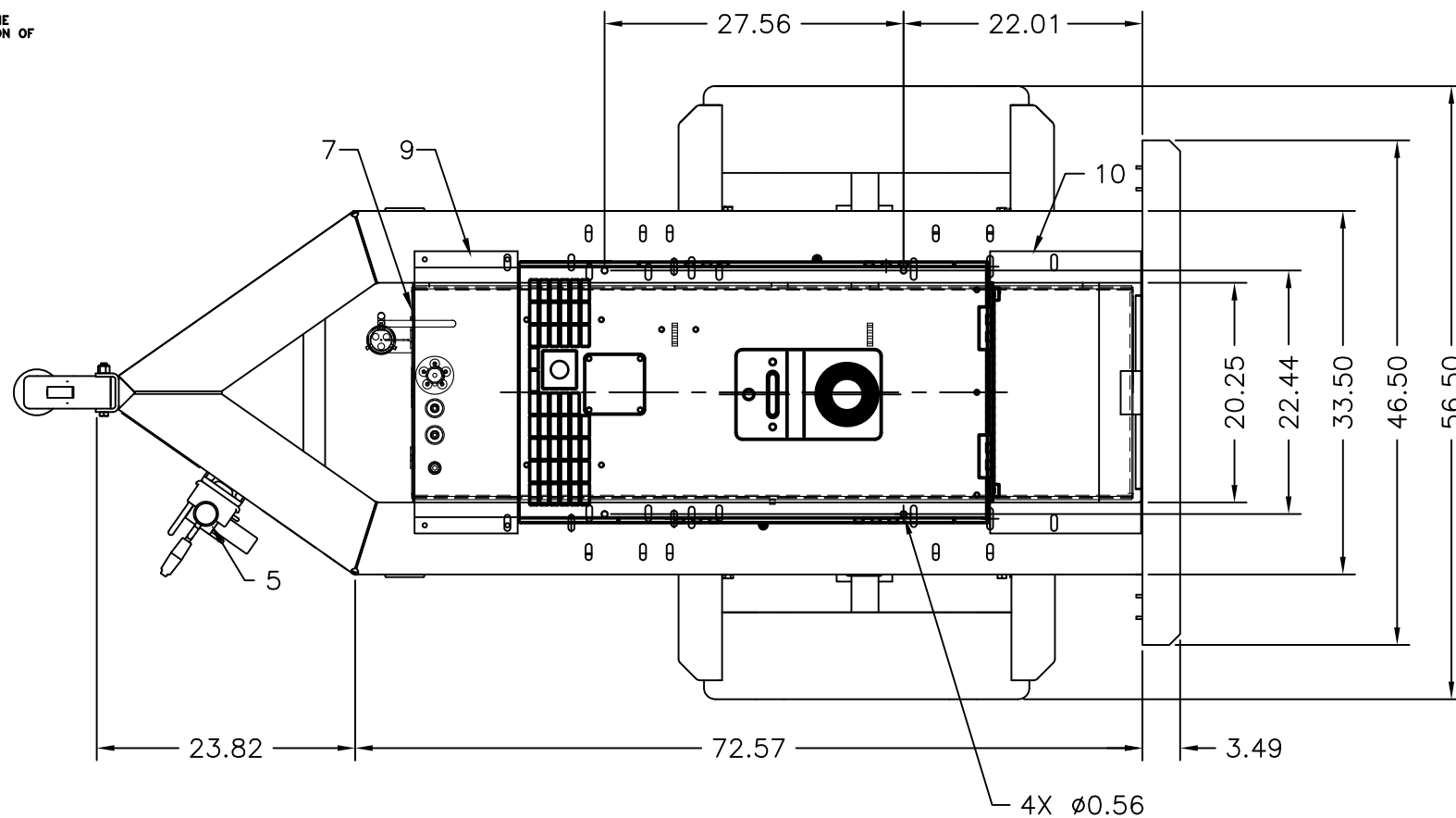
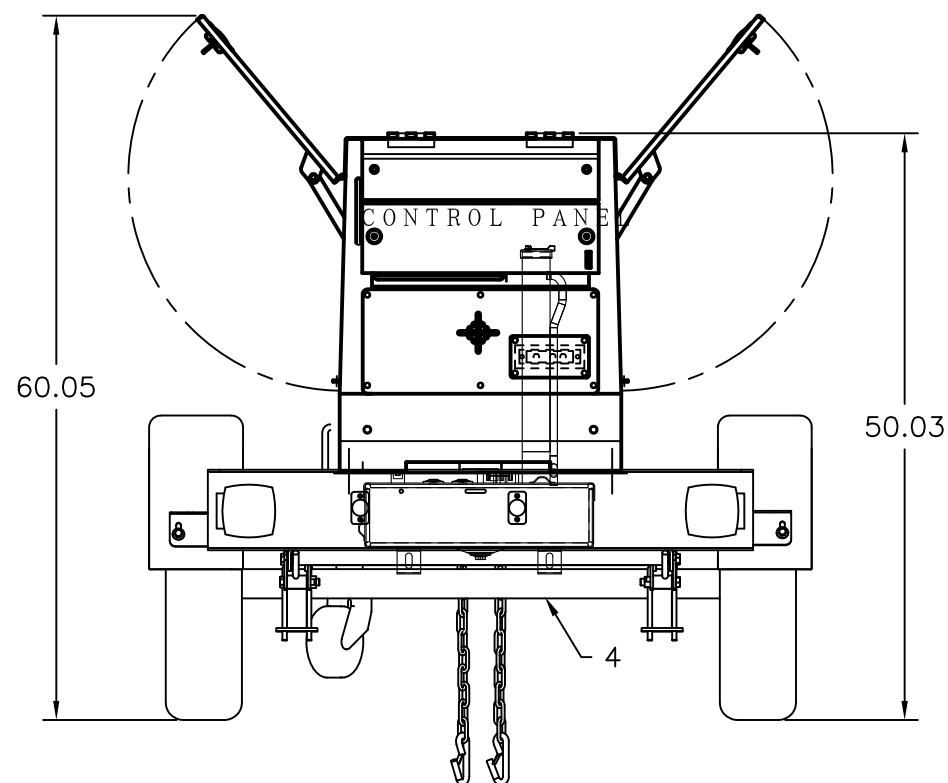
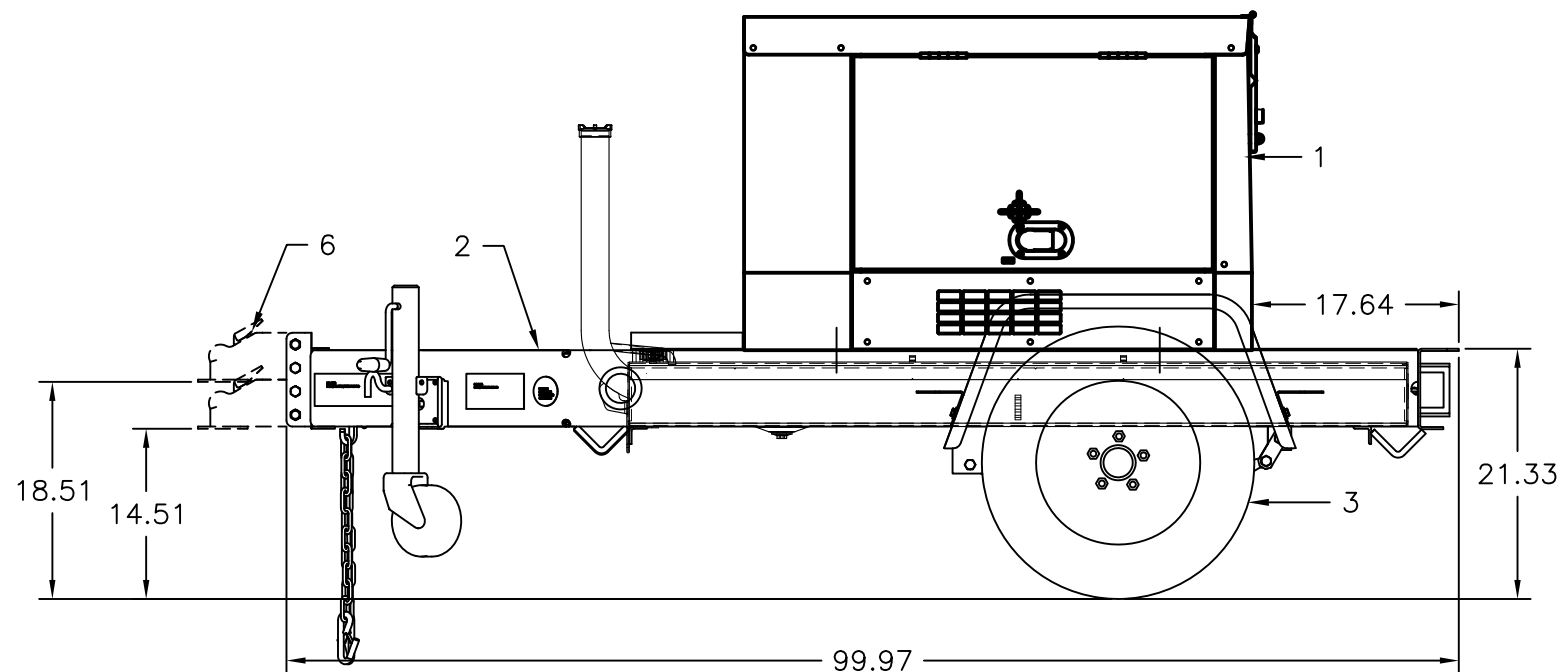


THIS DRAWING AND THE DATA DISCLOSED HEREIN OR HEREWITH IS CONFIDENTIAL AND PROPRIETARY AND IS NOT TO BE REPRODUCED, USED, OR DISCLOSED IN WHOLE OR IN PART TO ANYONE WITHOUT THE EXPRESSED WRITTEN PERMISSION OF MULTIQUIP COMPANY.

DWG. NO. 202077



PART LISTS				
ITEM	PART NUMBER	QTY	DESCRIPTION	MANUFACTURE
1	TLG-8SSK4F	1	8KVA GENSET 8SSK4F GENSET WEIGHT (DRY): 579lbs	DENYO
2	TRLRMP-XF	1	TRAILER (MODEL:TRLRMP-XF) TRAILER WT. ONLY: 347lbs G.V.W.R.: 2,000lbs TONGUE WT.: OVERALL DIMENSION: 100L X 57W X 50H	WHITEMAN
3		2	TIRE: ST175/80-13C WHEEL: 13 X 4.5	
4		1	AXLE: 2000lbs, NO BRAKING MECHANISM	
5		1	JACK, 2K	
6		1	2" BALL CLASS	
7	EE55144	1	FUEL TANK CAPACITY: 28GAL.	TRANSFER FLOW
8	EE53069	1	PUMP, ELECTRIC FUEL	FACET
9	-	1	COVER, FRONT	-
10	-	1	COVER, REAR	-



UNLESS OTHERWISE SPECIFIED DIMENSIONS ARE IN INCHES TOLERANCES ARE :		CUSTOMER		MQ POWER TEL: (310) 537-3700/FAX: (310) 632-2656 18910 WILMINGTON AVENUE CARSON, CA 90746	
FRACTIONS	DECIMALS	ANGLES	JOB NO.		
±	.XX ±	±			
	.XXX ±				
DERIVED FROM		MATERIAL	DRAWN	APPROVALS	
REV	DATE	FINISH	J. TRAN	DATE	
				04/06/15	
CAD CODE		DO NOT SCALE DRAWING		CHECKED	
202077				SALESMAN	
				SIZE	FSCM NO.
				D	
				SCALE	DWG. NO.
				1/8	202077
					SHEET
					1 / 1

DWG. NO. 202077
 REVISION