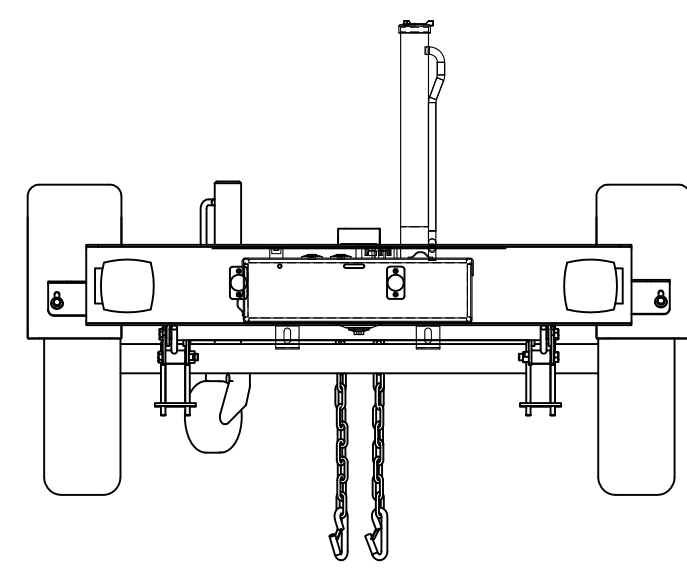
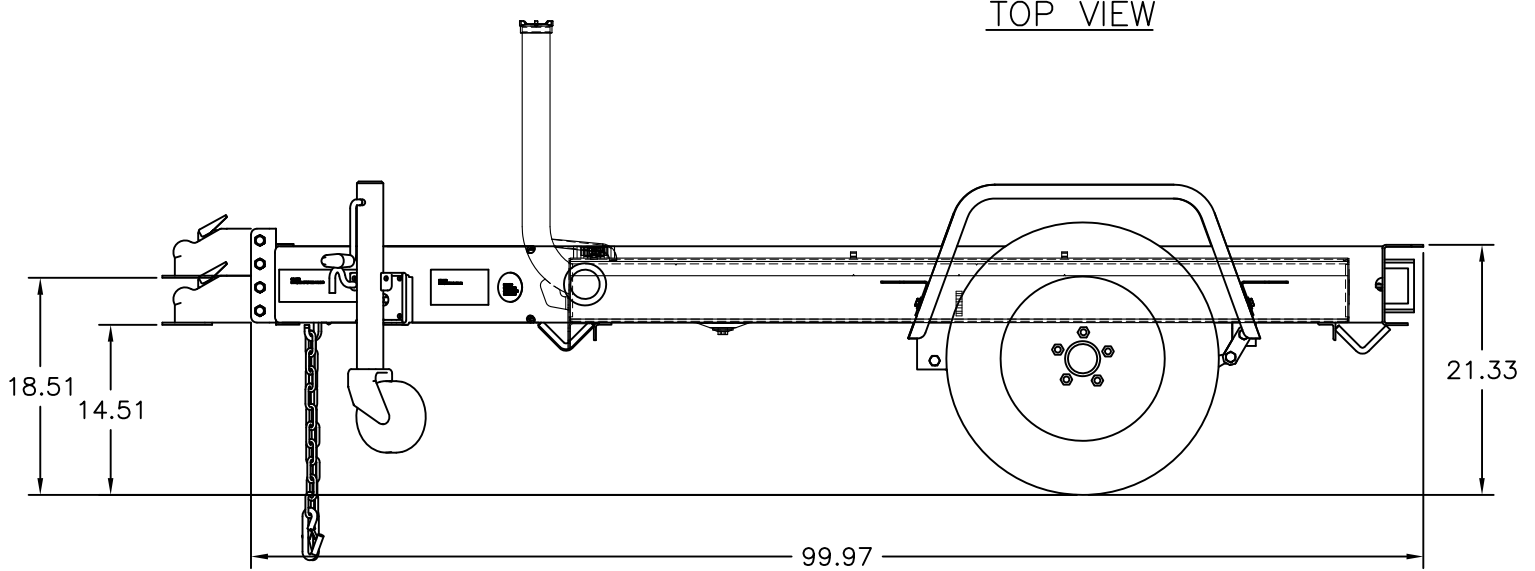
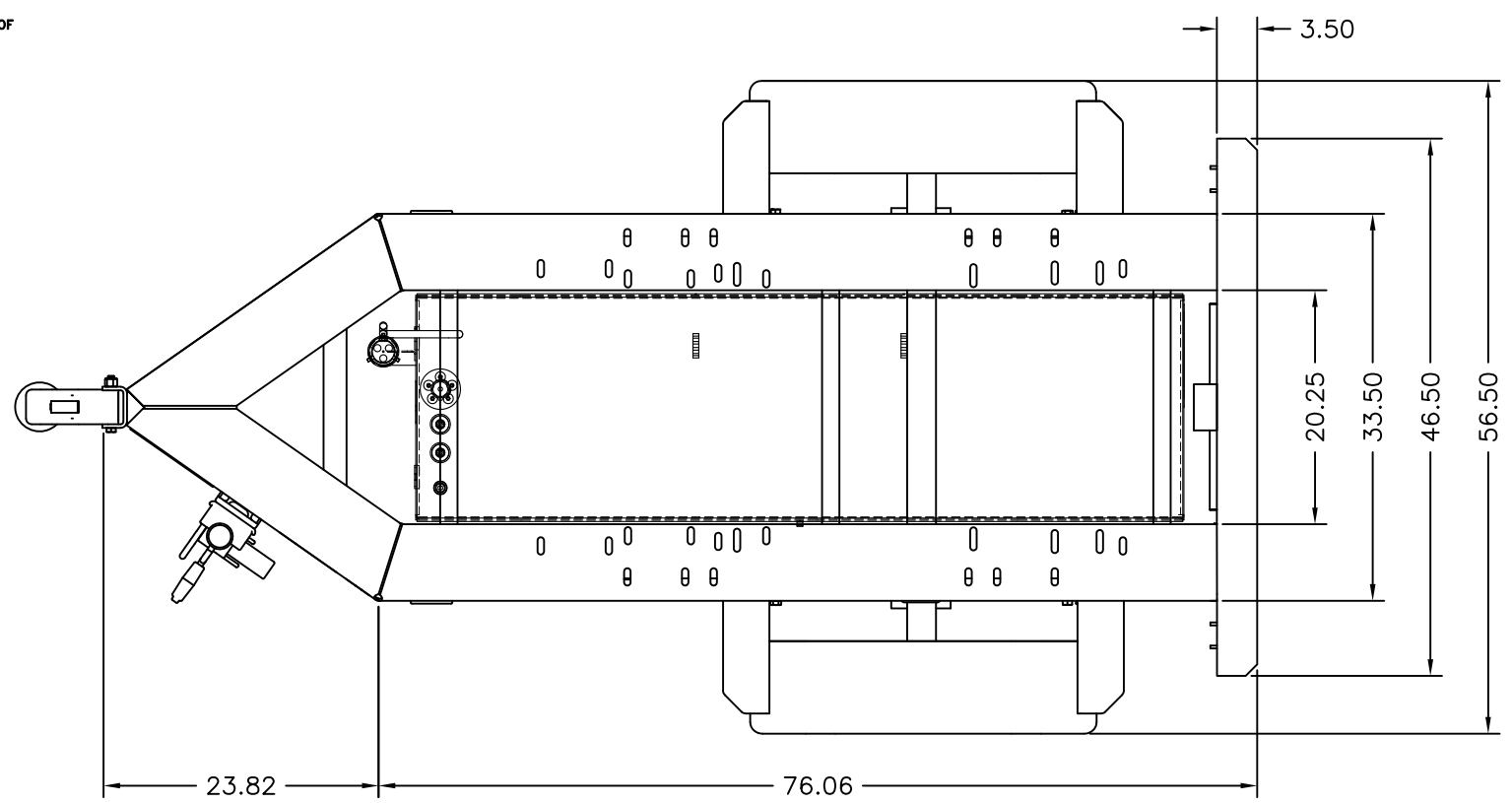


THIS DRAWING AND THE DATA DISCLOSED HEREIN OR HEREWITH IS CONFIDENTIAL AND PROPRIETARY AND IS NOT TO BE REPRODUCED, USED, OR DISCLOSED IN WHOLE OR IN PART TO ANYONE WITHOUT THE EXPRESSED WRITTEN PERMISSION OF MULTIQIP COMPANY.

DWG. NO. 200242 REVISION 11

ZONE	LTR	DESCRIPTION	DATE	APPROVED
A		ADDED FRAME	7-6-01	JT
B		REMOVED FRAME	12-3-01	JT
C		ADDED INSIDE DIMENSION FOR TRAILER FRAME	12-11-01	JT
D		TITLE BLOCK UPDATES	1-28-03	DM
E		UPDATED DRAWING	2/20/07	JT
F		UPDATED DRAWING	4/24/07	JT
G		CHANGED WEIGHT FROM 205lbs TO 347lbs	5/8/07	JT
H		UPDATED DRAWING	11/16/07	JT
H1		GVWR 2760, WAS 2000	7/17/15	JT
I		ADDED SLOTS & CHANGED WEIGHT 508 WAS 533	08/05/15	JT



TRLRMP-XF TRAILER	
WEIGHT (APPROX.)	508lbs
LENGTH	100"
WIDTH	56"
FRAME WIDTH	33.5"
AXLE	3500lbs, NO BRAKING MECHANISM (QTY 1)
TIRES	ST175/80D13 (QTY 2)
WHEELS	13 X 4.5 (QTY 2)
GVWR	2,760lbs
JACK	JACK, 2K
FUEL TANK	28GAL. CAPACITY

UNLESS OTHERWISE SPECIFIED DIMENSIONS ARE IN INCHES TOLERANCES ARE :		CUSTOMER		<b>MQ POWER</b> TEL: (310) 537-3700/FAX: (310) 632-2656 18910 WILMINGTON AVENUE CARSON, CA 90746	
FRACTIONS	DECIMALS	ANGLES	JOB NO.		
±	.XX ±	±			
	.XXX ±				
DERIVED FROM		MATERIAL		TRLRMP-XF TRAILER	
REV	DATE	FINISH		G.V.W.R.: 2760lbs	
11	08/05/15			SIZE	FSCM NO.
CAD CODE 200242		DO NOT SCALE DRAWING		D	200242
				SCALE	DWG. NO.
				1/8	200242
					SHEET
					1 / 1

DWG. NO. 200242  
 REVISION 11