

8

7

6

5

4

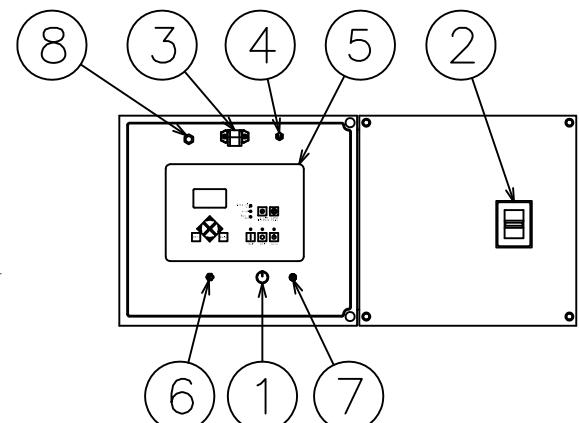
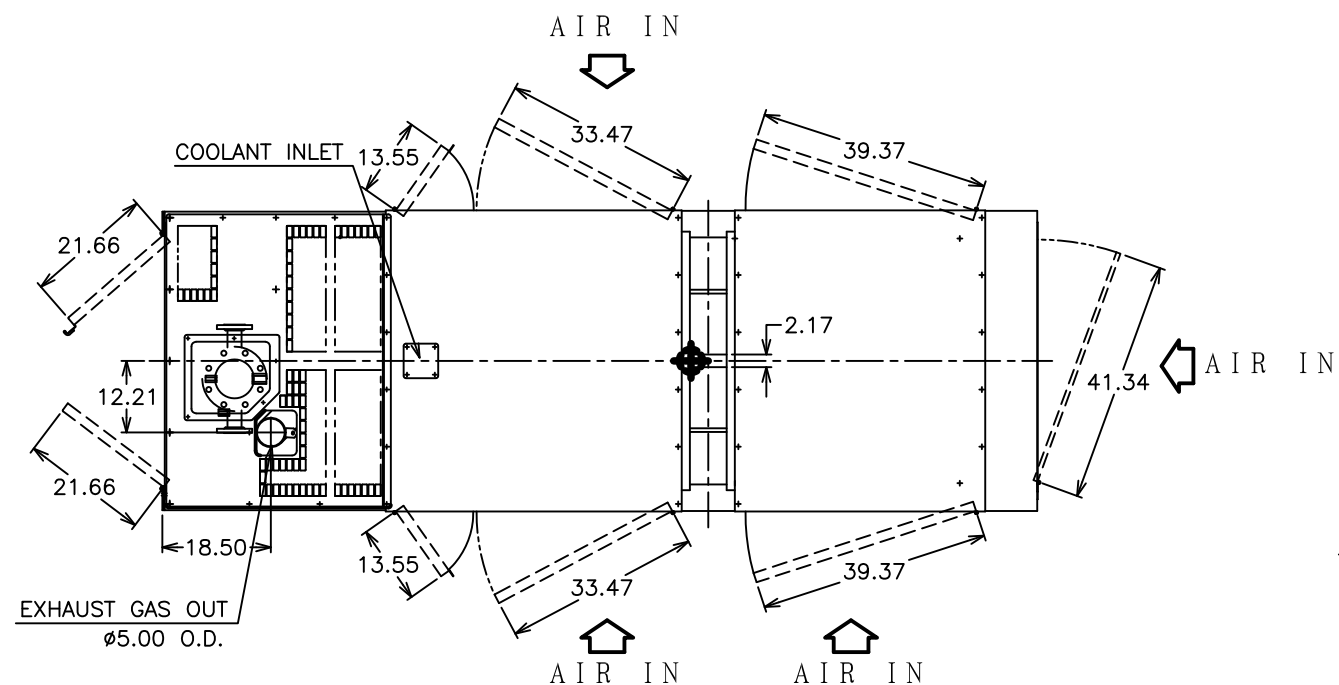
3

202017

1

THIS DRAWING AND THE DATA DISCLOSED HEREIN OR HEREWITH IS CONFIDENTIAL AND PROPRIETARY AND IS NOT TO BE REPRODUCED, USED, OR DISCLOSED IN WHOLE OR IN PART TO ANYONE WITHOUT THE EXPRESSED WRITTEN PERMISSION OF MULTQUIP COMPANY.

CONTROL PANEL	
No.	N A M E
1	VOLTAGE REGULATOR
2	CIRCUIT BREAKER
3	PANEL LIGHT
4	PANEL LIGHT SWITCH
5	DIGITAL CONTROLLER
6	CONTROL POWER SWITCH
7	MALFUNCTION LAMP



D

D

C

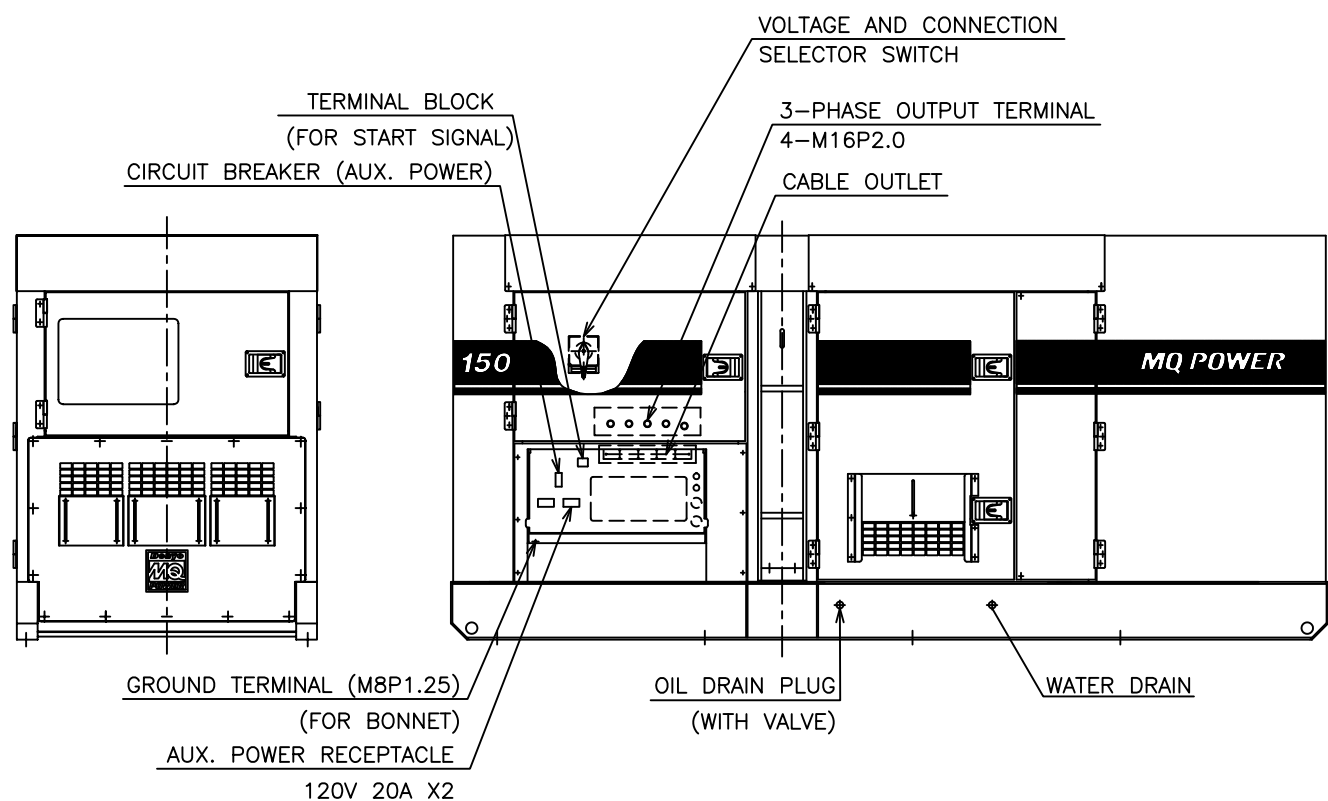
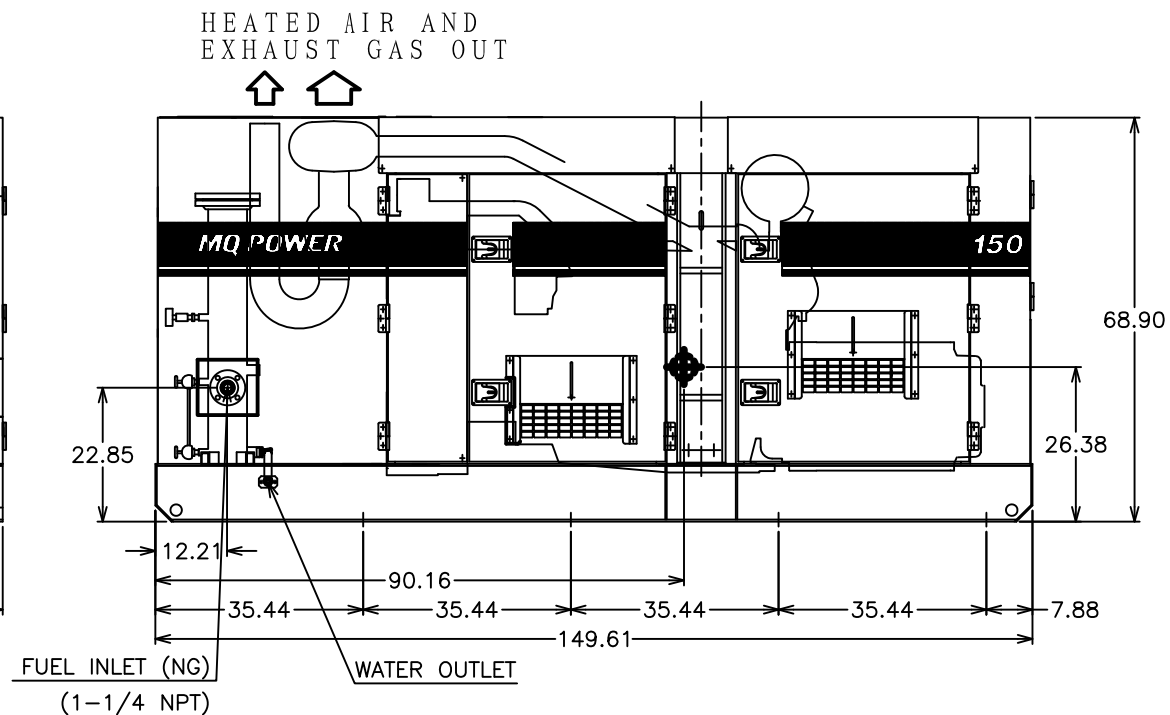
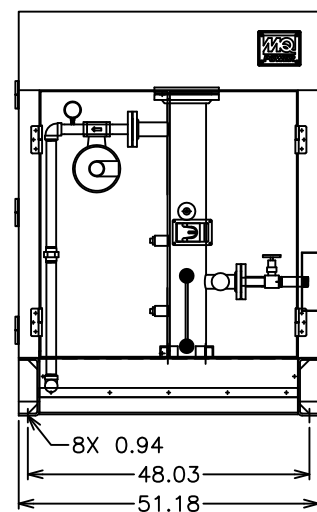
C

B

B

A

A



ENGINE : PSI 8.1LT
 GENERATOR : DB-1651PSI
 FUEL : NATURAL GAS (NG)
 DRY WEIGHT : 7,115 lbs (3 230 kg)
 TOTAL WEIGHT : 7,335 lbs (3 330 kg)
 BATTERY SIZE : 27 (CCA 0°F 800A) X2
 ◆ : CENTER OF GRAVITY (OIL, COOLANT, BATTERY: FULL)

UNLESS OTHERWISE SPECIFIED
 DIMENSIONS ARE IN INCHES
 TOLERANCES ARE :
 FRACTIONS DECIMALS ANGLES
 ± .XX ± ±
 .XXX ±

CUSTOMER
 JOB NO.
 APPROVALS DATE
 J. TRAN 09/11/14

MQ POWER
 TEL: (310) 537-3700/FAX: (310) 632-2656
 18910 WILMINGTON AVENUE
 CARSON, CA 90746

DERIVED FROM
 REV DATE
 CAD CODE 202017
 MATERIAL
 FINISH
 DO NOT SCALE DRAWING

OUTLINE DRAWING
 NGA-150SSPU GENSET
 SIZE D
 SCALE 1/14
 FSCM NO.
 DWG. NO. 202017
 SHEET 1/1

8

7

6

5

4

3

2

1

202017