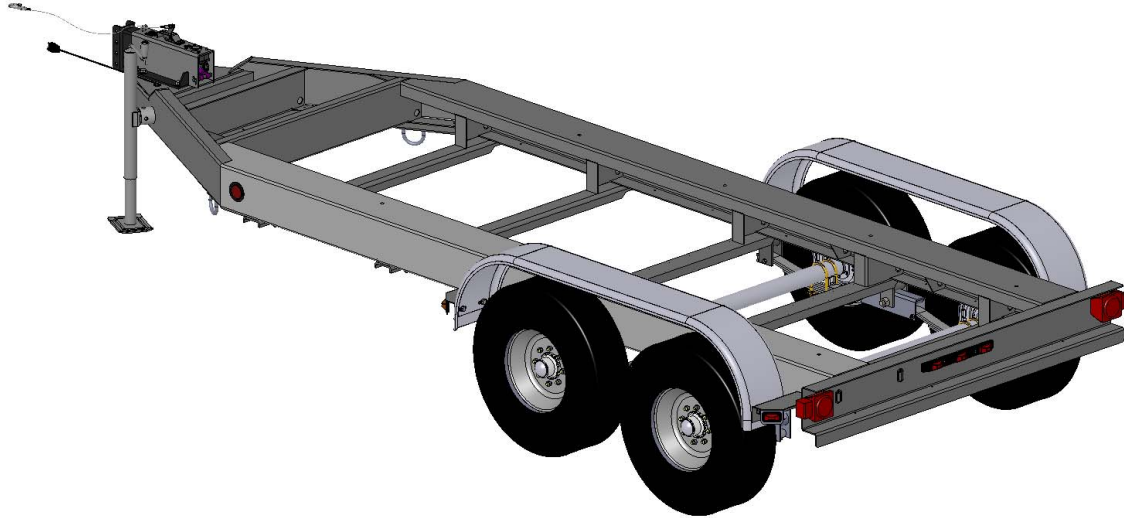




# TRLR150

## MQ POWER Tandem Axle Trailer



### TRLR150 Technical Data

Gross Vehicle Weight Rating (GVWR) — 10,000 lbs (4,536 kg)	Tire Size — ST235/80R16 LR-E
Gross Axle Weight Rating (GAWR) — 6,000 lbs (2,722 kg) (ea.)	Wheel Bolt Pattern — 8 Lug on 6.5 in
Actuator Rating — 12,500 lbs (5,670 kg)	Tire Load Rating — 3,500 lbs/1,588 kg (ea.)
Coupler Rating — See coupler options on back page	Dimensions (LxWxH) — See back page

### STANDARD TRAILER EQUIPMENT

- Fits MQ Power Generator Model NGA150
- Tandem-axle Design with Leaf Spring Suspension
- H.D. Welded Steel Frame Construction
- Structural Channel for Generator Mounting and Support
- Replaceable, Bolt-on Hydraulic Brake Actuator
- Surge Hydraulic-actuated Drum Brakes (all axles)
- Hydraulic Uni-servo Drum Brakes with Free-backing Plates-12-inch Cluster
- D.O.T. Steel Brake Lines, Brass Tees and Rubber Hydraulic Brake Hoses
- 4-hole Channel Allows 3-position, Adjustable Coupler Height; 4-inches O/A
- Tongue Mounted Swivel Jack with Flat Disc-foot (rated 5,000 pound lift)
- Replaceable Bolt-on Steel Fenders
- Powder Coat Paint Process including: Frame, Channel, Actuator and Fenders
- D.O.T. Approved Tail Lamps, Stop Lamps, Turn Signal Lamps, Side Marker Lamps
- Weatherproof, Rubber Armored, 3-piece Trailer Light Wiring Harness

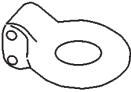
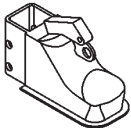


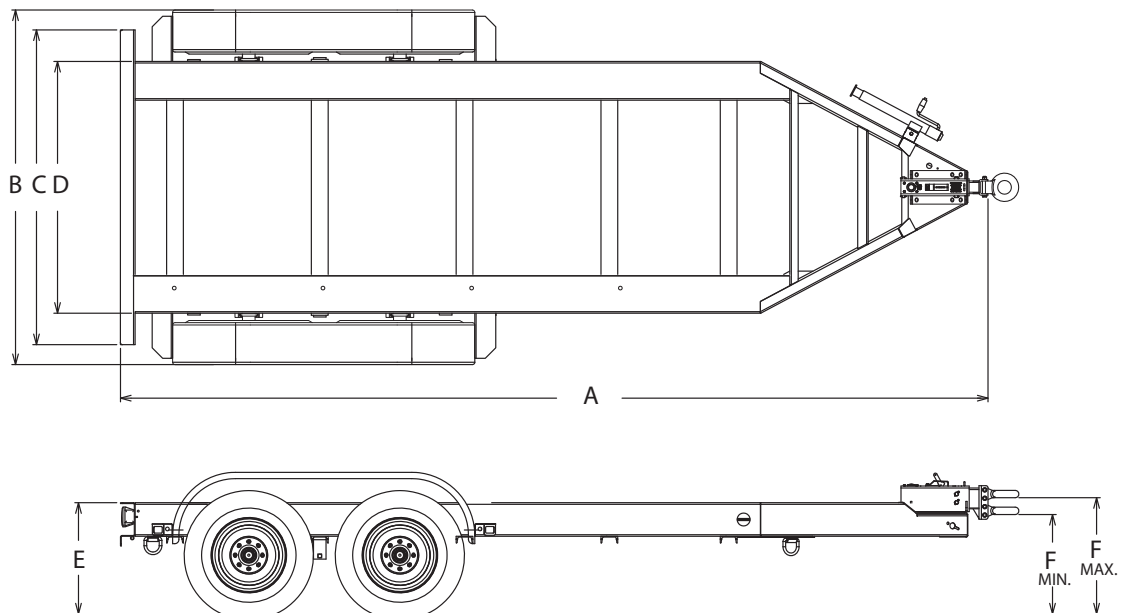
# TRLR150

## MQ POWER Tandem Axle Trailer

### OPTIONAL TRAILER EQUIPMENT

- Bolt-on Electric Brake Coupler Plate with Electric-actuated Drum brakes (all axles)
- Electric Breakaway Safety Device (electric-actuated brakes)
- Adjustable 2 5/16-inch Ball Coupler
- Adjustable 3-inch Pintle-eye Coupler
- Rear Stabilizer Stands
- Tongue-Mounted Utility Storage Box
- Anti-Theft Wheel Lock
- Spare Tire with Locking Mount

Coupler Options	
3" PINTLE EYE 20,000 lbs	
#EE36264	
2-5/16" BALL COUPLER 14,000 lbs	
#EE43253	



Trailer Weight
1,650 lbs. (749 kg)*

\* Weight is approximate

Trailer Dimensions						
A	B	C	D	E	F	
					Min	Max
206.8 in.	84.5 in.	75 in.	60 in.	26.5 in.	23.7 in.	27.7 in.

Your MultiQuip dealer is:



MULTIQUIP  
 POST OFFICE BOX 6254  
 CARSON, CA 90749  
 310-537-3700 • 800-883-2551  
 FAX: 310-604-3831  
 E-MAIL: sales@multiquip.com  
 WEBSITE: www.multiquip.com