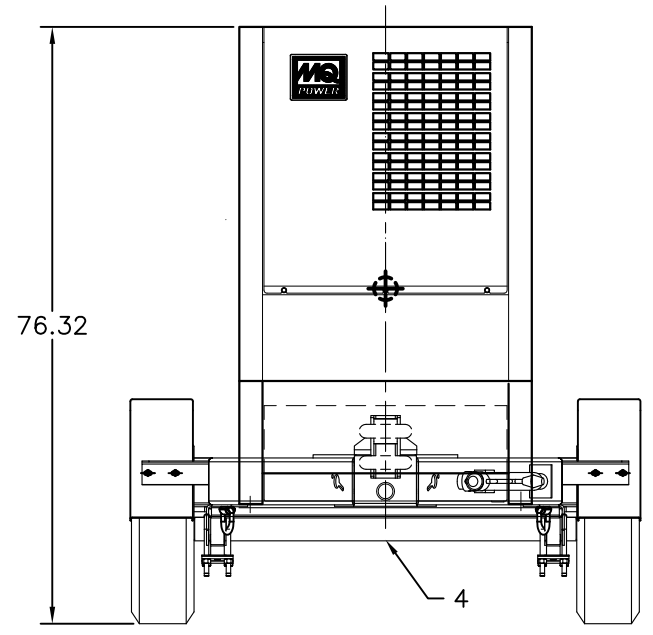
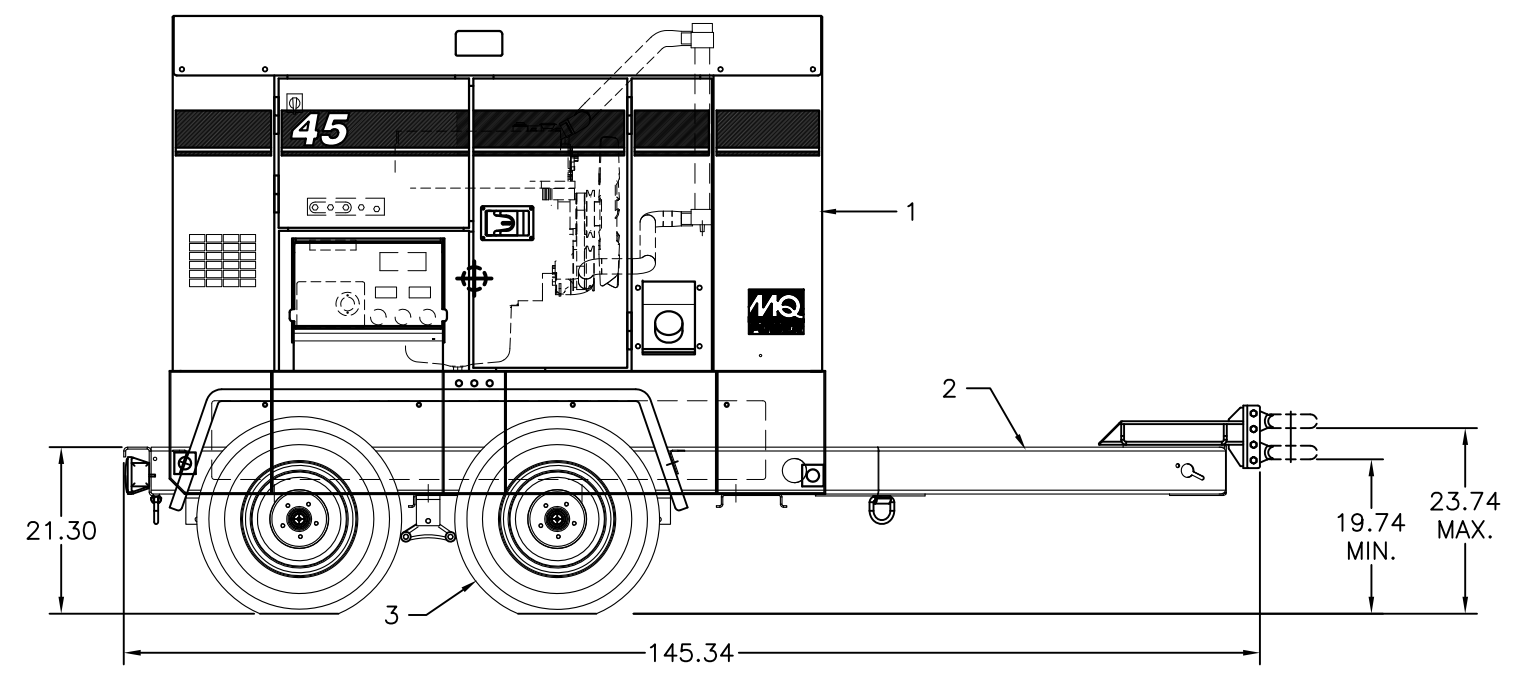
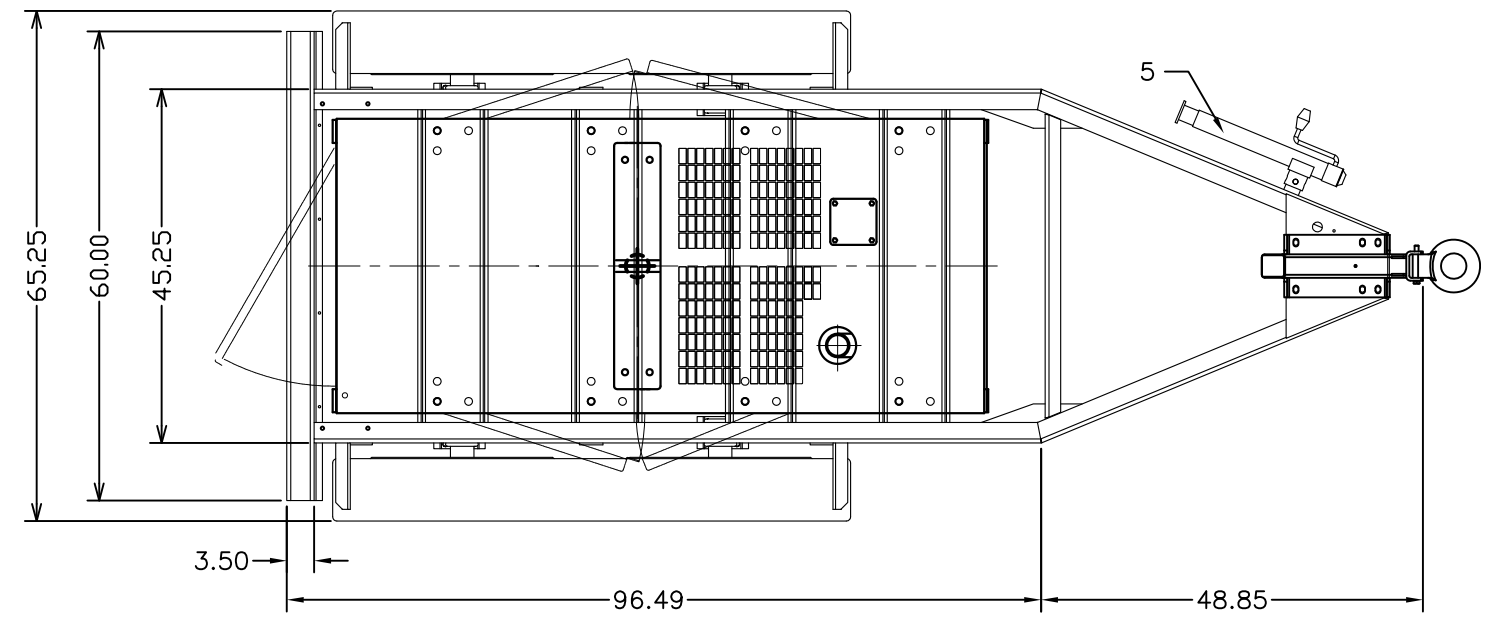


THIS DRAWING AND THE DATA DISCLOSED HEREIN OR HEREWITH IS CONFIDENTIAL AND PROPRIETARY AND IS NOT TO BE REPRODUCED, USED, OR DISCLOSED IN WHOLE OR IN PART TO ANYONE WITHOUT THE EXPRESSED WRITTEN PERMISSION OF MULTIQUIP COMPANY.

| PART LISTS | | | | |
|------------|-----------------------|-----|--|-------------|
| ITEM | PART NUMBER | QTY | DESCRIPTION | MANUFACTURE |
| 1 | DCA45USI4CAN (TIER 4) | 1 | 45KVA GENSET 45USI4CAN GENSET WEIGHT (DRY): 2,886lbs | MQ POWER |
| 2 | TRLR45E | 1 | TRAILER (MODEL: TRLR45E) TRAILER WT. ONLY: 1,043lbs G.V.W.R.: 7,000lbs TONGUE WT.: OVERALL DIMENSION: 146L X 66W X 77H | MQ POWER |
| 3 | EE44304 | 4 | TIRE ST205/75D14 "C", 1,760# RATING WHEEL 14" X 6" | TREDIT TIRE |
| 4 | EE55969 | 2 | ELECTRIC AXLE, 3,500lbs RATING | DEXTER AXLE |
| 5 | EE43517 | 1 | 3K JACK CEQUENT | CEQUENT |
| 6 | | 1 | SEE HITCH OPTION TABLE | |



| HITCH OPTIONS | |
|---|--|
| 3' ADJUSTABLE EYE 20,000lbs (EE36264 - PRIMED) | |
| 2' BALL COUPLER 10,000lbs (EE43254 - PLATED) | |
| 2-5/16" BALL COUPLER 14,000lbs (EE43253 - PLATED) | |

| | | | | | | |
|--|----------------------|-----------|----------|---|----------|--------------------|
| UNLESS OTHERWISE SPECIFIED DIMENSIONS ARE IN INCHES TOLERANCES ARE : | | CUSTOMER | | MQ POWER TEL: (310) 537-3700/FAX: (310) 632-2656 18910 WILMINGTON AVENUE CARSON, CA 90746 | | |
| FRACTIONS | DECIMALS | ANGLES | JOB NO. | | | |
| ± | .XX ± | ± | | | | |
| | .XXX ± | | | | | |
| DERIVED FROM | MATERIAL | APPROVALS | DATE | DCA45USI4CAN GENSET MTD ON TRLR45 ELEC. TRAILER | | |
| REV | DATE | J. TRAN | 12/10/13 | | | |
| CAD CODE 201892 | DO NOT SCALE DRAWING | CHECKED | | SIZE D | FSCM NO. | DWG. NO. 201892 |
| | | SALESMAN | | SCALE 1/12 | | SHEET 1 / 1 |