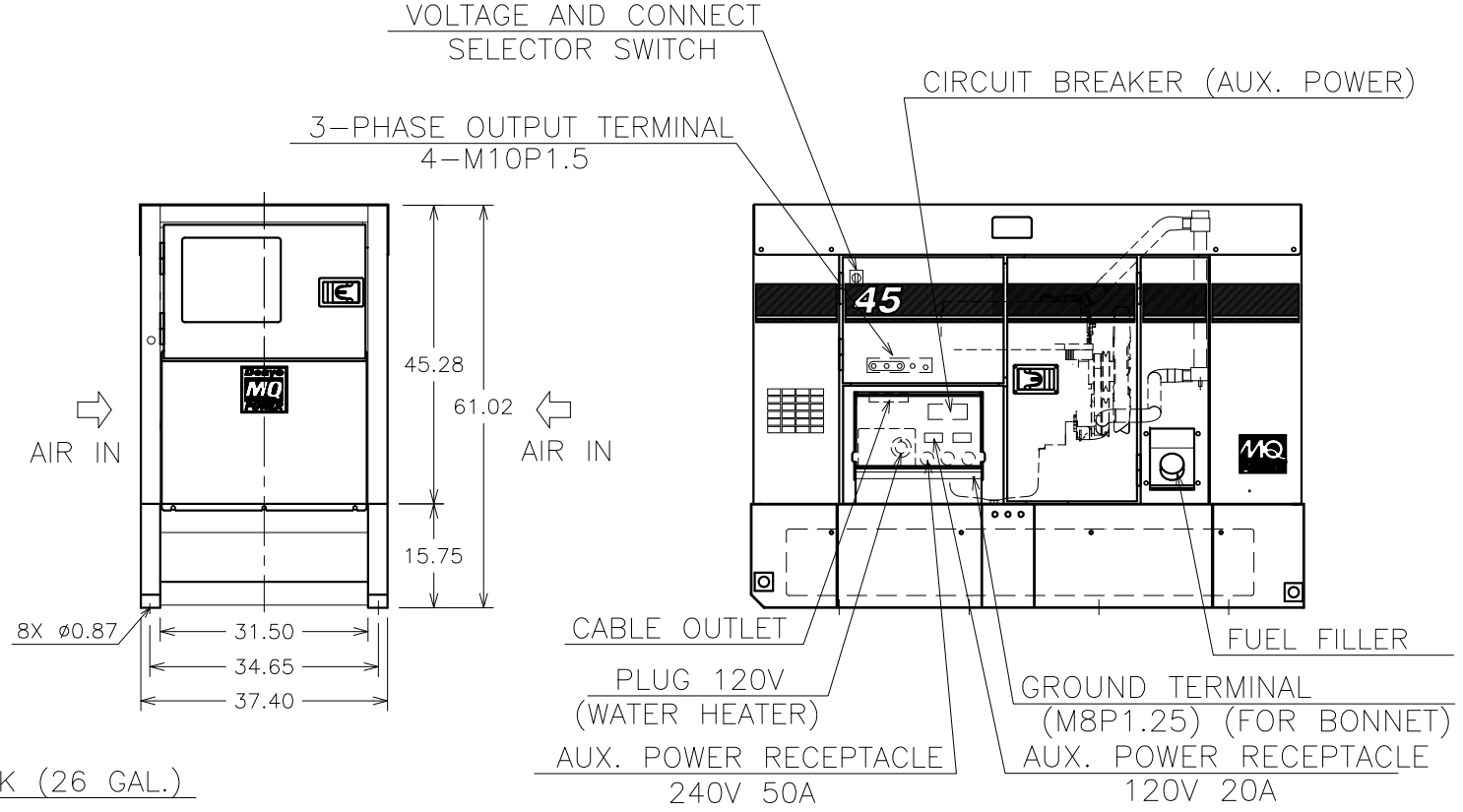
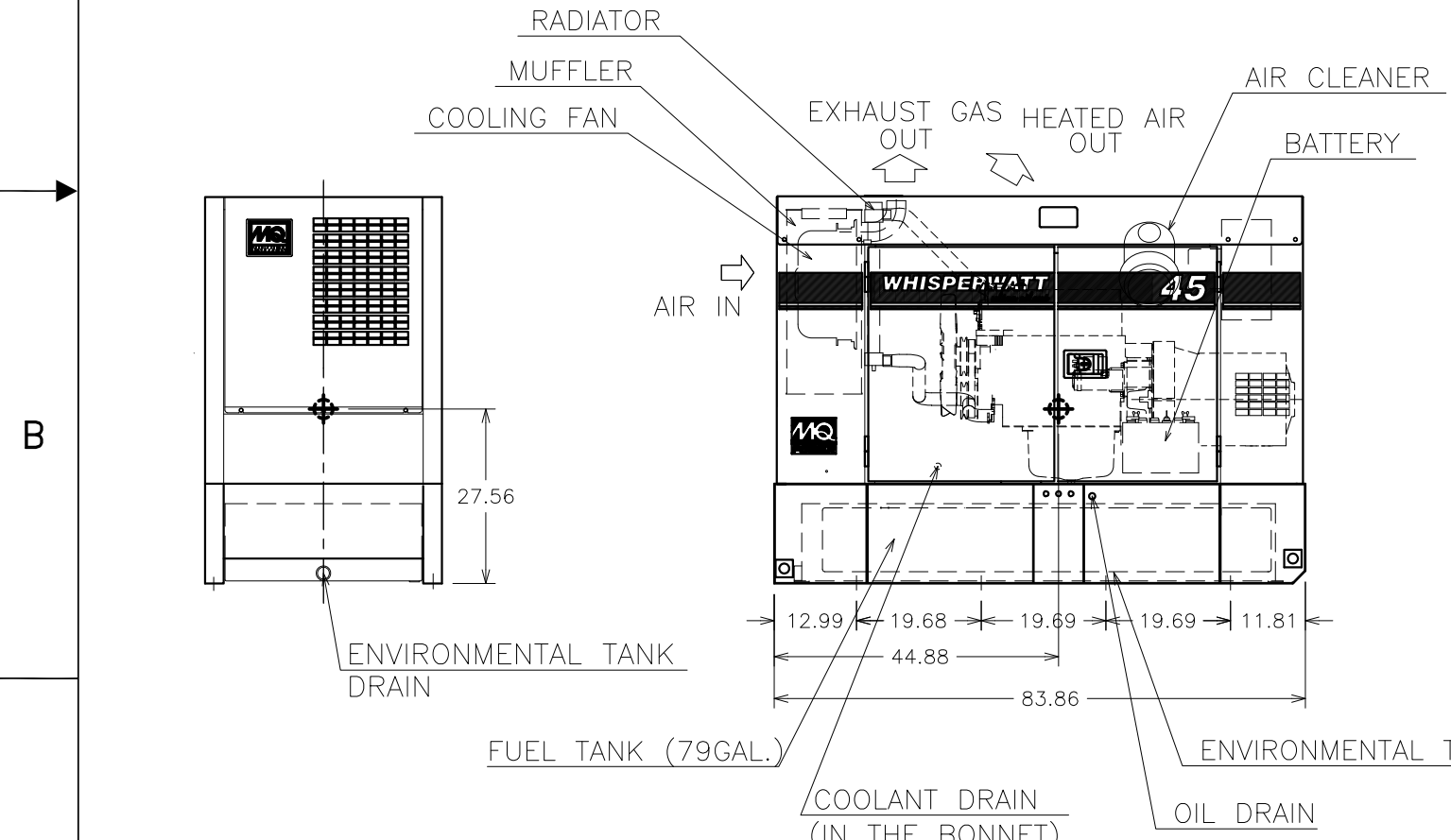
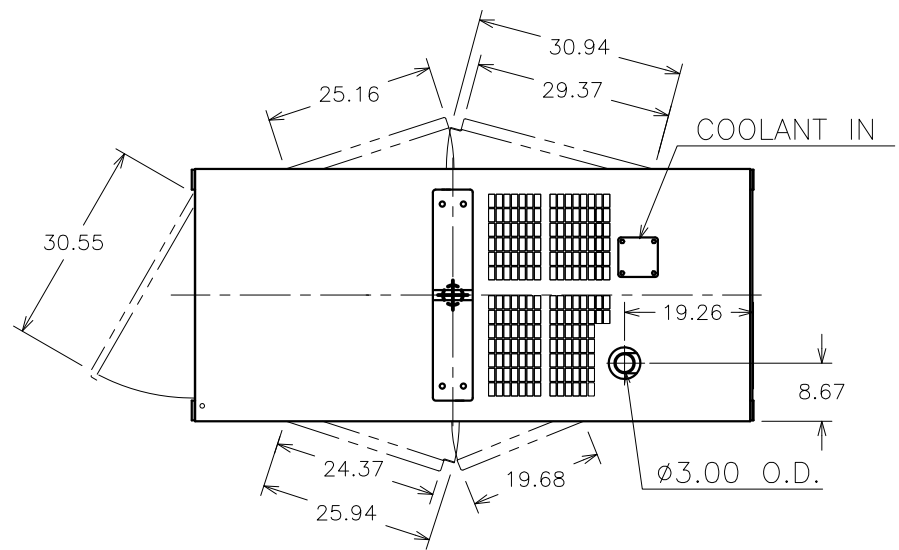
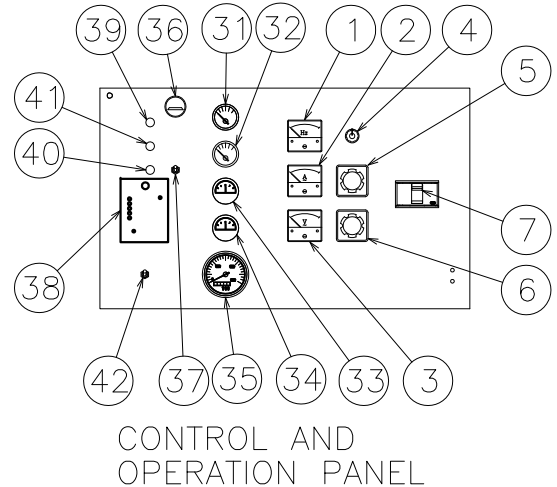


THIS DRAWING AND THE DATA DISCLOSED HEREIN OR HEREWITH IS CONFIDENTIAL AND PROPRIETARY AND IS NOT TO BE REPRODUCED, USED, OR DISCLOSED IN WHOLE OR IN PART TO ANYONE WITHOUT THE EXPRESSED WRITTEN PERMISSION OF MULTIQUIP COMPANY.

| | | | | | |
|----------|-----|-------------|------|----------|--|
| DWG. NO. | | 201882 | | REVISION | |
| ZONE | LTR | DESCRIPTION | DATE | APPROVED | |
| | | | | | |

| CONTROL PANEL | | OPERATING PANEL | |
|---------------|------------------------------|-----------------|---|
| NO. | NAME | NO. | NAME |
| 1 | FREQUENCY METER | 31 | OIL PRESSURE GAUGE |
| 2 | AC AMMETER | 32 | WATER TEMP. GAUGE |
| 3 | AC VOLTMETER | 33 | CHARGING AMMETER |
| 4 | VOLTAGE REGULATOR | 34 | FUEL GAUGE |
| 5 | AMMETER CHANGE-OVER SWITCH | 35 | TACHOMETER |
| 6 | VOLTMETER CHANGE-OVER SWITCH | 36 | PANEL LIGHT |
| 7 | CIRCUIT BREAKER | 37 | PANEL LIGHT SWITCH |
| | | 38 | AUTO START/STOP CONTROLLER (ECU CONTROLLER) |
| | | 39 | PREHEAT LAMP |
| | | 40 | FUEL LEAK DETECTED ALARM LAMP |
| | | 41 | WARNING LAMP |
| | | 42 | ENGINE SPEED SWITCH |



ENGINE : ISUZU 4JJ1T
 GENERATOR : DH-0480I
 DRY WEIGHT : 2,886 lbs.
 FUEL TANK : 79 Gal.
 BATTERY SIZE: 27 (CCA 0°F 800A) X 1
 ⊕ : CENTER OF GRAVITY (FUEL: HALF; OIL, COOLANT, BATTERY: FULL)

| | | | | | |
|--|----------------------|-----------|----------|---|----------|
| UNLESS OTHERWISE SPECIFIED DIMENSIONS ARE IN INCHES TOLERANCES ARE : | | CUSTOMER | | MQ POWER TEL: (310) 537-3700/FAX: (310) 632-2656 18910 WILMINGTON AVENUE CARSON, CA 90746 | |
| FRACTIONS | DECIMALS | ANGLES | JOB NO. | | |
| ± | .XX ± | ± | | | |
| | .XXX ± | | | | |
| DERIVED FROM DENYO | MATERIAL | APPROVALS | DATE | OUTLINE DRAWING DCA45USI4CAN (TIER 4) | |
| REV | DATE | DRAWN | | SIZE | FSCM NO. |
| | | J. TRAN | 10/28/13 | D | |
| CAD CODE | FINISH | CHECKED | | DWG. NO. | |
| 201882 | DO NOT SCALE DRAWING | SALESMAN | | 201882 | |
| | | | | SCALE | SHEET |
| | | | | 1/14 | 1 / 1 |

DWG. NO. 201882