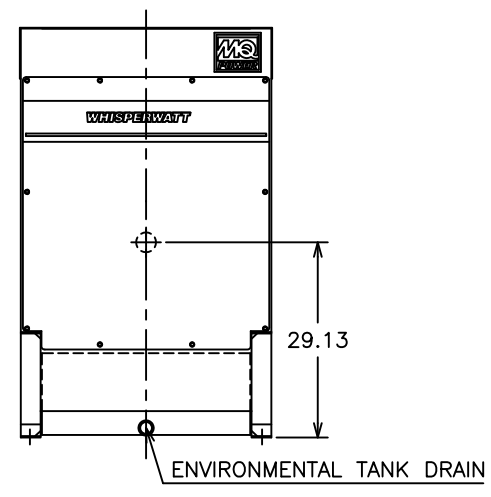
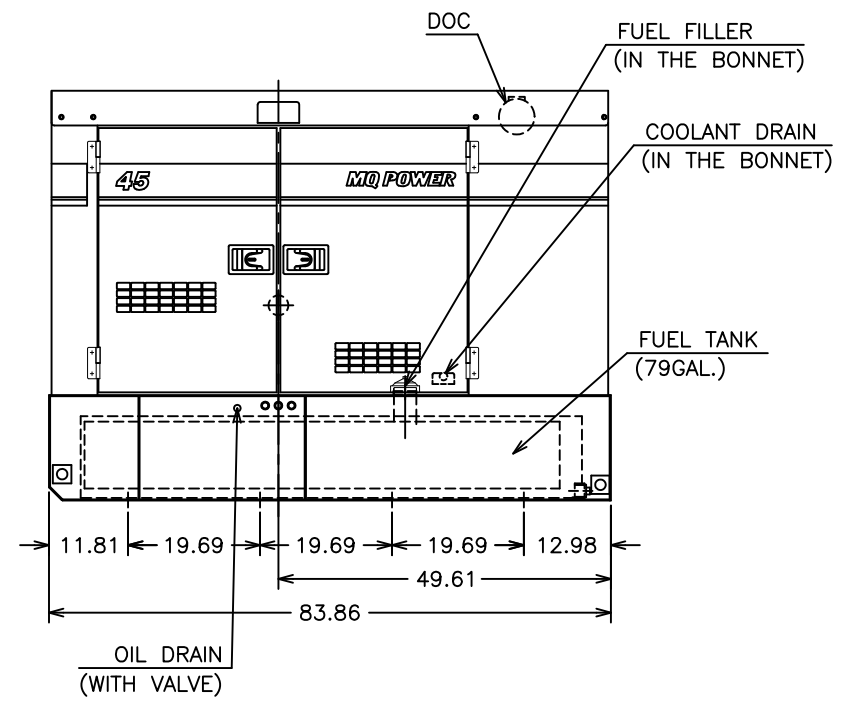
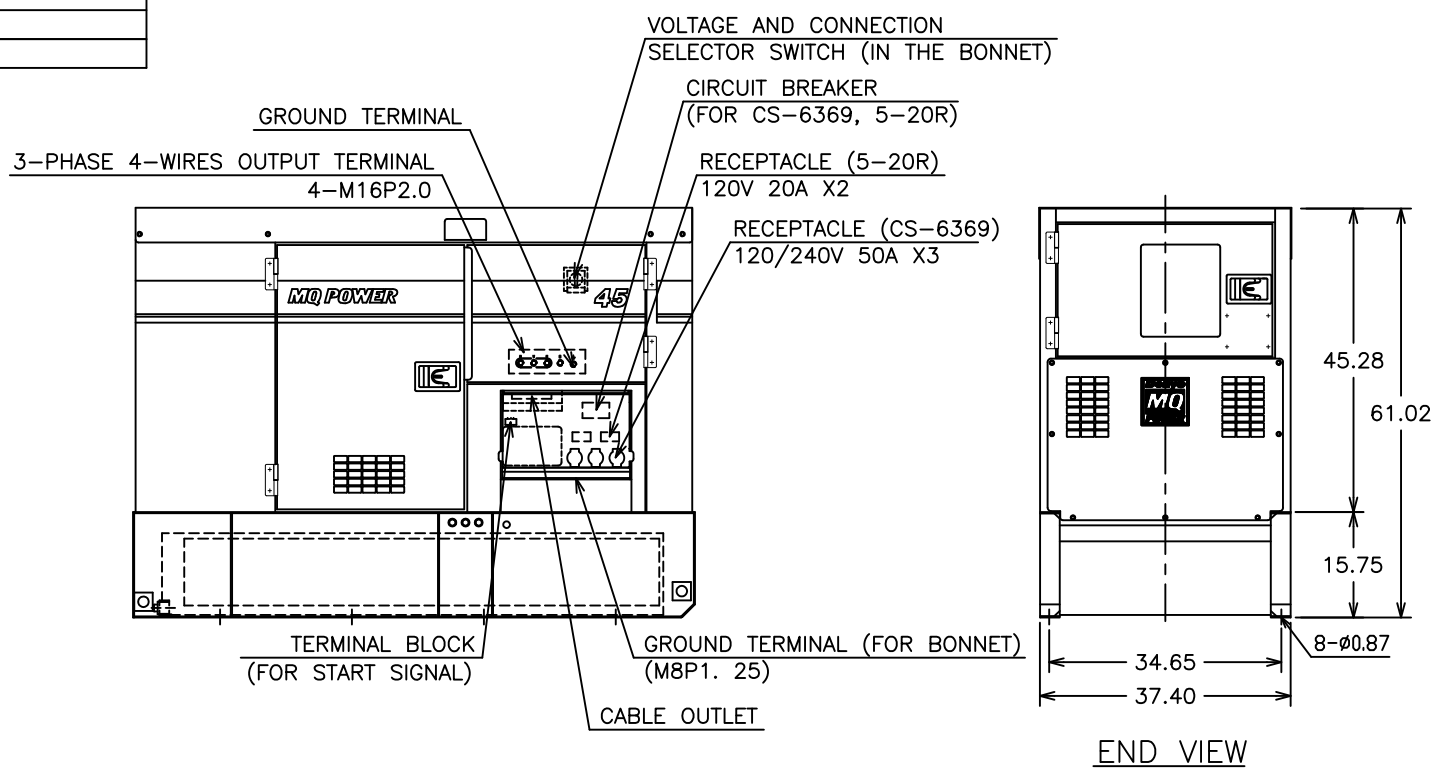
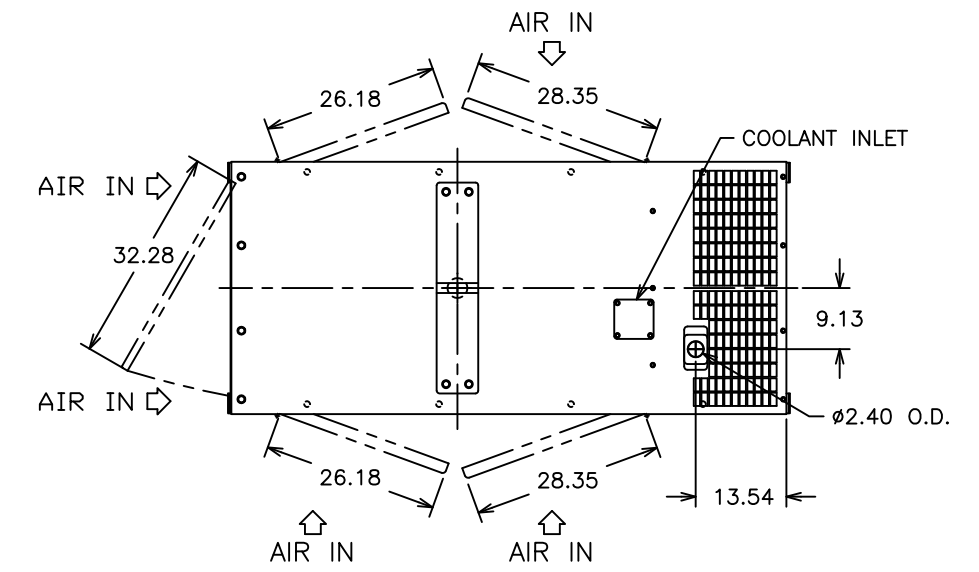
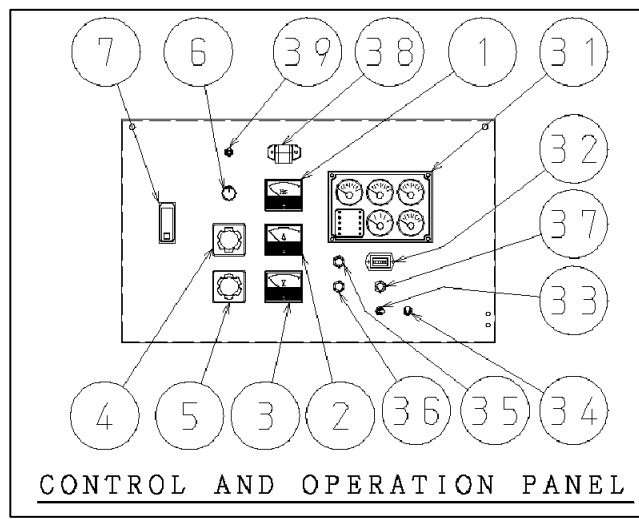


THIS DRAWING AND THE DATA DISCLOSED HEREIN OR HEREWITH IS CONFIDENTIAL AND PROPRIETARY AND IS NOT TO BE REPRODUCED, USED, OR DISCLOSED IN WHOLE OR IN PART TO ANYONE WITHOUT THE EXPRESSED WRITTEN PERMISSION OF MULTIQUIP COMPANY.

DWG. NO.		201829		REVISION		A	
ZONE	LTR	DESCRIPTION	DATE	APPROVED			
A	FINALIZED		7/10/13	JT			

CONTROL PANEL		OPERATING PANEL	
No	NAME	No	NAME
1	FREQUENCY METER	31	AUTO START/STOP CONTROLLER (ECU-750)
2	AC AMMETER		(GAUGE ASSEMBLY UNIT)
3	AC VOLTMETER		* OIL PRESSURE GAUGE
4	AMMETER, CHANGE-OVER SWITCH		* WATER TEMPERATURE GAUGE
5	VOLTMETER, CHANGE-OVER SWITCH		* CHARGING VOLTMETER
6	VOLTAGE REGULATOR		* FUEL GAUGE
7	CIRCUIT BREAKER (3-PHASE)		* TACHOMETER (WARNING LAMP)
			* LOW OIL PRESSURE
			* HIGH COOLANT TEMPERATURE
			* OVER CRANK
			* OVER SPEED (LAMP)
			* ENGINE RUNNING
		32	HOUR METER
		33	AUTO START/STOP SWITCH
		34	ENGINE SPEED SWITCH
		35	FUEL LEAK DETECTED ALARM LAMP
		36	WARNING LAMP (DIAGNOSTIC)
		37	PRE-HEAT LAMP
		38	PANEL LIGHT
		39	PANEL LIGHT SWITCH



ENGINE : ISUZU 4LE2X  
 GENERATOR : DH-04801  
 DRY WEIGHT : 2,335 lbs.  
 TOTAL WEIGHT : 2,974 lbs.  
 FUEL TANK : 79.3 Gal.  
 BATTERY SIZE : 27 (CCA 0°F 800A) X1

⊕ : CENTER OF GRAVITY (FUEL: HALF; OIL, COOLANT, BATTERY: FULL)

UNLESS OTHERWISE SPECIFIED DIMENSIONS ARE IN INCHES TOLERANCES ARE :		CUSTOMER		 TEL: (310) 537-3700/FAX: (310) 632-2656 18910 WILMINGTON AVENUE CARSON, CA 90746	
FRACTIONS	DECIMALS	ANGLES	JOB NO.		
±	.XX ±	±			
	.XXX ±				
DERIVED FROM DENYO M18043 00213		MATERIAL		APPROVALS	
REV	DATE	FINISH		DATE	
A	7/10/13			03/11/13	
CAD CODE 201829		DO NOT SCALE DRAWING		SALESMAN	
				OUTLINE DRAWING DCA45SSIU4F	
				SIZE D	
				SCALE 1/14	
				DWG. NO. 201829	
				SHEET 1 / 1	

DWG. NO. 201829