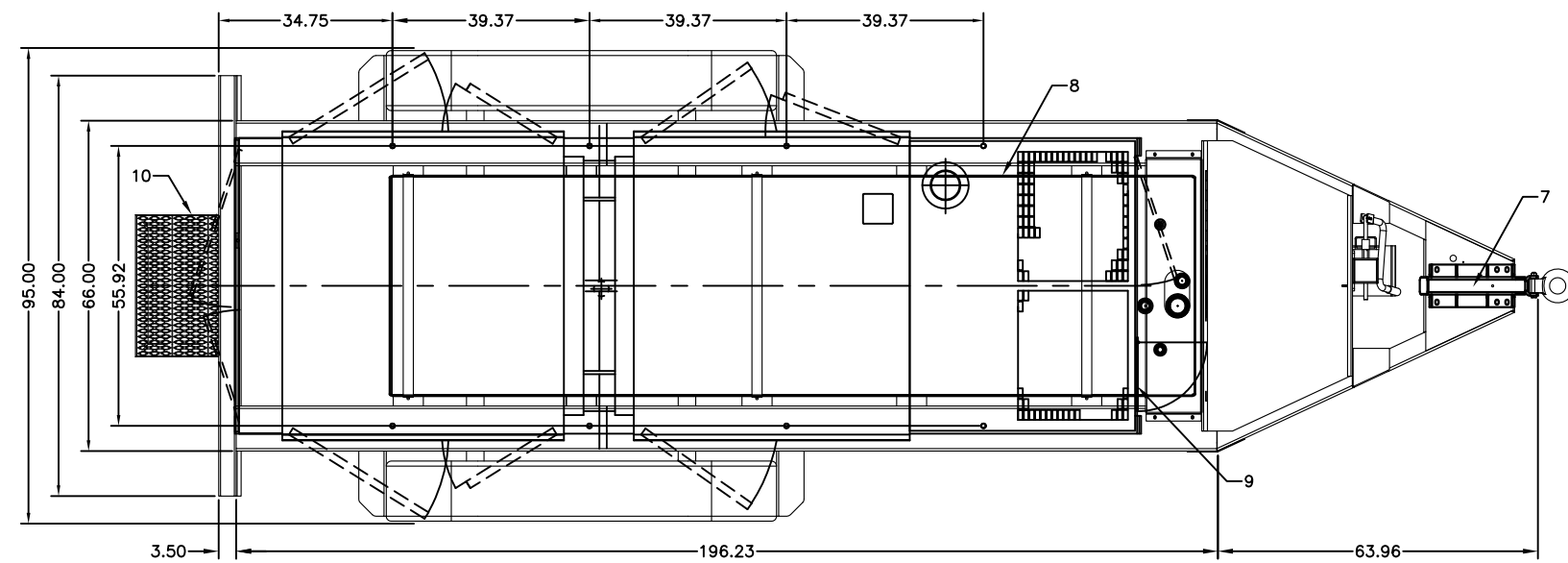
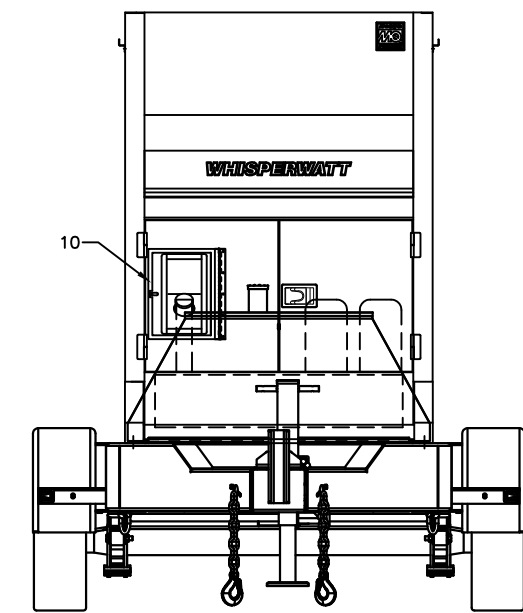
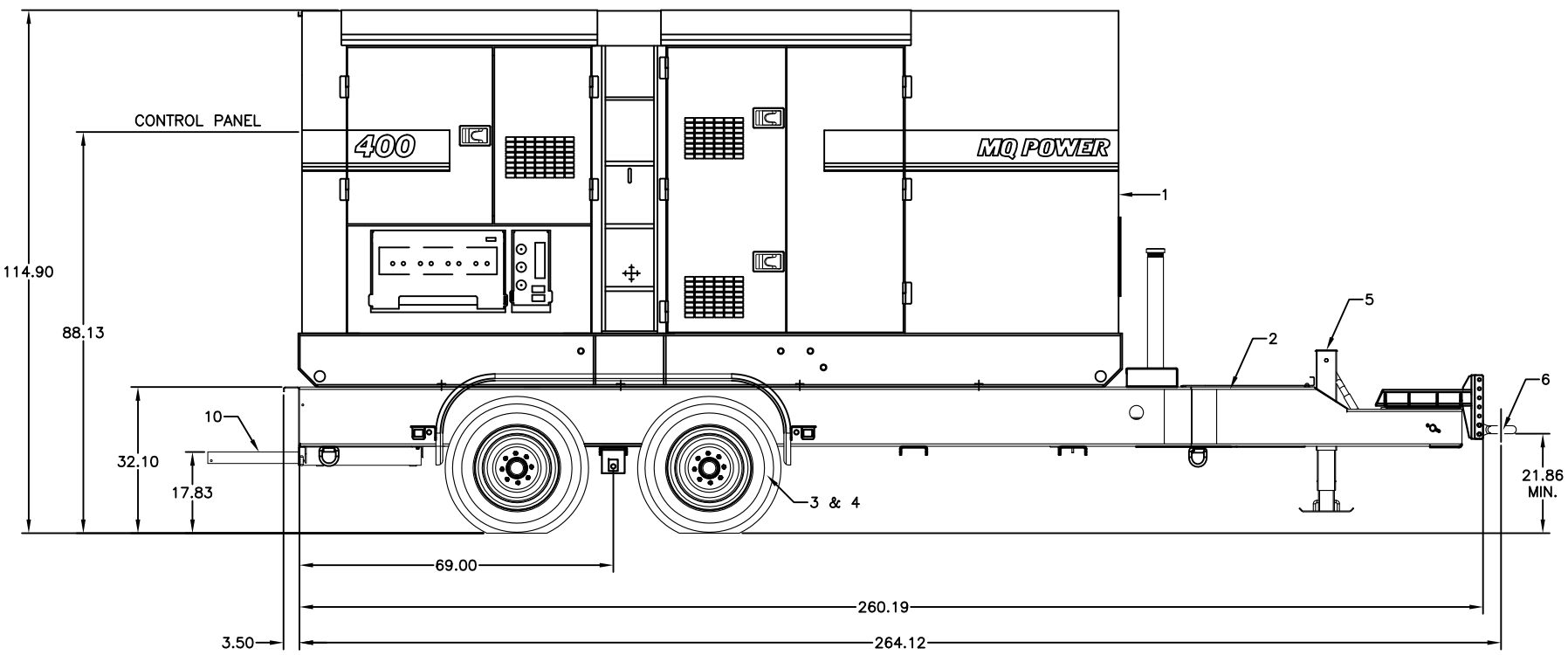


THIS DRAWING AND THE DATA DISCLOSED HEREIN OR HEREWITH IS CONFIDENTIAL AND PROPRIETARY AND IS NOT TO BE REPRODUCED, USED, OR DISCLOSED IN WHOLE OR IN PART TO ANYONE WITHOUT THE EXPRESSED WRITTEN PERMISSION OF MULTQUIP COMPANY.



PART LISTS				
ITEM	PART NUMBER	QTY	DESCRIPTION	MANUFACTURE
1	DCA400SSI4F (TIER 4F)	1	400KVA GENSET 400SSI4F GENSET WEIGHT (WET): 13,172lbs	MQ POWER
2	TRLR400XF2E	1	TRAILER (MODEL: TRLR400XF2E) TRAILER WT. (APPROX.): XXXXlbs G.V.W.R.: 20,000lbs TONGUE WT.: OVERALL DIMENSION: 264L X 95W X 115H	MARKSMAN MFG
3		4	TIRE: 235/75R17.5 "H", 6005lbs WHEEL: 16 X 6	MARKSMAN MFG
4		2	ELECTRIC AXLE, 10,000lbs RATING	MARKSMAN MFG
5		1	HEAVY DUTY DROPLEG - 10K JACK	MARKSMAN MFG
6		1	3" ADJUSTABLE EYE	MARKSMAN MFG
7	EE57858	1	ADAPTOR, 7 HOLE ELECTRIC HITCH	MQ POWER
8		1	FUEL TANK CAPACITY: 350GAL.	MARKSMAN MFG
9	EE58677	1	COVER, PAD LOCK (OPTION)	MQP
10	EE58674	1	ASSY, STEP, TRLR-400	MQP



UNLESS OTHERWISE SPECIFIED DIMENSIONS ARE IN INCHES TOLERANCES ARE :		CUSTOMER		<b>MQ POWER</b> TEL: (310) 537-3700/FAX: (310) 632-2656 18910 WILMINGTON AVENUE CARSON, CA 90746		
FRACTIONS	DECIMALS	ANGLES	JOB NO.			
±	.XX ±	±		J. TRAN	04/27/15	DCA400SSI4F GENSET W/ STEP-ON MTD ON TRLR400XF2E TRAILER
	.XXX ±			CHECKED		SIZE D
DERIVED FROM	MATERIAL	FINISH	SALESMAN	SCALE		FSCM NO. 202052
REV A	DATE 09/21/15	DO NOT SCALE DRAWING		SCALE 1/16		DWG. NO. 202052 SHEET 1 / 1
CAD CODE 202052A						

DWG. NO. 202052 REVISION A