

8

7

6

5

4

3

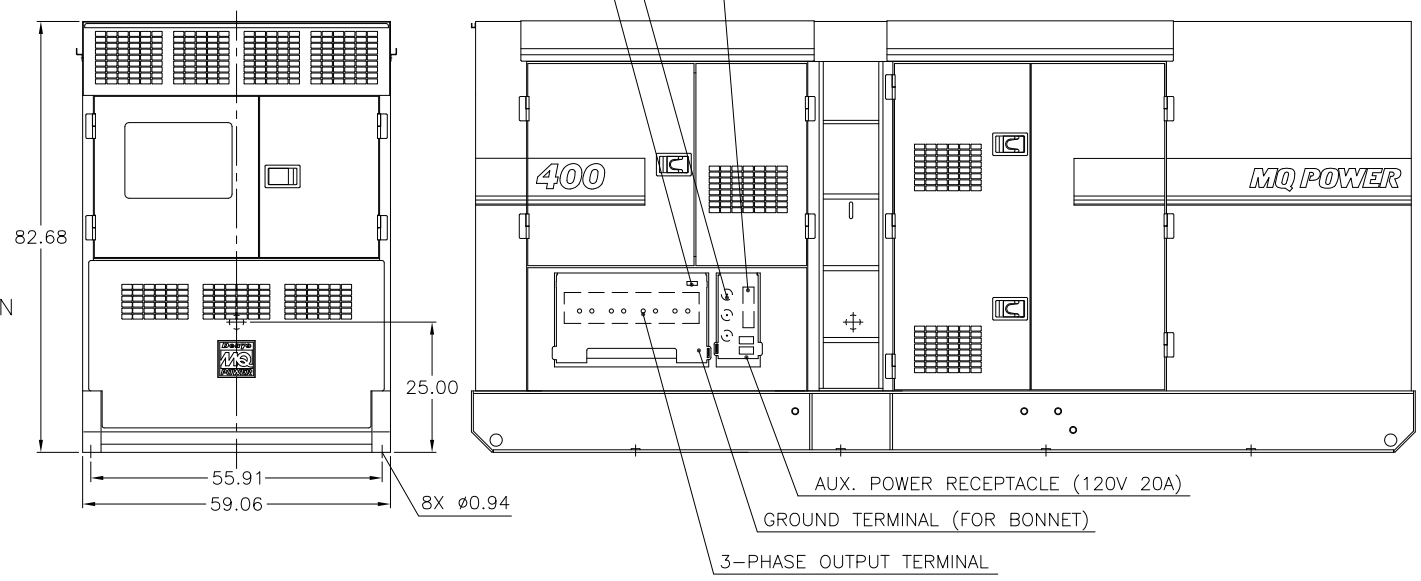
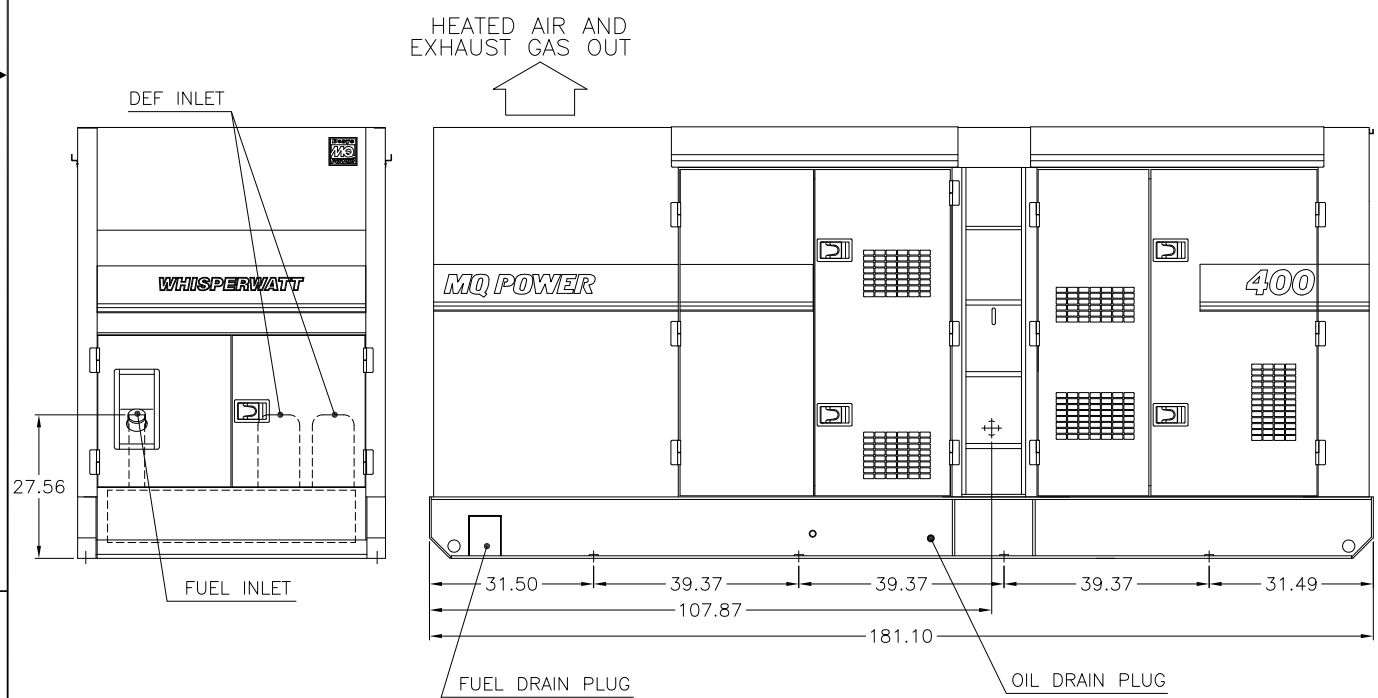
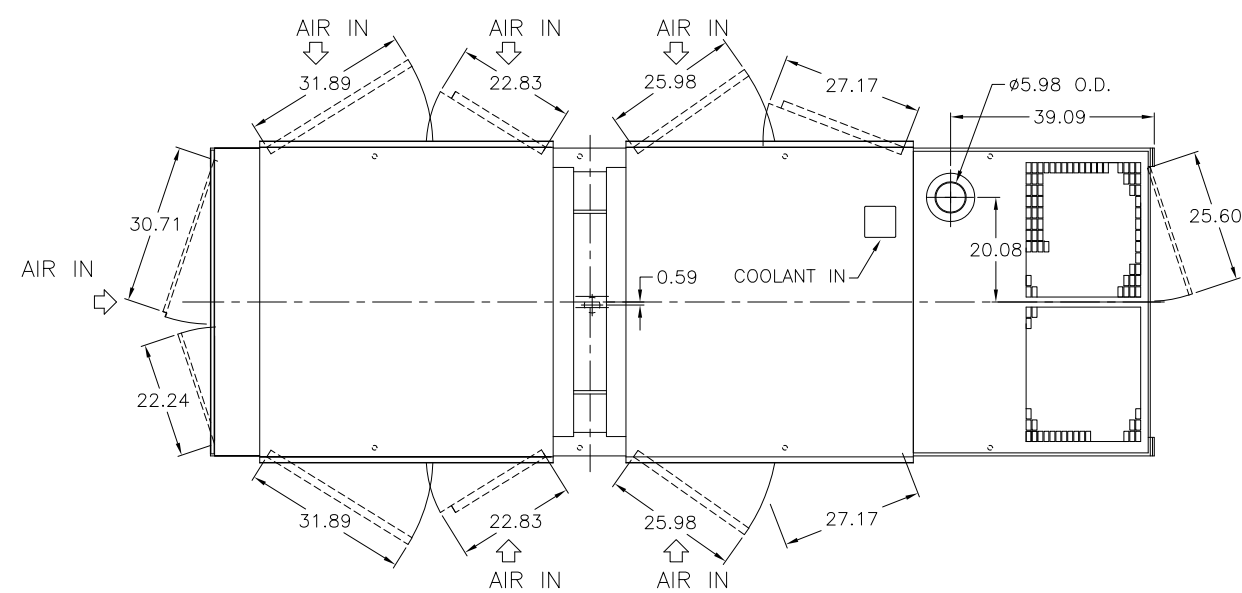
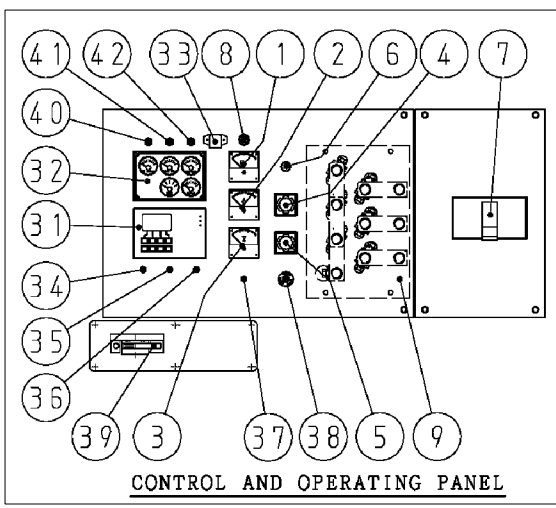
201994

1

THIS DRAWING AND THE DATA DISCLOSED HEREIN OR HEREWITH IS CONFIDENTIAL AND PROPRIETARY AND IS NOT TO BE REPRODUCED, USED, OR DISCLOSED IN WHOLE OR IN PART TO ANYONE WITHOUT THE EXPRESSED WRITTEN PERMISSION OF MULTIQUIP COMPANY.

ZONE		LTR	DESCRIPTION	DATE	APPROVED

CONTROL PANEL		OPERATING PANEL	
NO.	NAME	NO.	NAME
1	FREQUENCY METER	31	AUTO START/STOP CONTROLLER (ECU CONTROLLER)
2	AC AMMETER	32	GAUGE UNIT ASSY * OIL PRESSURE GAUGE * WATER TEMPERATURE GAUGE * CHARGING VOLTMETER * FUEL GAUGE * TACHOMETER
3	AC VOLTMETER	33	PANEL LIGHT
4	AMMETER CHANGE-OVER SWITCH	34	PANEL LIGHT SWITCH
5	VOLTMETER CHANGE-OVER SWITCH	35	HOUR CHECK BUTTON
6	VOLTAGE REGULATOR	36	AUTO START/STOP SWITCH
7	CIRCUIT BREAKER (3 PHASE)	37	ENGINE SPEED SWITCH
8	PILDT LAMP	38	EMERGENCY STOP BUTTON
9	VOLTMETER CHANGE-OVER BOARD (IN CONTROL BOX)	39	BATTERY SWITCH
		40	COOLANT LEVEL ALARM LAMP
		41	PRE-ALARM LAMP
		42	SHUTDOWN LAMP



ENGINE	: ISUZU 6WG1X
GENERATOR	: DF-4400I
BATTERY	: 12V-200Ah X 2
FUEL TANK	: 55.5 Gal. (210L)
DRY WEIGHT	: 12,269lbs (5570Kg)
TOTAL WEIGHT	: 13,172lbs (5980Kg)
DEF TANK	: 14.8 Gal. (56L = 28L x2))
⊕	: CENTER OF GRAVITY

CENTER OF GRAVITY (FUEL: HALF, OIL, COOLANT, BATTERY: FULL)

UNLESS OTHERWISE SPECIFIED DIMENSIONS ARE IN INCHES TOLERANCES ARE :

FRACTIONS	DECIMALS	ANGLES
±	.XX ±	±
	.XXX ±	

DERIVED FROM C38043 07603A	MATERIAL	CUSTOMER
REV	FINISH	JOB NO.
CAD CODE 201994	DO NOT SCALE DRAWING	APPROVALS
		DATE
		8/5/14
		CHECKED
		SALESMAN

**MQ POWER**

TEL: (310) 537-3700/FAX: (310) 632-2656  
18910 WILMINGTON AVENUE  
CARSON, CA 90746

OUTLINE DRAWING  
DCA400SSI4F (TIER 4F)

SIZE	FSCM NO.	DWG. NO.
D		201994
SCALE		SHEET
1/18		1 / 1

8

7

6

5

4

3

2

1

201994

REVISION