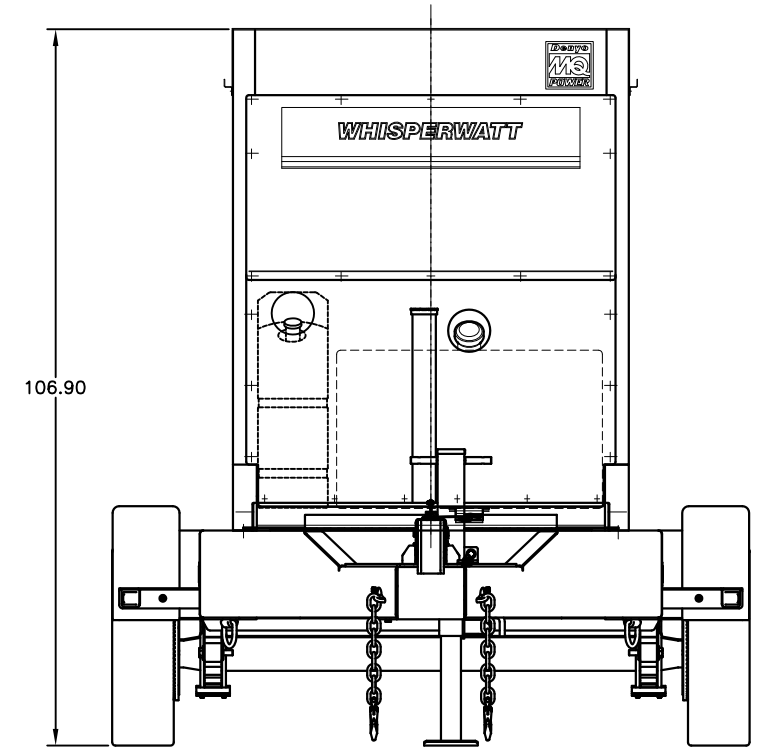
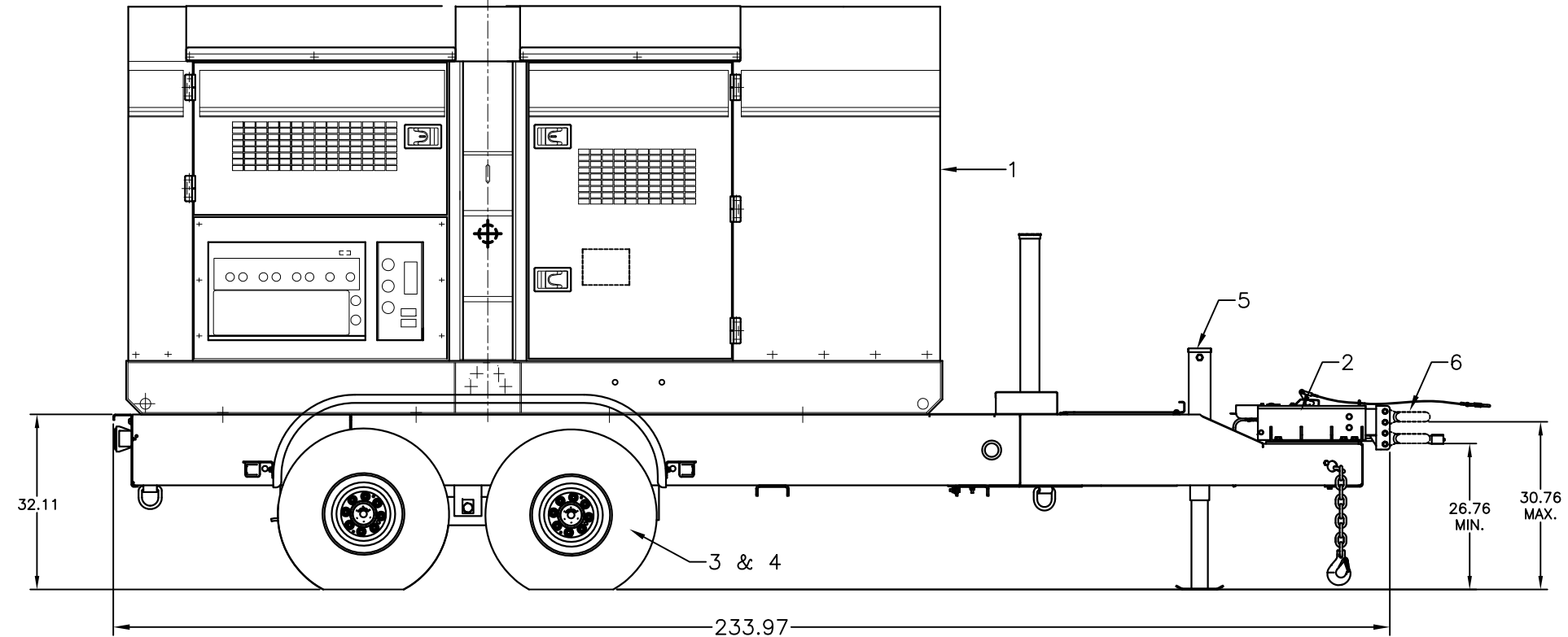
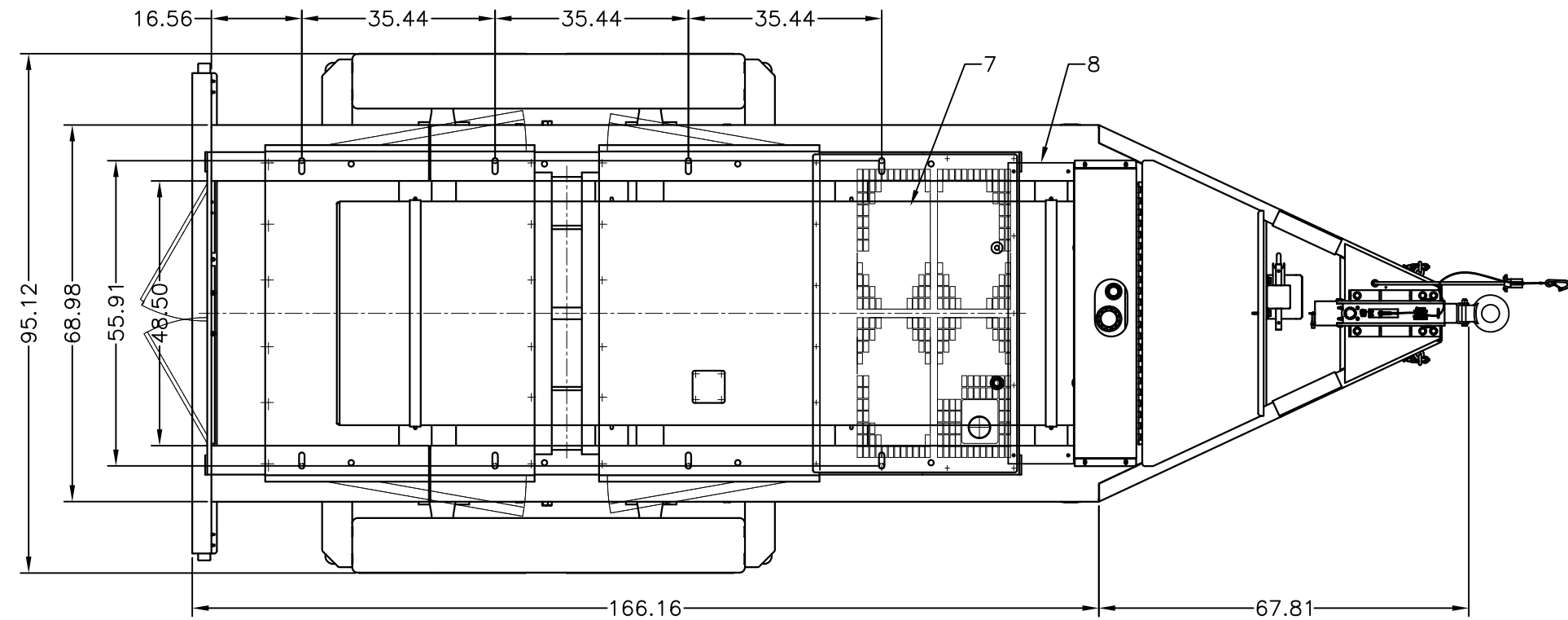


THIS DRAWING AND THE DATA DISCLOSED HEREIN OR HEREWITH IS CONFIDENTIAL AND PROPRIETARY AND IS NOT TO BE REPRODUCED, USED, OR DISCLOSED IN WHOLE OR IN PART TO ANYONE WITHOUT THE EXPRESSED WRITTEN PERMISSION OF MULTQUIP COMPANY.

DWG. NO. 202044

PART LISTS				
ITEM	PART NUMBER	QTY	DESCRIPTION	MANUFACTURE
1	DCA300SSJU4F (TIER 4F)	1	300KVA GENSET 300SSJU4F GENSET WEIGHT (WET): 10,925lbs	MQ POWER
2	TRLR325XFH	1	TRAILER (MODEL: TRLR325XF HYD. BRAKES) TRAILER WT. (APPROX.): 3,760lbs G.V.W.R.: 18,000lbs TONGUE WT.: 790lbs OVERALL DIMENSION: 234L X 96W X 107H	MQ POWER
3	EE47028	4	TIRE: 235/75R17.5 "H", 6005lbs WHEEL: 17.5 X 6.75	TREDIT TIRE
4	EE55502	2	HYDRAULIC AXLE, 10,000lbs RATING	DEXTER AXLE
5	EE46772	1	HEAVY DUTY DROPLEG - 10K JACK	CEQUENT
6	EE36264	1	3" ADJUSTABLE EYE	WALLACE FORGE
7	EE57059	1	FUEL TANK CAPACITY: 300GAL. (UN31A)	MQ POWER
8	EE53593	1	DIAMOND PLATE COVER, 12 X 55-1/8	MQ POWER



UNLESS OTHERWISE SPECIFIED DIMENSIONS ARE IN INCHES TOLERANCES ARE :		CUSTOMER		MQ POWER TEL: (310) 537-3700/FAX: (310) 632-2656 18910 WILMINGTON AVENUE CARSON, CA 90746		
FRACTIONS	DECIMALS	ANGLES	JOB NO.			
±	.XX ±	±		DCA300SSJU4F GENSET MTD ON TRLR325XF HYD. TRAILER		
DERIVED FROM		MATERIAL		DRAWN	DATE	SIZE
REV	DATE	FINISH		J. TRAN	12/11/14	D
CAD CODE 202044		DO NOT SCALE DRAWING		CHECKED		FSCM NO.
				SALESMAN		DWG. NO. 202044
						SHEET
						SCALE 1/14
						1 / 1

DWG. NO. 202044

REVISION

A