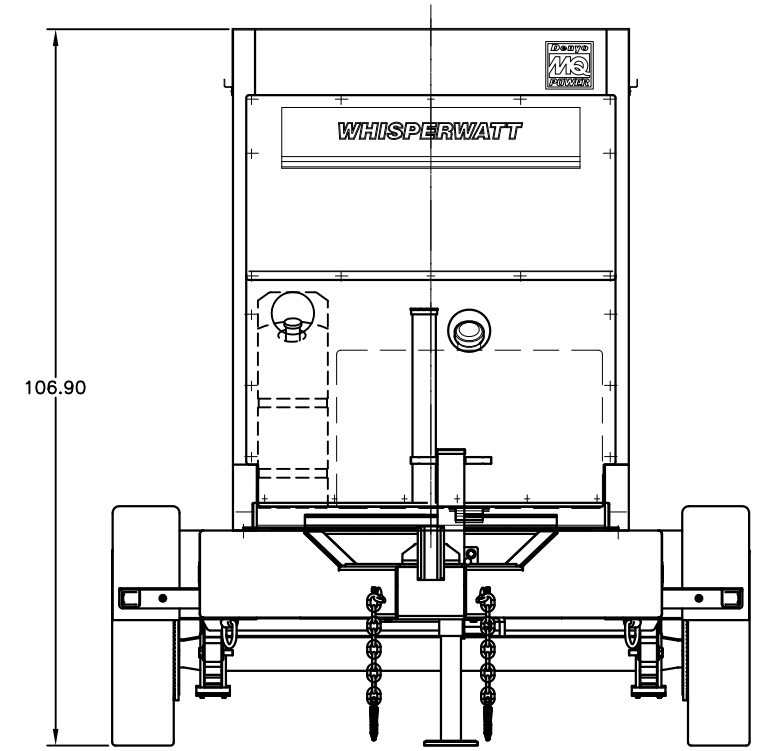
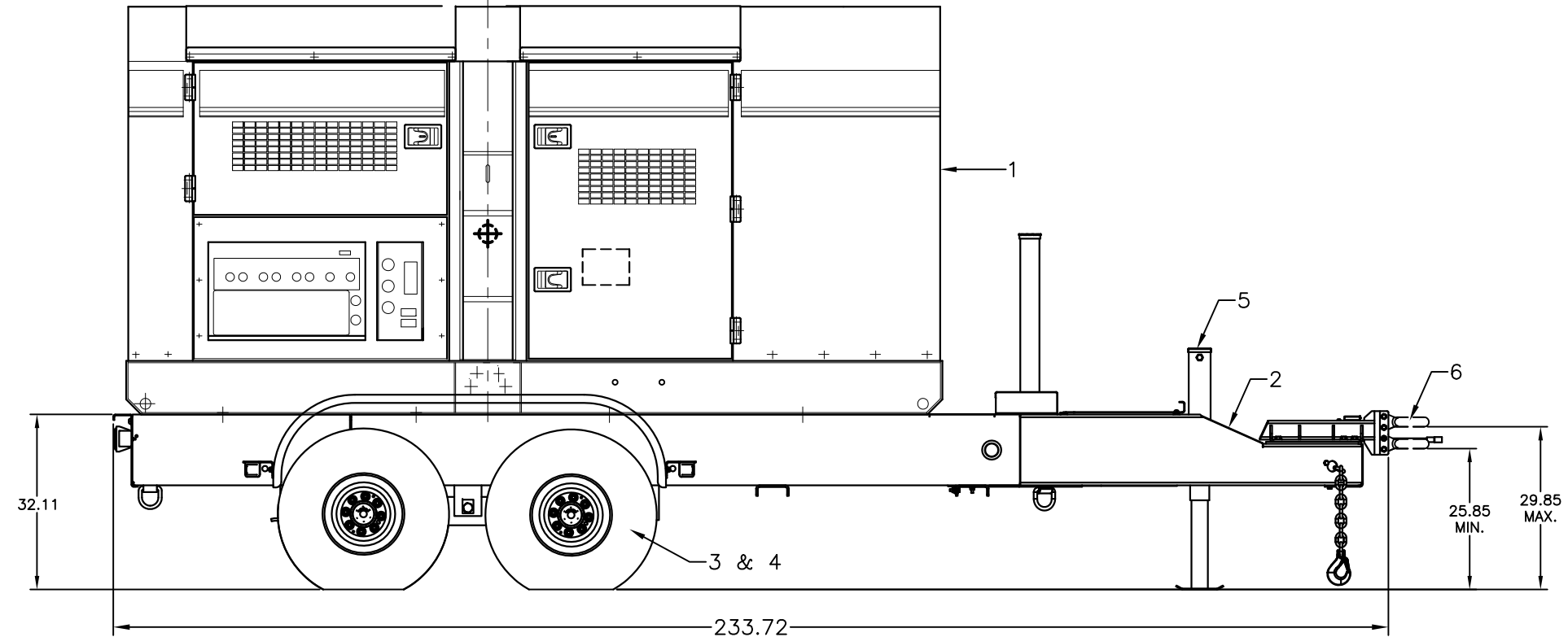
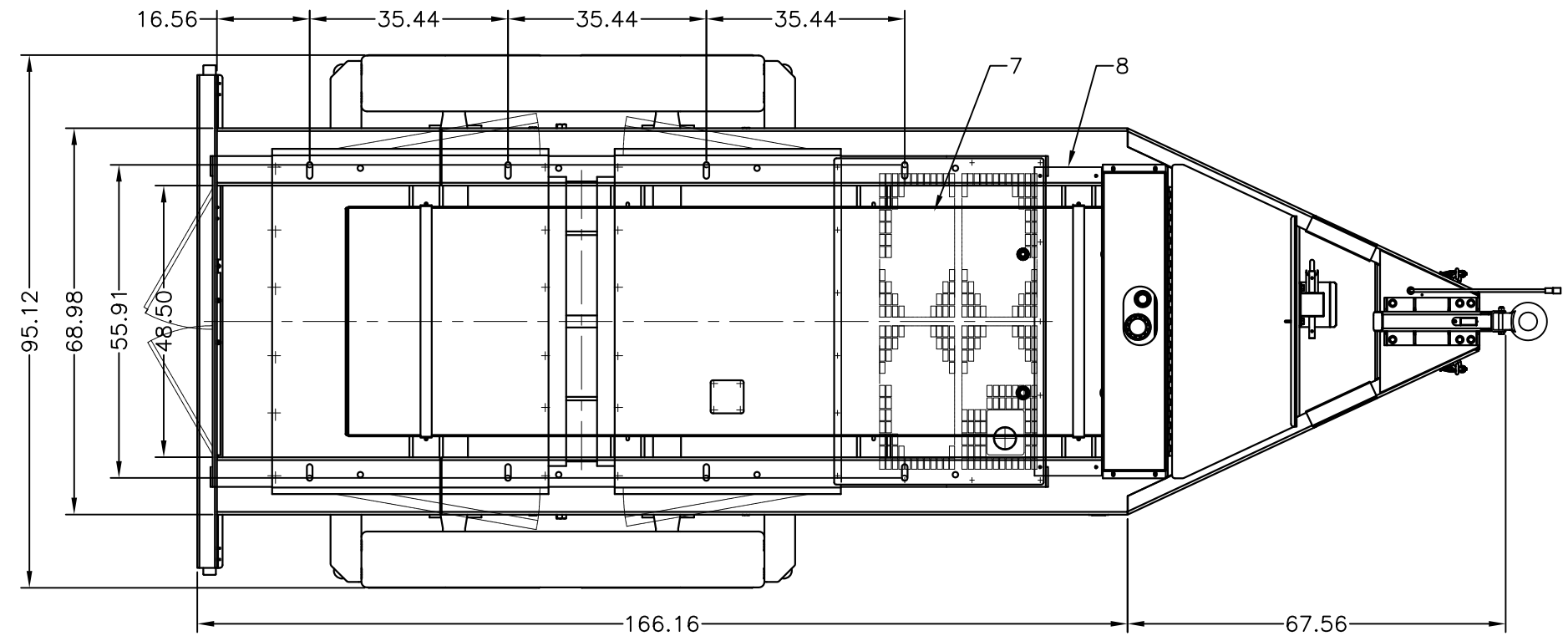


THIS DRAWING AND THE DATA DISCLOSED HEREIN OR HEREWITH IS CONFIDENTIAL AND PROPRIETARY AND IS NOT TO BE REPRODUCED, USED, OR DISCLOSED IN WHOLE OR IN PART TO ANYONE WITHOUT THE EXPRESSED WRITTEN PERMISSION OF MULTQUIP COMPANY.

DWG. NO. 202045

PART LISTS				
ITEM	PART NUMBER	QTY	DESCRIPTION	MANUFACTURE
1	DCA300SSJU4F (TIER 4F)	1	300KVA GENSET 300SSJU4F GENSET WEIGHT (WET): 10,925lbs	MQ POWER
2	TRLR325XFE	1	TRAILER (MODEL: TRLR325XF ELEC. BRAKES) TRAILER WT. (APPROX.): 3,740lbs G.V.W.R.: 18,000lbs TONGUE WT.: XXXlbs OVERALL DIMENSION: 234L X 96W X 107H	MQ POWER
3	EE47028	4	TIRE: 235/75R17.5 "H", 6005lbs WHEEL: 17.5 X 6.75	TASKMASTER
4	EE55502	2	HYDRAULIC AXLE, 10,000lbs RATING	DEXTER AXLE
5	EE46772	1	HEAVY DUTY DROPLEG - 10K JACK	CEQUENT
6	EE36264	1	3" ADJUSTABLE EYE	WALLACE FORGE
7	EE57059	1	FUEL TANK CAPACITY: 300GAL. (UN31A)	MQ POWER
8	EE53593	1	DIAMOND PLATE COVER, 12 X 55-1/8	MQ POWER



UNLESS OTHERWISE SPECIFIED DIMENSIONS ARE IN INCHES TOLERANCES ARE :		CUSTOMER		MQ POWER TEL: (310) 537-3700/FAX: (310) 632-2656 18910 WILMINGTON AVENUE CARSON, CA 90746		
FRACTIONS	DECIMALS	ANGLES	JOB NO.			
±	.XX ±	±		APPROVALS		DATE
	.XXX ±			DRAWN		12/12/14
DERIVED FROM		MATERIAL		DCA300SSJU4F GENSET		
REV	DATE	FINISH		MTD ON TRLR325XF ELEC. TRAILER		
CAD CODE 202045		DO NOT SCALE DRAWING		CHECKED	SIZE D	
				SALESMAN	FSCM NO.	DWG. NO. 202045
				SCALE		SHEET 1 / 1
				1/14		

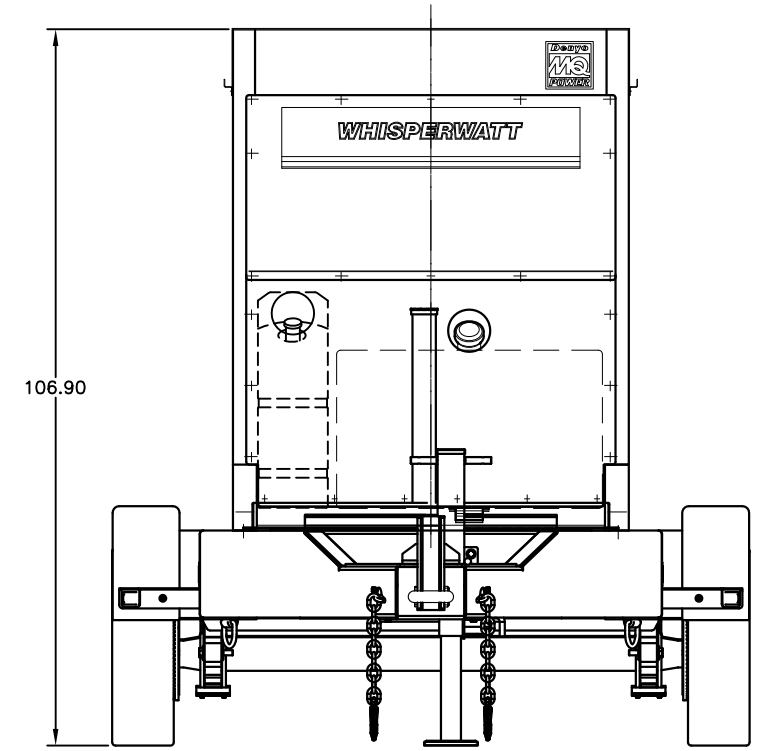
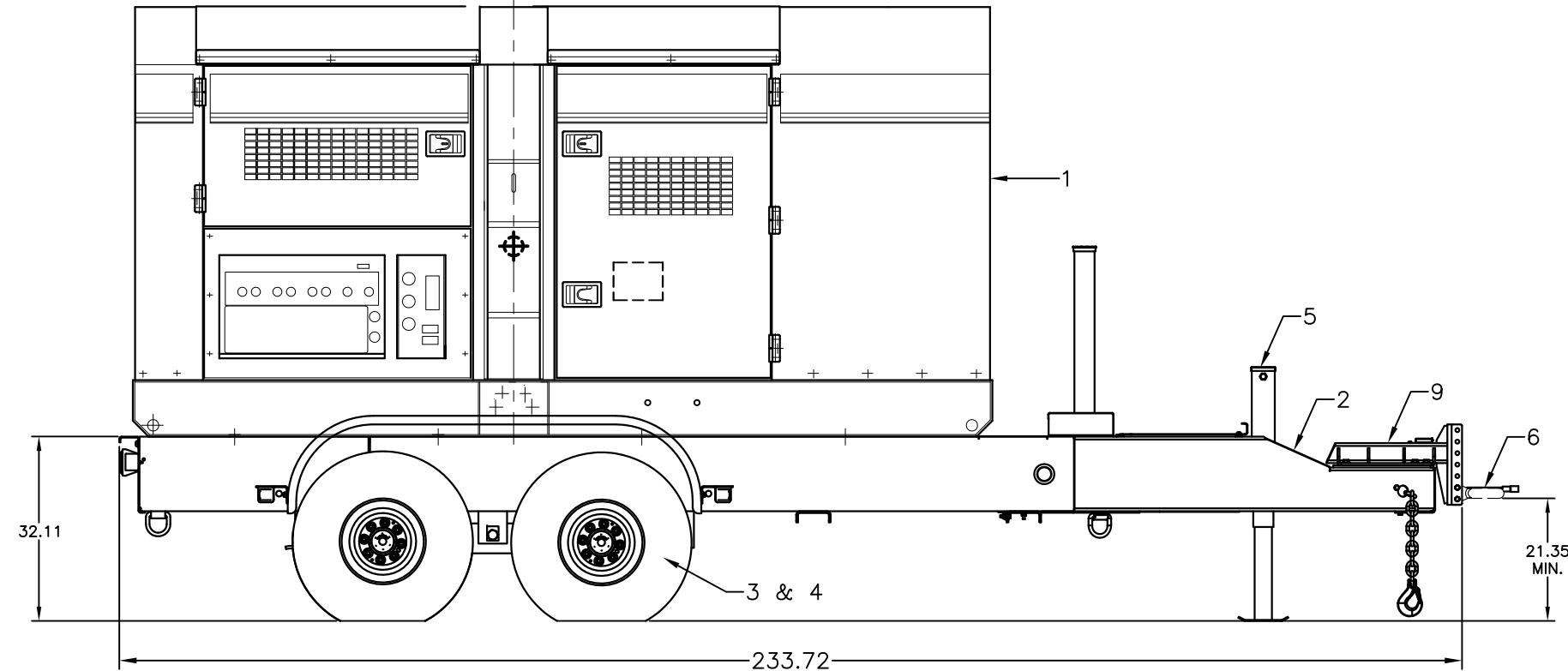
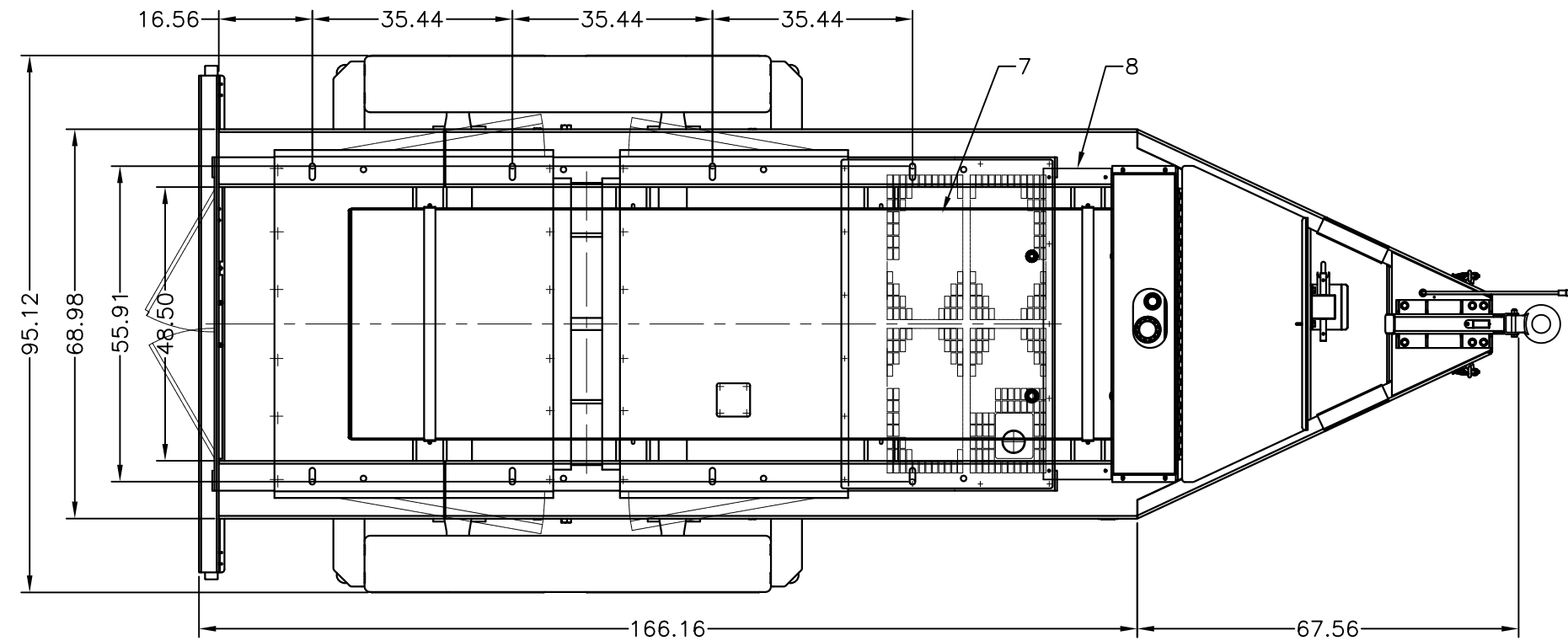
DWG. NO. 202045

A

THIS DRAWING AND THE DATA DISCLOSED HEREIN OR HEREWITH IS CONFIDENTIAL AND PROPRIETARY AND IS NOT TO BE REPRODUCED, USED, OR DISCLOSED IN WHOLE OR IN PART TO ANYONE WITHOUT THE EXPRESSED WRITTEN PERMISSION OF MULTQUIP COMPANY.

DWG. NO. 202045

PART LISTS				
ITEM	PART NUMBER	QTY	DESCRIPTION	MANUFACTURE
1	DCA300SSJU4F (TIER 4F)	1	300KVA GENSET 300SSJU4F GENSET WEIGHT (WET): 10,925lbs	MQ POWER
2	TRLR325XFE	1	TRAILER (MODEL: TRLR325XF ELEC. BRAKES) TRAILER WT. (APPROX.): 3,740lbs G.V.W.R.: 18,000lbs TONGUE WT.: XXXlbs OVERALL DIMENSION: 234L X 96W X 107H	MQ POWER
3	EE47028	4	TIRE: 235/75R17.5 "H", 6005lbs WHEEL: 17.5 X 6.75	TASKMASTER
4	EE55502	2	HYDRAULIC AXLE, 10,000lbs RATING	DEXTER AXLE
5	EE46772	1	HEAVY DUTY DROPLEG - 10K JACK	CEQUENT
6	EE36264	1	3" ADJUSTABLE EYE	WALLACE FORGE
7	EE57059	1	FUEL TANK CAPACITY: 300GAL. (UN31A)	MQ POWER
8	EE53593	1	DIAMOND PLATE COVER, 12 X 55-1/8	MQ POWER
9	EE57858	1	7-HOLE ELECTRIC HITCH ADAPTOR (OPTION)	MQ POWER



UNLESS OTHERWISE SPECIFIED DIMENSIONS ARE IN INCHES TOLERANCES ARE :		CUSTOMER		MQ POWER TEL: (310) 537-3700/FAX: (310) 632-2656 18910 WILMINGTON AVENUE CARSON, CA 90746	
FRACTIONS	DECIMALS	ANGLES	JOB NO.		
±	.XX ±	±		DCA300SSJU4F GENSET MTD ON TRLR325XF ELEC. TRAILER	
DERIVED FROM		MATERIAL	APPROVALS	DATE	SIZE
REV	DATE	FINISH	J. TRAN	12/12/14	D
CAD CODE 202045		DO NOT SCALE DRAWING	CHECKED		FSCM NO. 202045
			SALESMAN		DWG. NO. 202045
					SHEET 1 / 1
					SCALE 1/14

DWG. NO. 202045

REVISION

A