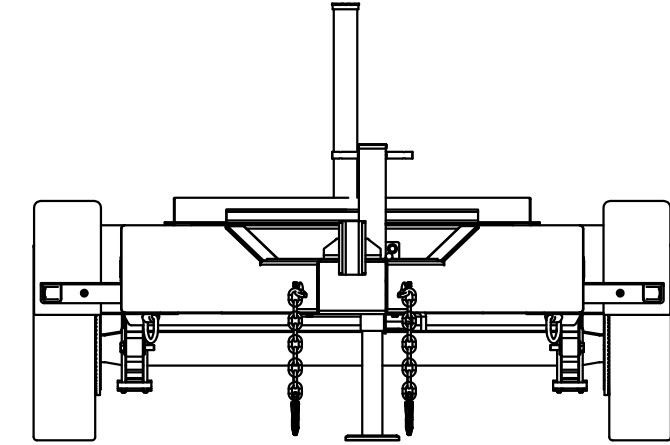
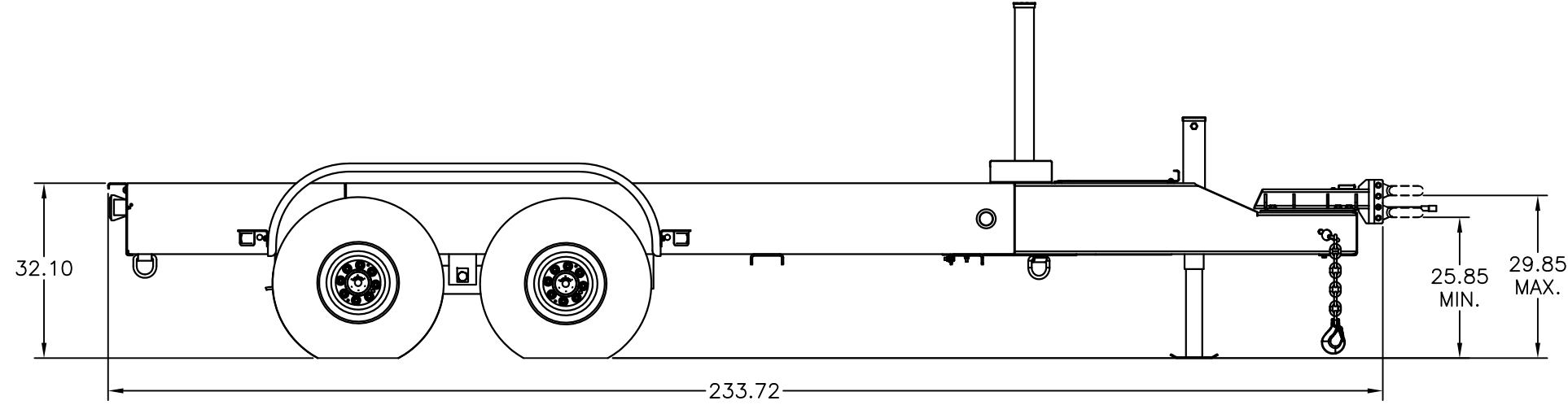
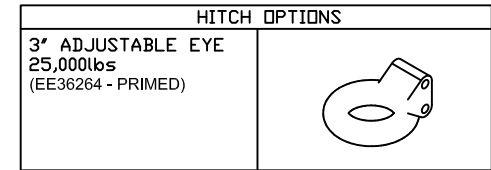
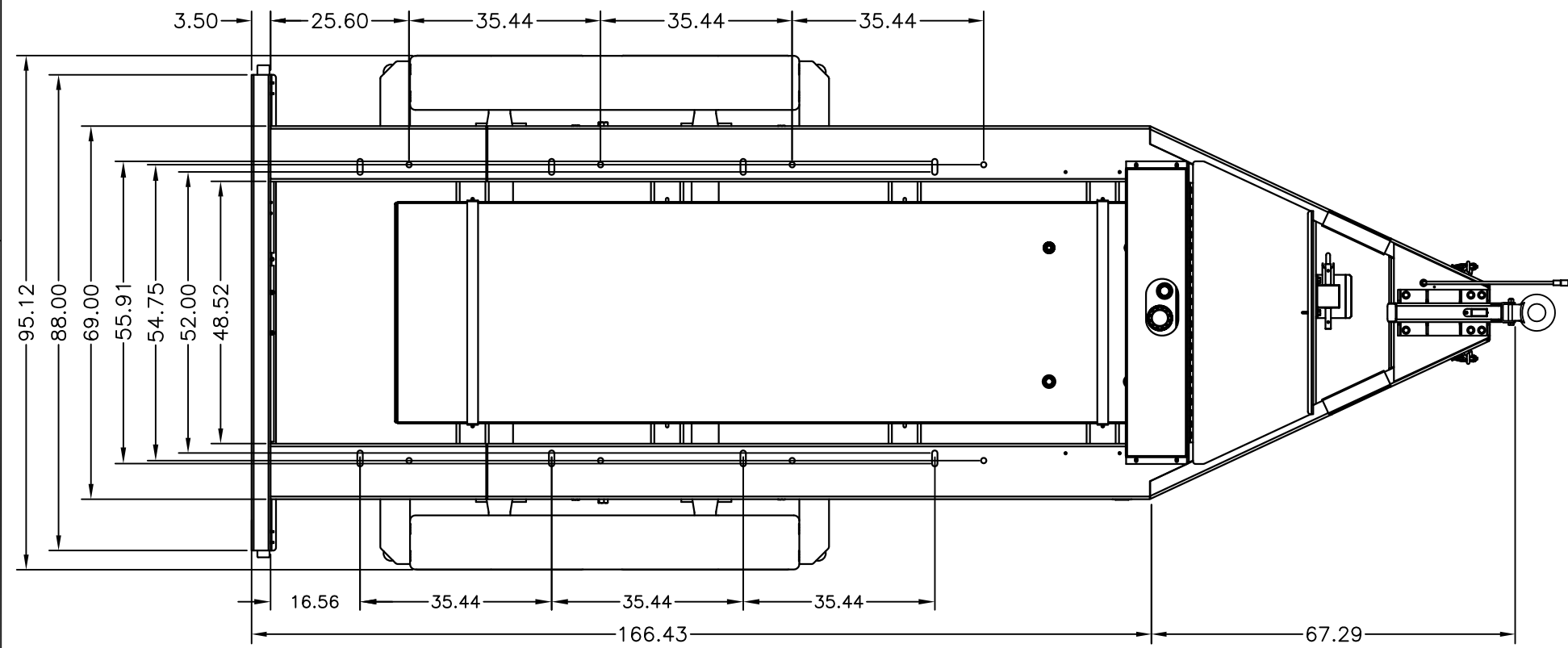


THIS DRAWING AND THE DATA DISCLOSED HEREIN OR HEREWITH IS CONFIDENTIAL AND PROPRIETARY AND IS NOT TO BE REPRODUCED, USED, OR DISCLOSED IN WHOLE OR IN PART TO ANYONE WITHOUT THE EXPRESSED WRITTEN PERMISSION OF MULTIQUIP COMPANY.

DWG. NO.		202043		REVISION		DATE		APPROVED	
ZONE	LTR	DESCRIPTION				DATE	APPROVED		



TRLR325XF ELECTRIC BRAKES TRAILER	
WEIGHT	3740lbs
LENGTH	234"
WIDTH	95"
FRAME WIDTH	69"
AXLE	10,000lbs (QTY 2) DEXTER AXLE
TIRES	235/75R17.5 "J", 6005lbs (QTY 4)
WHEELS	17.5 X 6.75 (QTY 4)
GVWR	18,000lbs
JACK	10K HEAVY DUTY DROPLEG JACK
FUEL TANK	300GAL. CAPACITY (UN31A)

UNLESS OTHERWISE SPECIFIED DIMENSIONS ARE IN INCHES TOLERANCES ARE :		CUSTOMER		MQ POWER TEL: (310) 537-3700/FAX: (310) 632-2656 18910 WILMINGTON AVENUE CARSON, CA 90746	
FRACTIONS	DECIMALS	ANGLES	JOB NO.		
±	.XX ±	±			
	.XXX ±				
DERIVED FROM 201703		MATERIAL		TRLR325XF ELEC. BRAKES TRAILER	
REV	DATE	FINISH	APPROVALS	DATE	G.V.W.R.: 18,000lbs
			DRAWN J. TRAN	12/11/14	SIZE D
CAD CODE 202043		DO NOT SCALE DRAWING		CHECKED	FSCM NO.
		SALESMAN		SCALE 1/14	DWG. NO. 202043
				SHEET 1 / 1	

DWG. NO. 202043

A