

8

7

6

5

4

3

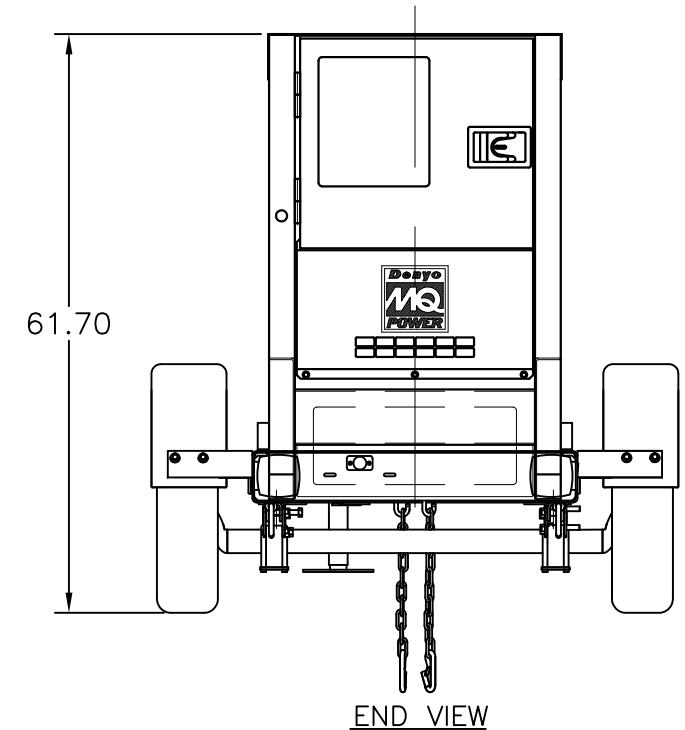
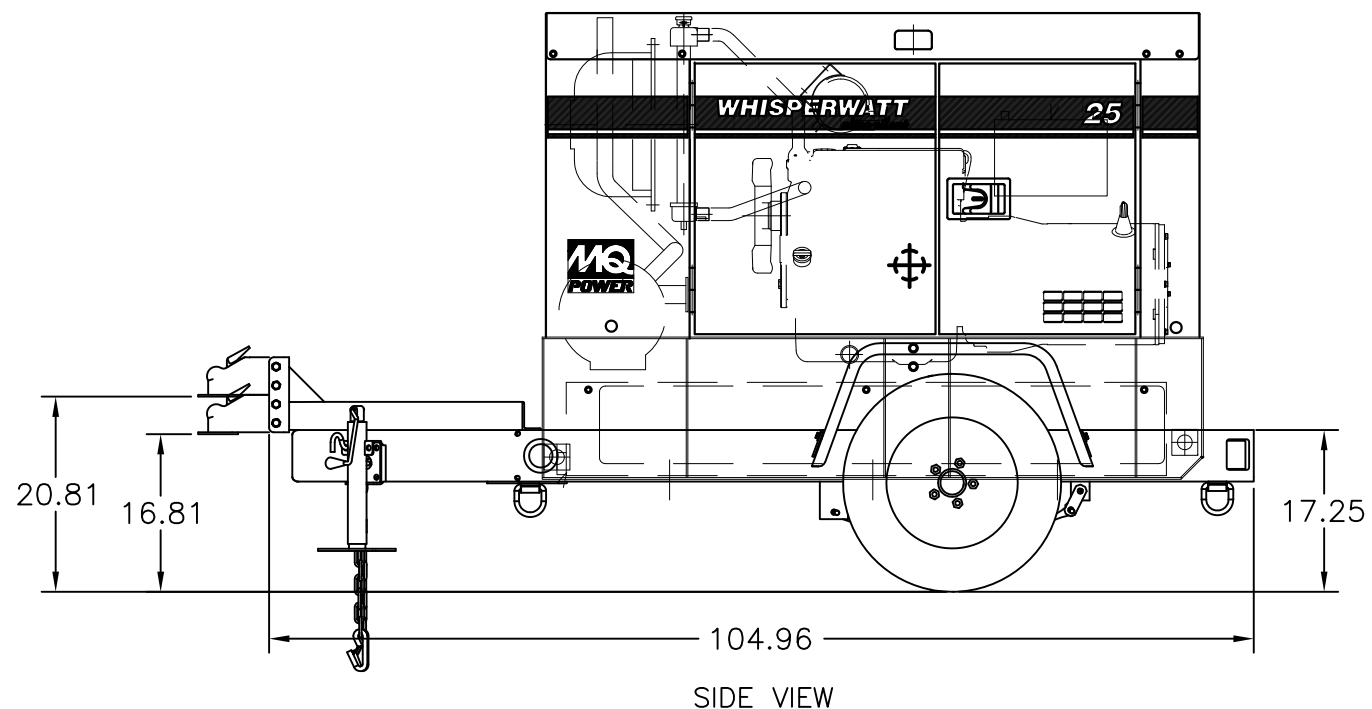
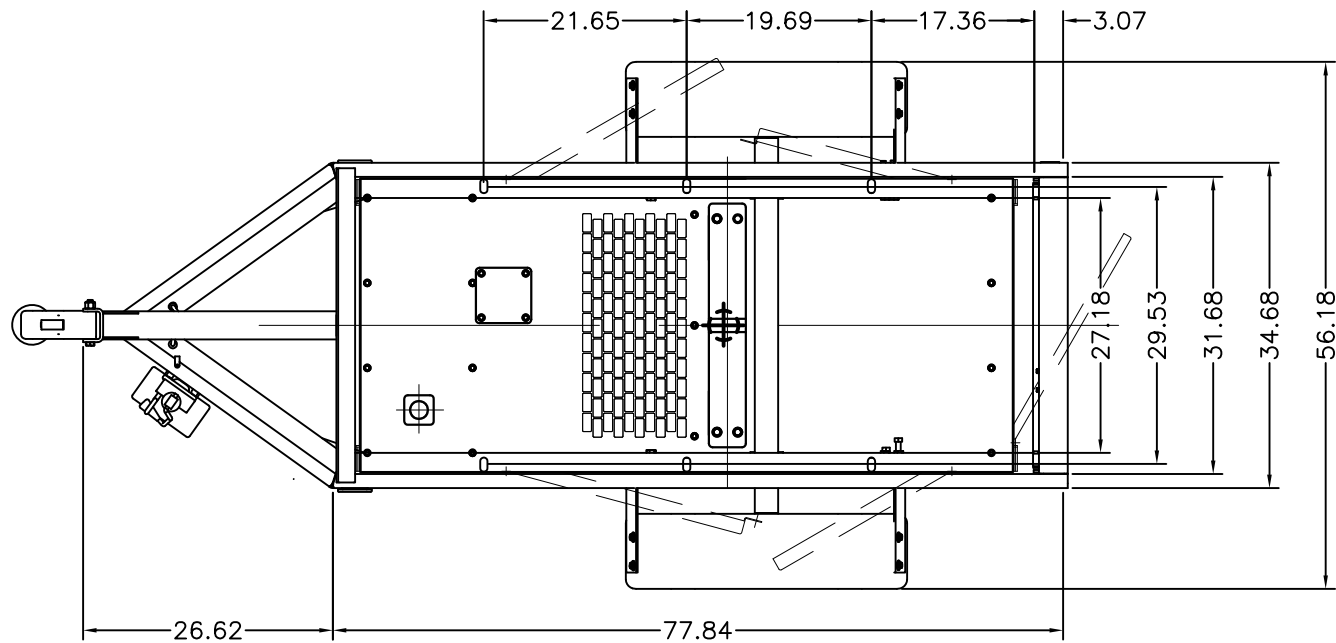
201910

1

THIS DRAWING AND THE DATA DISCLOSED HEREIN OR HEREWITH IS CONFIDENTIAL AND PROPRIETARY AND IS NOT TO BE REPRODUCED, USED, OR DISCLOSED IN WHOLE OR IN PART TO ANYONE WITHOUT THE EXPRESSED WRITTEN PERMISSION OF MULTQUIP COMPANY.

PART LISTS

ITEM	PART NUMBER	QTY	DESCRIPTION	MANUFACTURE
1	DCA25USI4CAN	1	25KVA GENSET 25USI4CAN GENSET WEIGHT (DRY): 1,806lbs	DENYO
2	TRLR25US	1	TRAILER (MODEL: TRLR25US) TRAILER WT. ONLY: 360lbs G.V.W.R.: 2,720lbs TONGUE WT.: OVERALL DIMENSION: 105L X 56W X 62H	WHITEMAN
3	19045	2	TIRE: ST175/80D13 "C" WHEEL 13 X 4.5J	WHITEMAN
4		1	AXLE, 3,500lbs RATING, NO BRAKE MECHANISM	WHITEMAN
5		1	2K JACK	WHITEMAN
6		1	SEE HITCH OPTION TABLE	



HITCH OPTIONS	
3' ADJUSTABLE EYE 20,000lbs (EE36264 - PRIMED)	
2' BALL COUPLER 10,000lbs (EE43254 - PLATED)	
2-5/16" BALL COUPLER 14,000lbs (EE43253 - PLATED)	

UNLESS OTHERWISE SPECIFIED DIMENSIONS ARE IN INCHES TOLERANCES ARE : FRACTIONS DECIMALS ANGLES ± .XX ± ± .XXX ±		CUSTOMER		MQ POWER TEL: (310) 537-3700/FAX: (310) 632-2656 18910 WILMINGTON AVENUE CARSON, CA 90746	
DERIVED FROM		JOB NO.			
REV	DATE	MATERIAL	APPROVALS	DATE	DCA25USI4CAN GENSET MTD ON TRLR25US TRAILER
CAD CODE 201910		FINISH	J. TRAN	01/22/14	
DO NOT SCALE DRAWING		SALESMAN	CHECKED	SCALE	SIZE D
				1/10	FSCM NO. 201910 DWG. NO. 201910 SHEET 1 / 1

8

7

6

5

4

3

2

1

D

C

B

A

D

C

B

A

201910