

8

7

6

5

4

3

201881

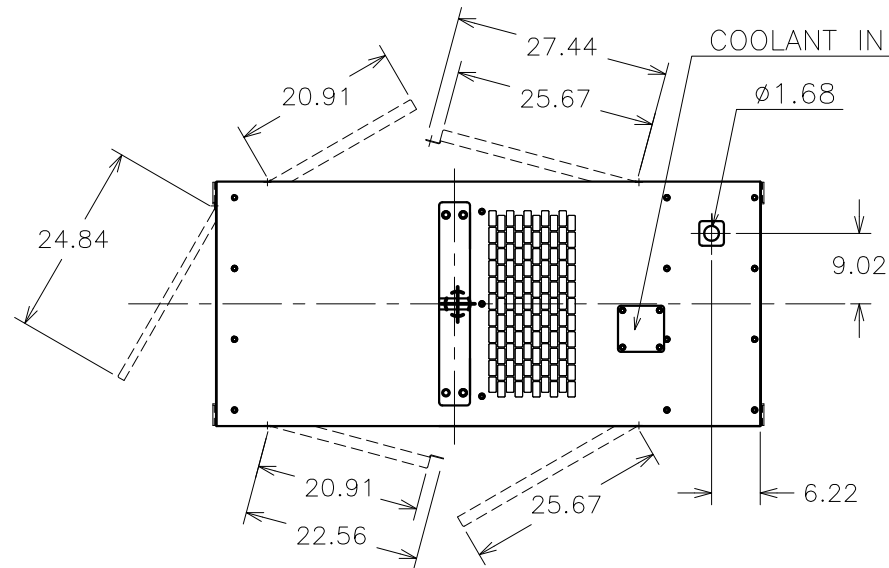
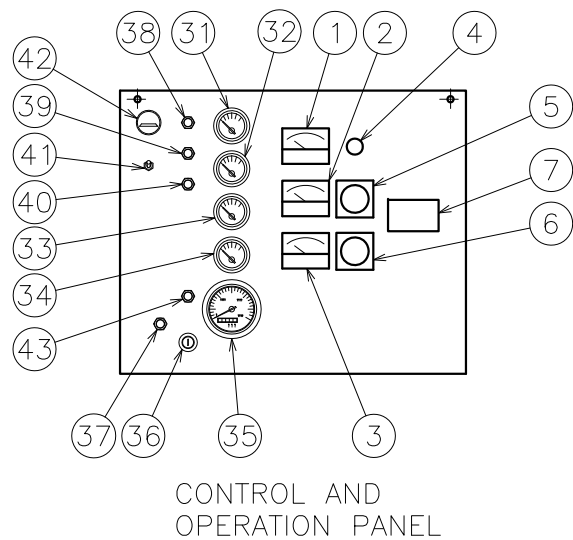
01

1

THIS DRAWING AND THE DATA DISCLOSED HEREIN OR HEREWITH IS CONFIDENTIAL AND PROPRIETARY AND IS NOT TO BE REPRODUCED, USED, OR DISCLOSED IN WHOLE OR IN PART TO ANYONE WITHOUT THE EXPRESSED WRITTEN PERMISSION OF MULTIQUIP COMPANY.

ZONE		LTR	DESCRIPTION	DATE	APPROVED

CONTROL PANEL		OPERATING PANEL	
NO.	NAME	NO.	NAME
1	FREQUENCY METER	31	OIL PRESSURE GAUGE
2	AC AMMETER	32	WATER TEMP. GAUGE
3	AC VOLTMETER	33	CHARGING AMMETER
4	VOLTAGE REGULATOR	34	FUEL GAUGE
5	AMMETER, CHANGE-OVER SWITCH	35	TACHOMETER
6	VOLTMETER, CHANGE-OVER SWITCH	36	START SWITCH
7	CIRCUIT BREAKER	37	PREHEAT LAMP
		38	OIL PRESSURE ALARM LAMP
		39	WATER TEMP. ALARM LAMP
		40	FUEL FILLER WATER LEVEL ALARM LAMP
		41	PANEL LIGHT SWITCH
		42	PANEL LIGHT
		43	FUEL LEAK DETECTED ALARM LAMP



D

D

C

C

B

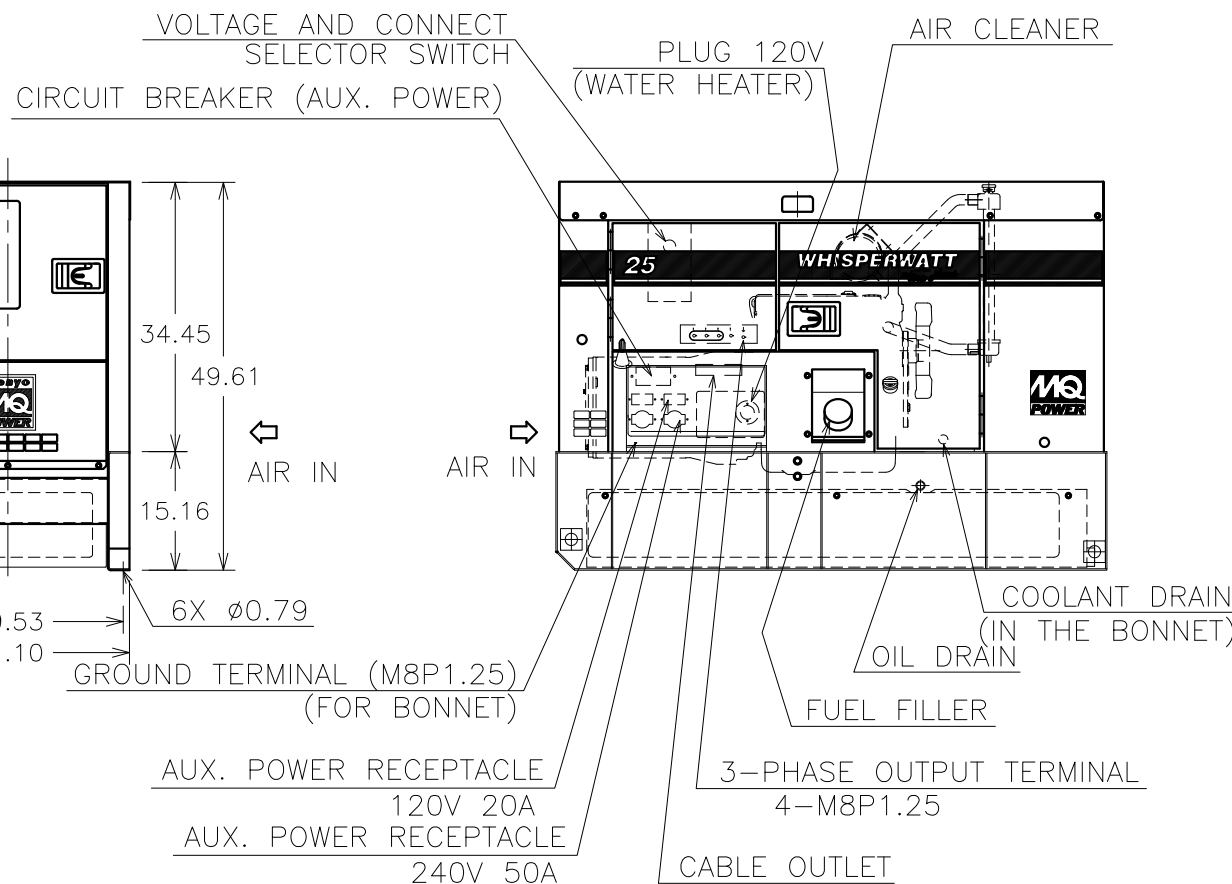
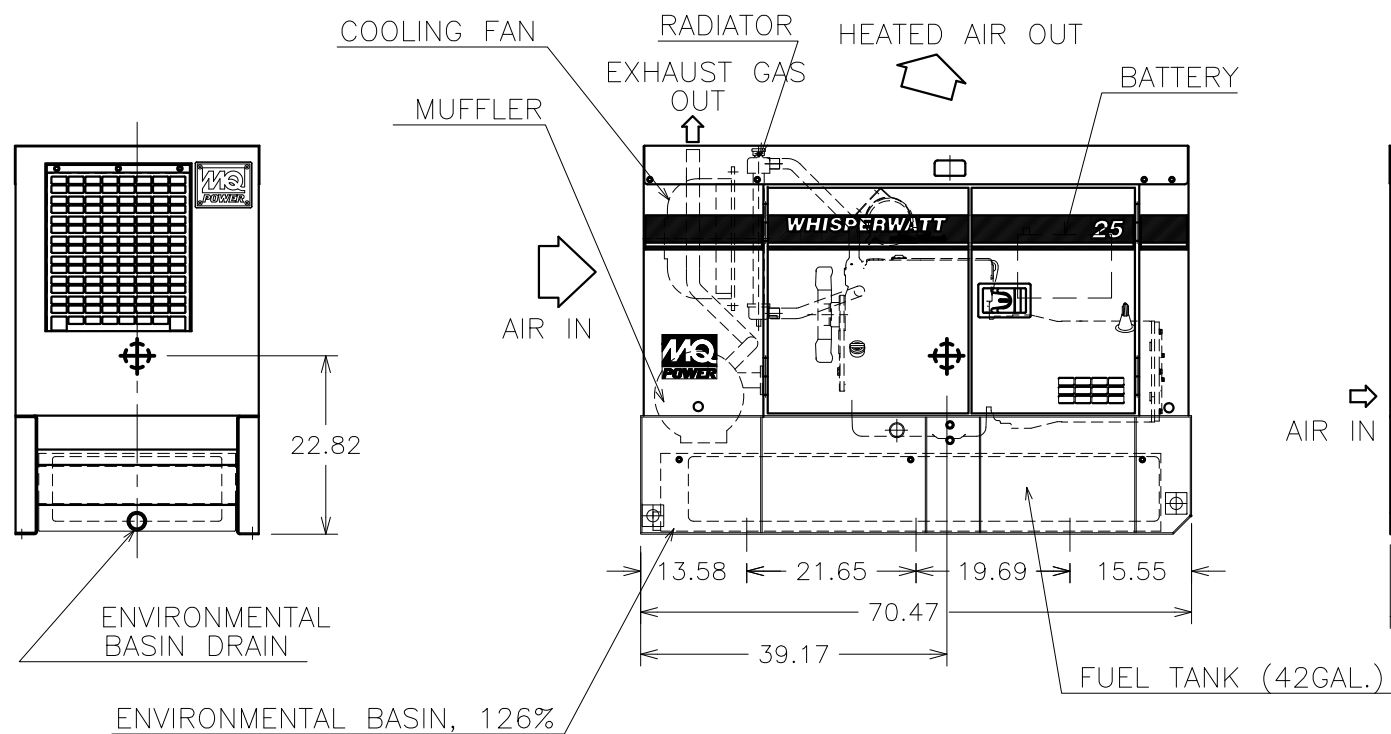
B

201881

01

A

A



ENGINE : ISUZU 4LE2  
 GENERATOR : DF-027012  
 BATTERY : 27 (CCA 0°F 525A) x1  
 FUEL TANK : 42 Gal.  
 DRY WEIGHT : 1,806 lbs

⊕ : CENTER OF GRAVITY (FUEL: HALF; OIL, COOLANT, BATTERY: FULL)  
 OIL : 2.25 Gal.  
 COOLANT : 1.70 Gal.

UNLESS OTHERWISE SPECIFIED DIMENSIONS ARE IN INCHES TOLERANCES ARE :  
 FRACTIONS DECIMALS ANGLES  
 ± .XX ± ±  
 .XXX ±

CUSTOMER  
 JOB NO.  
 APPROVALS DATE  
 DRAWN J. TRAN 10/28/13  
 CHECKED  
 SALESMAN

**MQ POWER**  
 TEL: (310) 537-3700/FAX: (310) 632-2656  
 18910 WILMINGTON AVENUE  
 CARSON, CA 90746

DERIVED FROM  
 DENYO M18044 00303  
 REV DATE  
 01 03/11/15  
 CAD CODE  
 201881

MATERIAL  
 FINISH  
 DO NOT SCALE DRAWING

OUTLINE DRAWING  
 DCA25USI4CAN (TIER 4)  
 SIZE D  
 FSCM NO.  
 DWG. NO. 201881  
 SCALE 1/12  
 SHEET 1 / 1

8

7

6

5

4

3

2

1