

8

7

6

5

4

3

201830

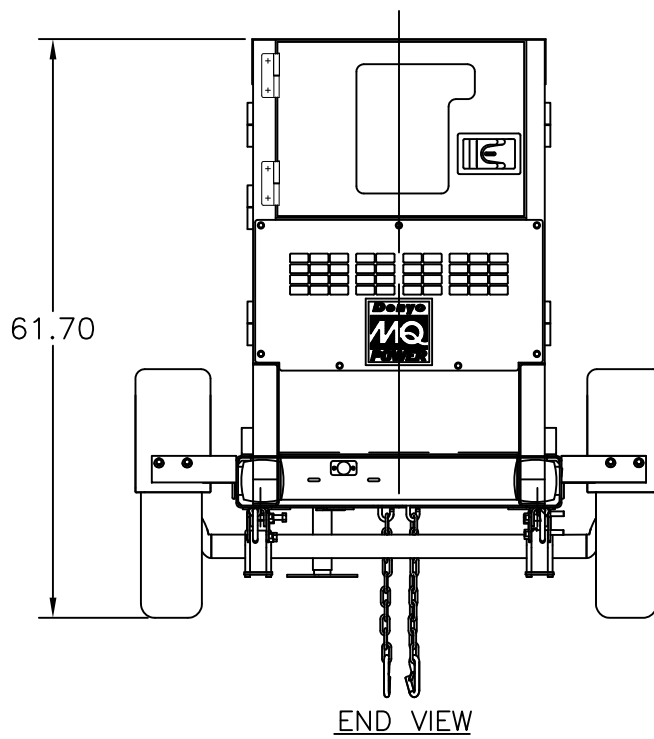
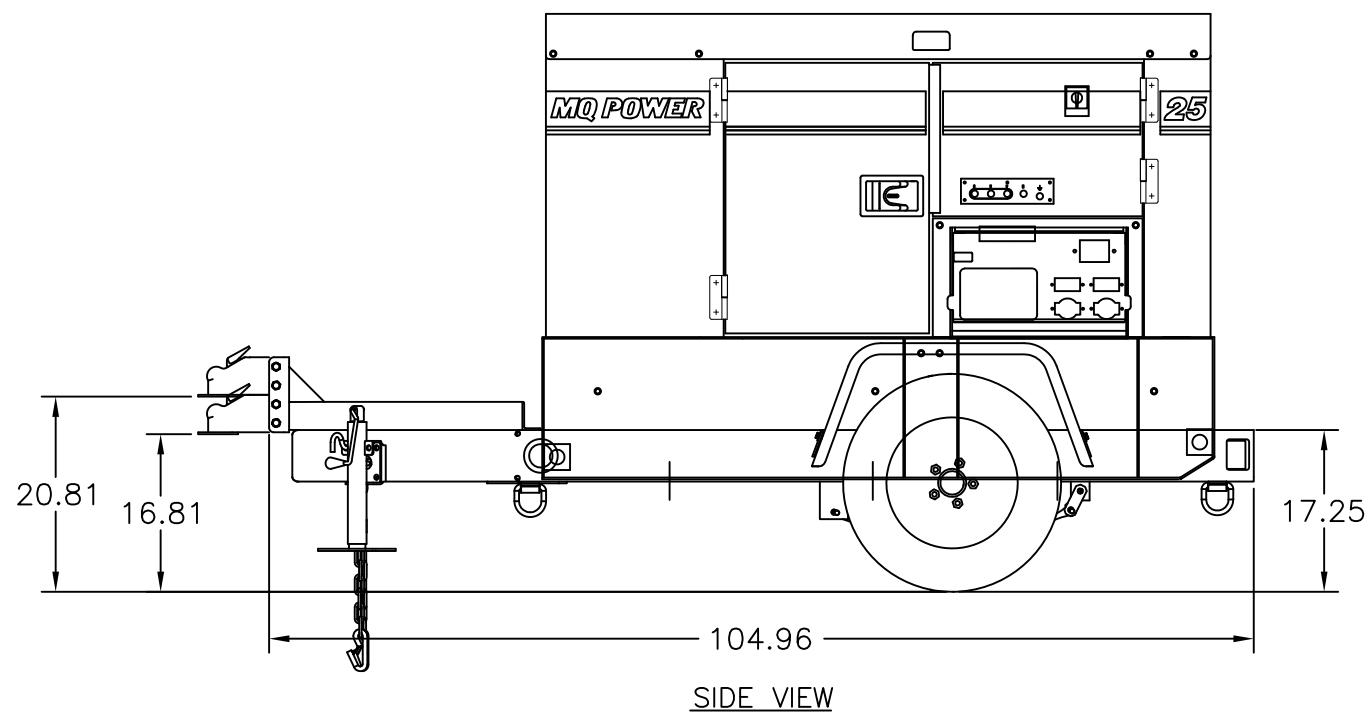
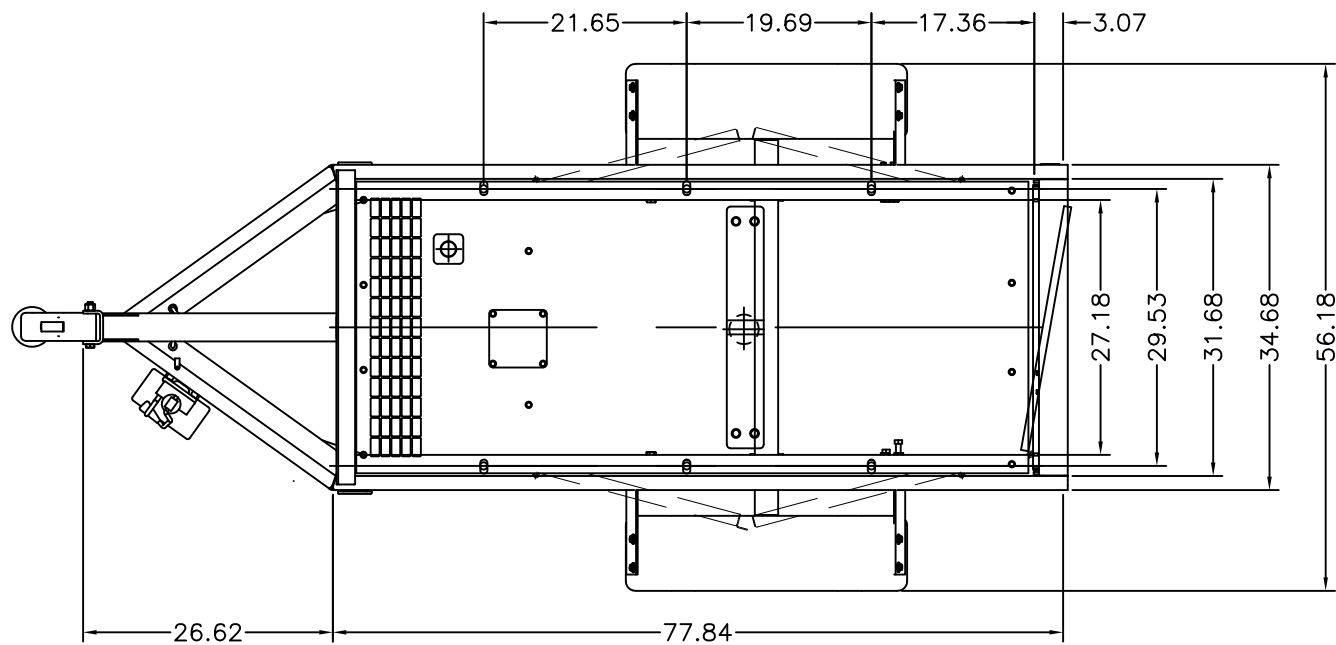
A1

1

THIS DRAWING AND THE DATA DISCLOSED HEREIN OR HEREWITH IS CONFIDENTIAL AND PROPRIETARY AND IS NOT TO BE REPRODUCED, USED, OR DISCLOSED IN WHOLE OR IN PART TO ANYONE WITHOUT THE EXPRESSED WRITTEN PERMISSION OF MULTQUIP COMPANY.

PART LISTS

ITEM	PART NUMBER	QTY	DESCRIPTION	MANUFACTURE
1	DCA25SSIU4F	1	25KVA GENSET 25SSIU4F GENSET WEIGHT (WET): 2,137lbs	DENYO
2	TRLR25US	1	TRAILER (MODEL: TRLR25US) TRAILER WT. ONLY: 360lbs G.V.W.R.: 2,720lbs TONGUE WT.: OVERALL DIMENSION: 105L X 56W X 62H	WHITEMAN
3	19045	2	TIRE: ST175/80D13 "C" WHEEL 13 X 4.5J	WHITEMAN
4		1	AXLE, 3,500lbs RATING, NO BRAKE MECHANISM	WHITEMAN
5		1	2K JACK	WHITEMAN
6		1	SEE HITCH OPTION TABLE	



HITCH OPTIONS	
3' ADJUSTABLE EYE 20,000lbs (EE36264 - PRIMED)	
2' BALL COUPLER 10,000lbs (EE43254 - PLATED)	
2-5/16" BALL COUPLER 14,000lbs (EE43253 - PLATED)	

UNLESS OTHERWISE SPECIFIED DIMENSIONS ARE IN INCHES TOLERANCES ARE : FRACTIONS DECIMALS ANGLES ± .XX ± ± .XXX ±

CUSTOMER

JOB NO.

APPROVALS

CHECKED

SALESMAN

MQ POWER
TEL: (310) 537-3700/FAX: (310) 632-2656
18910 WILMINGTON AVENUE
CARSON, CA 90746

DCA25SSIU4F GENSET
MTD ON TRLR25US TRAILER

SIZE D FSCM NO. 201830 DWG. NO. 201830 SHEET 1 / 1

DERIVED FROM

REV DATE

CAD CODE

MATERIAL

FINISH

DO NOT SCALE DRAWING

DATE

03/15/13

SCALE

1/10

SHEET

1 / 1

8

7

6

5

4

3

2

1

201830 A1