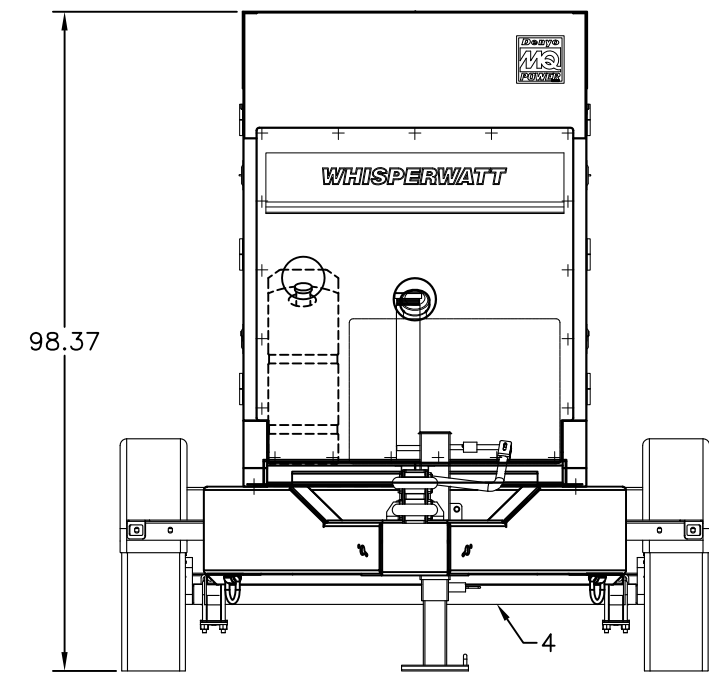
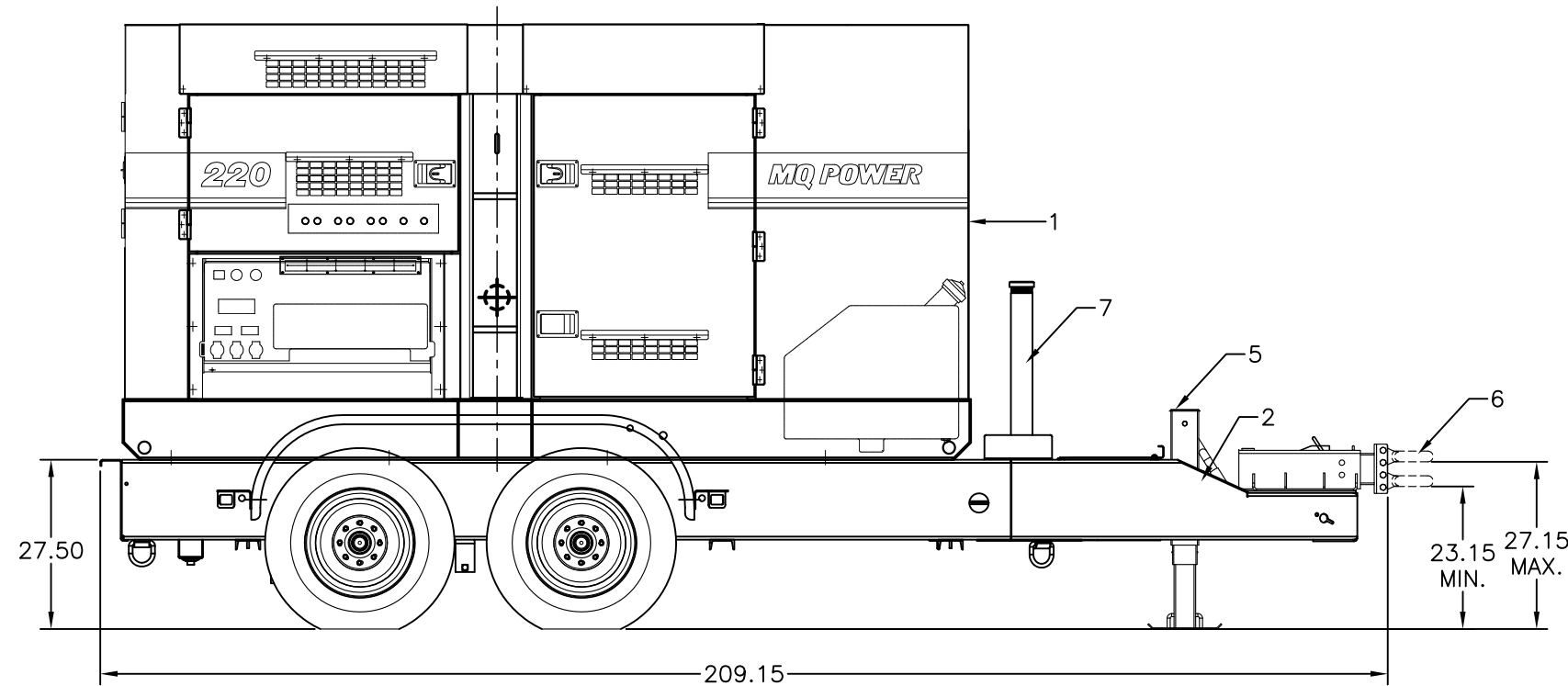
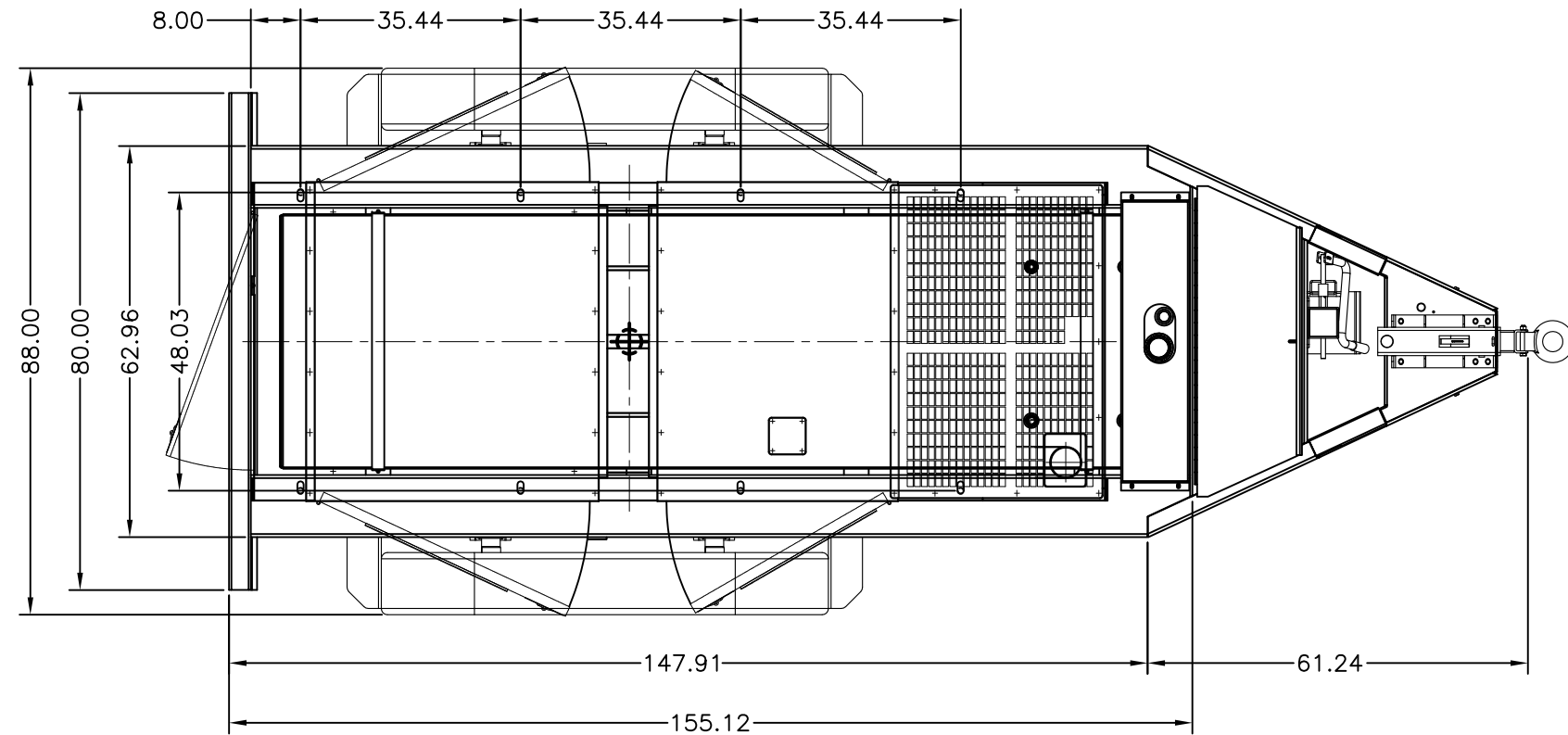


THIS DRAWING AND THE DATA DISCLOSED HEREIN OR HEREWITH IS CONFIDENTIAL AND PROPRIETARY AND IS NOT TO BE REPRODUCED, USED, OR DISCLOSED IN WHOLE OR IN PART TO ANYONE WITHOUT THE EXPRESSED WRITTEN PERMISSION OF MULTQUIP COMPANY.

DWG. NO. 202037

PART LISTS				
ITEM	PART NUMBER	QTY	DESCRIPTION	MANUFACTURE
1	DCA220SSJU4F (TIER 4F)	1	220KVA GENSET 220SSJU4F GENSET WEIGHT (WET): 8,480lbs	MQ POWER
2	TRLR220XFH	1	TRAILER (MODEL: TRLR220XF HYDRAULIC) TRAILER WT. (APPROX.): 2,761lbs G.V.W.R.: 13,500lbs TONGUE WT.: OVERALL DIMENSION: 209L X 88W X 98H	MQ POWER
3	EE47313	4	TIRE: ST235/80R-16 LR-E 3500lbs WHEEL: 16 X 6	TASKMASTER
4	EE55972	2	HYDRAULIC AXLE, 7,000lbs RATING	DEXTER AXLE
5	EE46772	1	HEAVY DUTY DROPLEG - 10K JACK	CEQUENT
6	EE36264	1	3" ADJUSTABLE EYE	WALLACE FORGE
7	EE55288	1	FUEL TANK CAPACITY: 300GAL.	GDC
8	EE57547	1	DW FUEL TANK CAPACITY: 200GAL. (OPTION)	GPC



UNLESS OTHERWISE SPECIFIED DIMENSIONS ARE IN INCHES TOLERANCES ARE :		CUSTOMER		<b>MQ POWER</b> TEL: (310) 537-3700/FAX: (310) 632-2656 18910 WILMINGTON AVENUE CARSON, CA 90746		
FRACTIONS	DECIMALS	ANGLES	JOB NO.			
±	.XX ±	±		APPROVALS		DATE
	.XXX ±			J. TRAN		12/01/14
DERIVED FROM		MATERIAL		DRAWN		
REV	DATE	FINISH		CHECKED		
CAD CODE 202037		DO NOT SCALE DRAWING		SALESMAN		
				SIZE D		FSCM NO. 202037
				SCALE 1/14		DWG. NO. 202037 SHEET 1 / 1

DWG. NO. 202037

D  
C  
B  
A

D  
C  
B  
A

8 7 6 5 4 3 2 1