

8

7

6

5

4

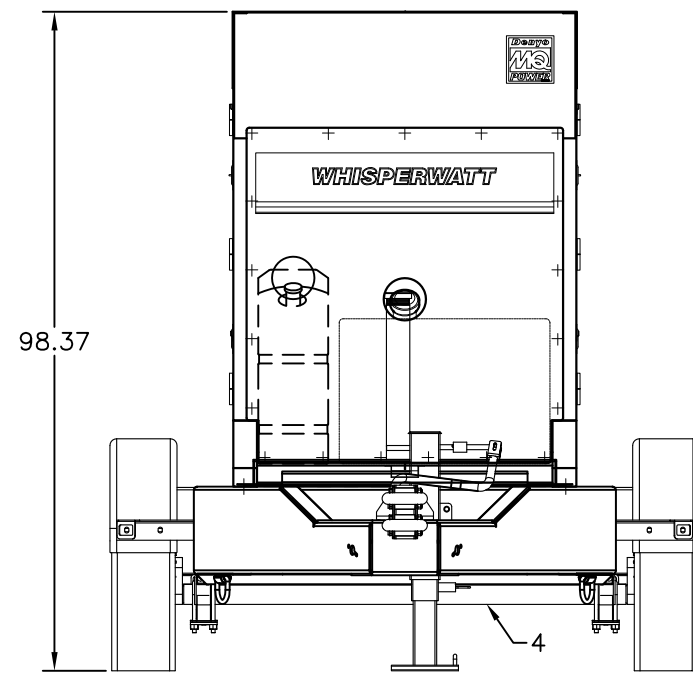
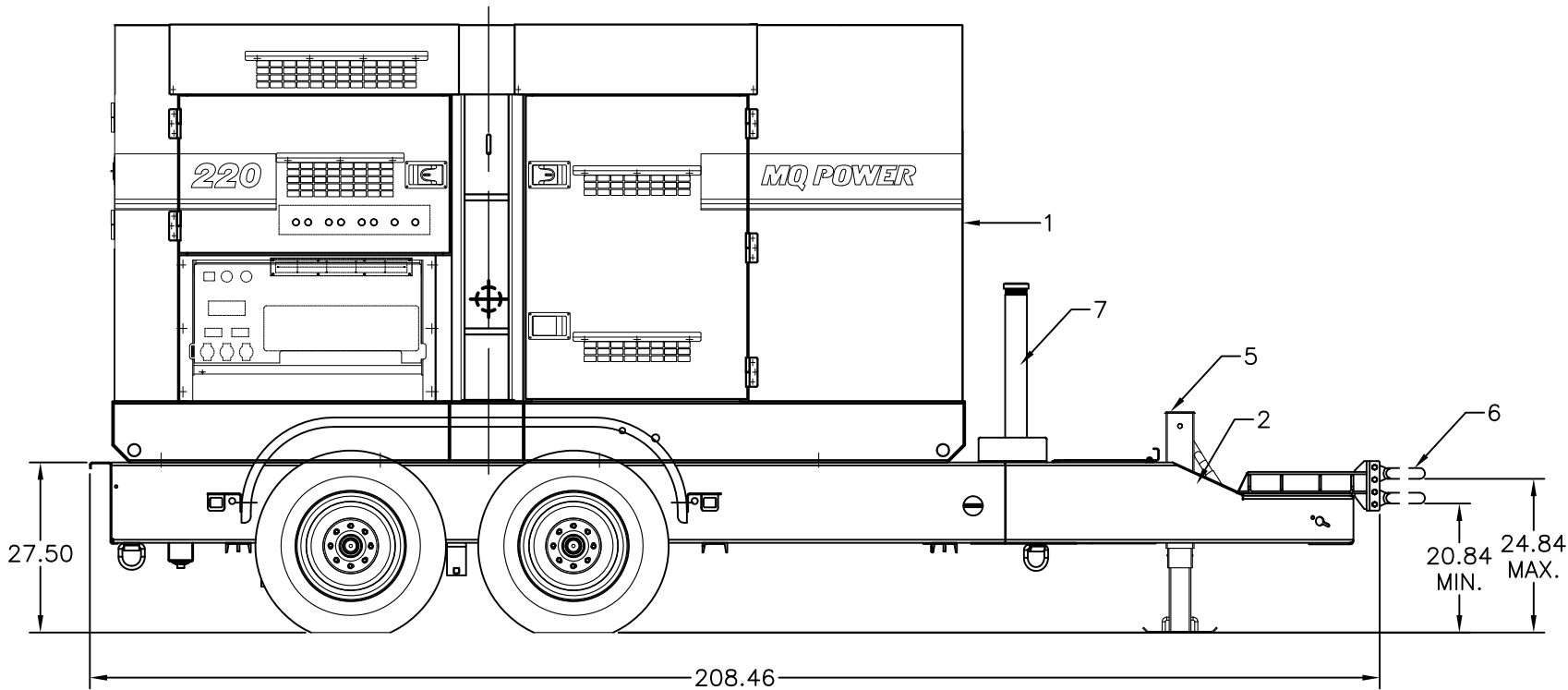
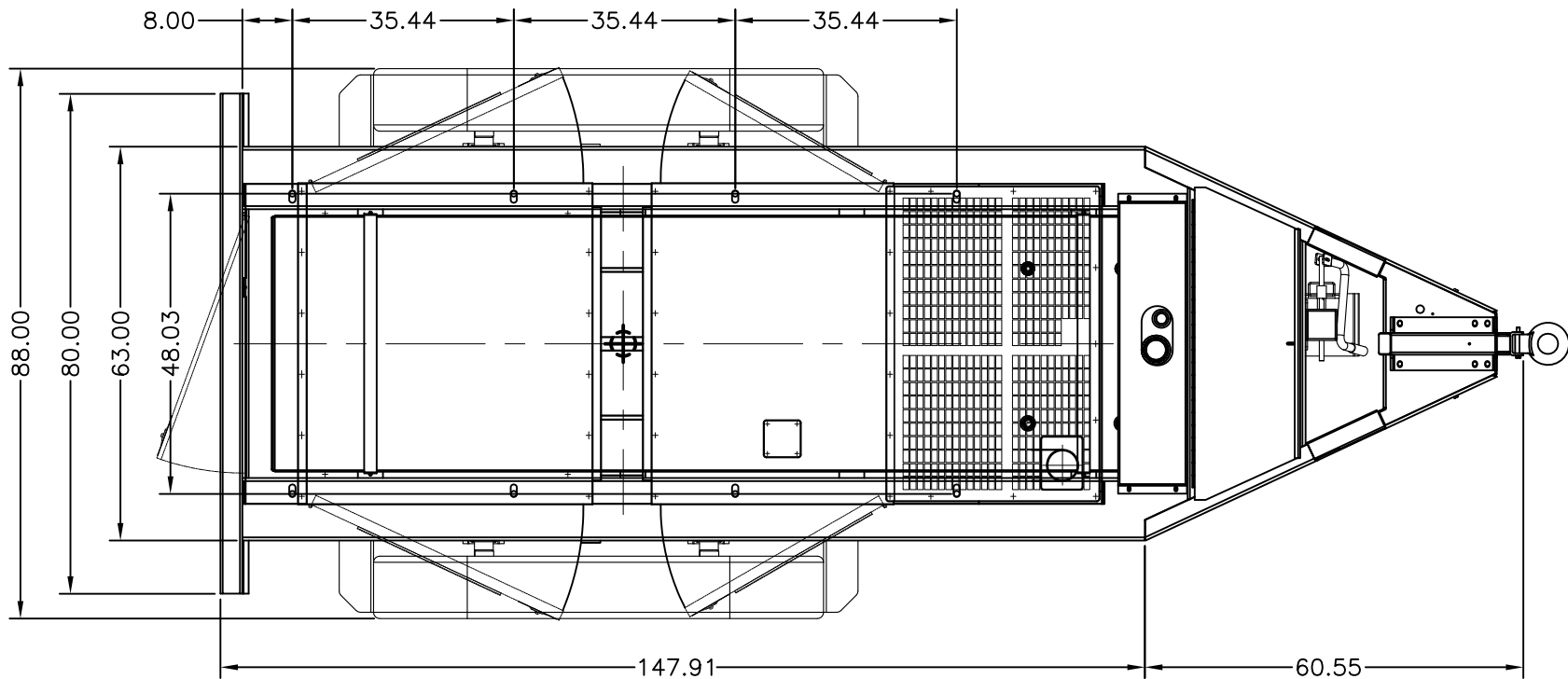
3

202038

1

THIS DRAWING AND THE DATA DISCLOSED HEREIN OR HEREWITH IS CONFIDENTIAL AND PROPRIETARY AND IS NOT TO BE REPRODUCED, USED, OR DISCLOSED IN WHOLE OR IN PART TO ANYONE WITHOUT THE EXPRESSED WRITTEN PERMISSION OF MULTIQUP COMPANY.

PART LISTS				
ITEM	PART NUMBER	QTY	DESCRIPTION	MANUFACTURE
1	DCA220SSJU4F (TIER 4F)	1	220KVA GENSET 220SSJU4F GENSET WEIGHT (WET): 8,480lbs	MQ POWER
2	TRLR220XFE	1	TRAILER (MODEL: TRLR220XF ELECTRIC) TRAILER WT. (APPROX.): 2,729lbs G.V.W.R.: 13,500lbs TONGUE WT.: OVERALL DIMENSION: 209L X 88W X 98H	MQ POWER
3	EE47313	4	TIRE: ST235/80R-16 LR-E 3500lbs WHEEL: 16 X 6	TASKMASTER
4	EE55973	2	ELECTRIC AXLE, 7,000lbs RATING	DEXTER AXLE
5	EE46772	1	HEAVY DUTY DROPLEG - 10K JACK	CEQUENT
6	EE36264	1	3" ADJUSTABLE EYE	WALLACE FORGE
7	EE55288	1	FUEL TANK CAPACITY: 300GAL.	GDC
8	EE57547	1	DW FUEL TANK CAPACITY: 200GAL. (OPTION)	GDC



UNLESS OTHERWISE SPECIFIED DIMENSIONS ARE IN INCHES TOLERANCES ARE :		CUSTOMER		MQ POWER TEL: (310) 537-3700/FAX: (310) 632-2656 18910 WILMINGTON AVENUE CARSON, CA 90746		
FRACTIONS	DECIMALS	ANGLES	JOB NO.			
±	.XX ±	±		DCA220SSJU4F GENSET MTD ON TRLR220XF ELEC. TRAILER		
DERIVED FROM		MATERIAL		DRAWN	DATE	SIZE
REV	DATE	FINISH		J. TRAN	12/01/14	D
CAD CODE 202038		DO NOT SCALE DRAWING		CHECKED		FSCM NO.
				SALESMAN		DWG. NO. 202038
						SHEET
						SCALE 1/14
						1 / 1

8

7

6

5

4

3

2

1

202038