

8

7

6

5

4

3

201970

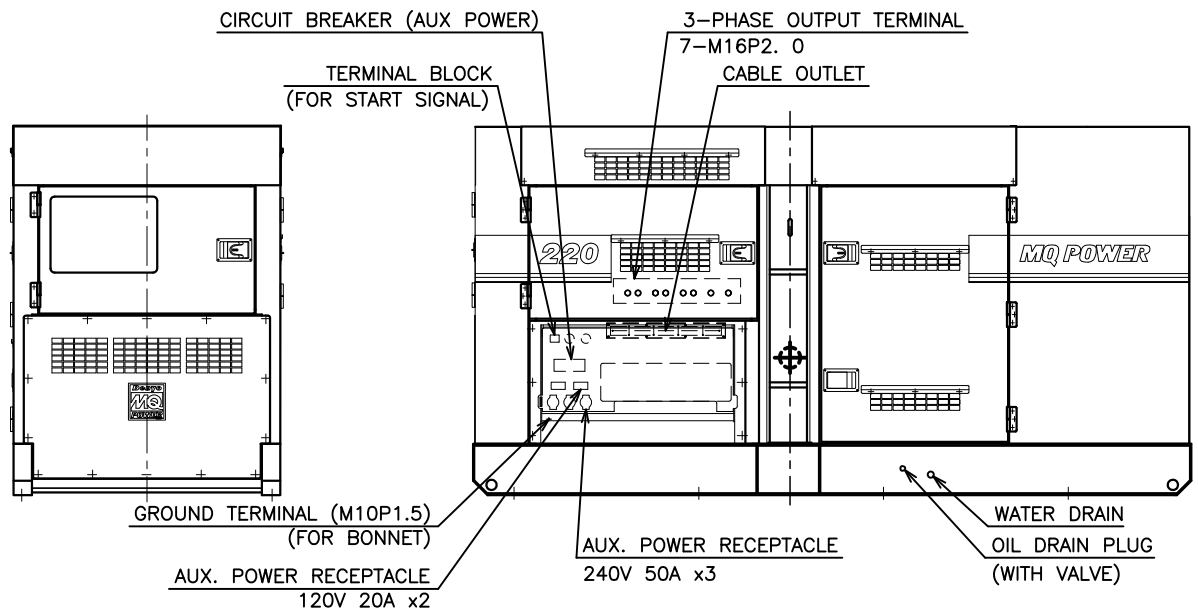
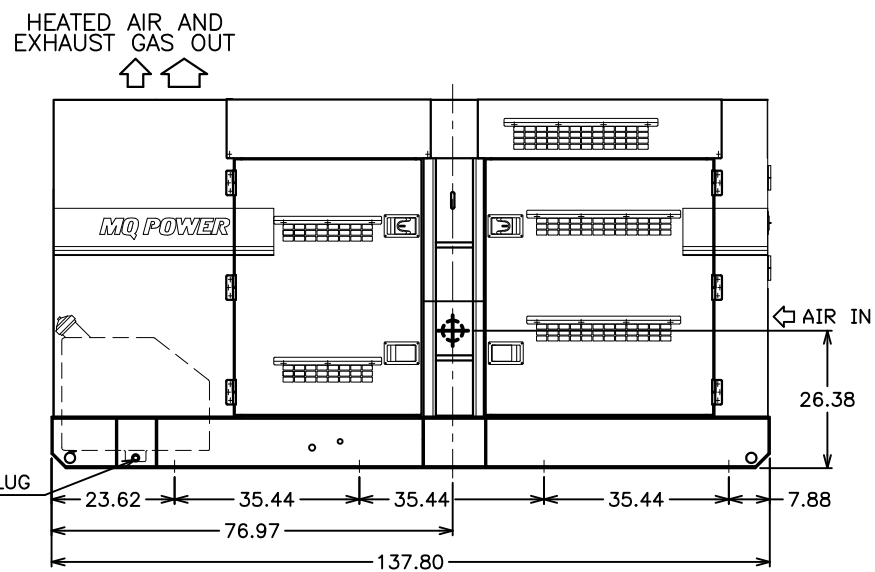
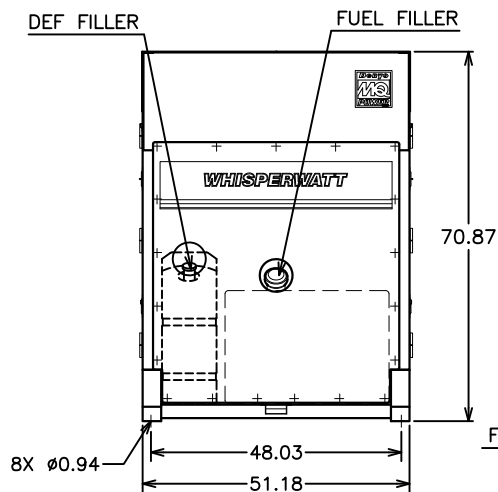
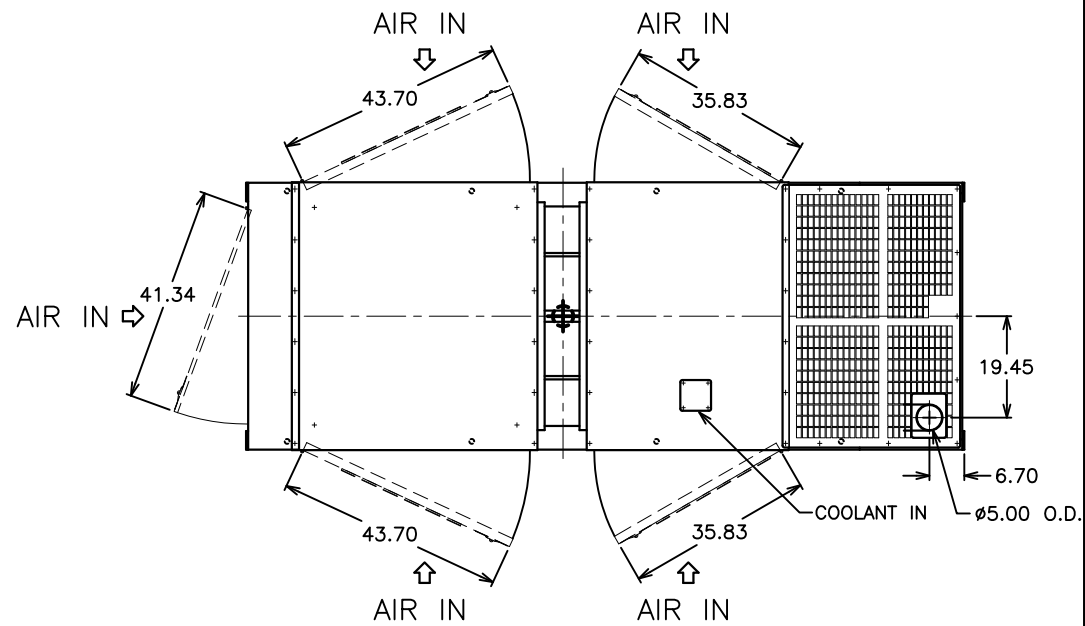
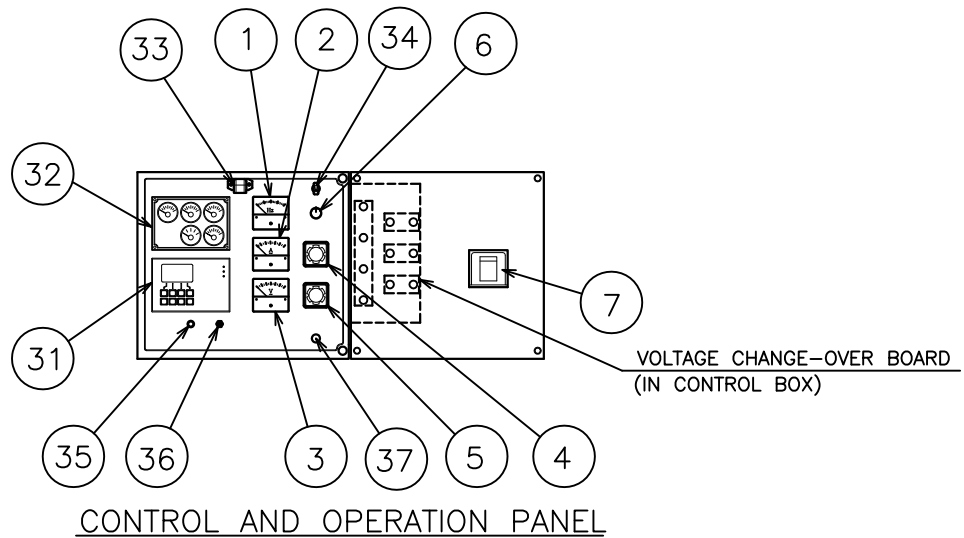
A

1

THIS DRAWING AND THE DATA DISCLOSED HEREIN OR HEREWITH IS CONFIDENTIAL AND PROPRIETARY AND IS NOT TO BE REPRODUCED, USED, OR DISCLOSED IN WHOLE OR IN PART TO ANYONE WITHOUT THE EXPRESSED WRITTEN PERMISSION OF MULTIQUIP COMPANY.

REVISIONS				
ZONE	LTR	DESCRIPTION	DATE	APPROVED
		INITIAL RELEASE	06/02/14	JT
A		FINALIZED	11/26/14	JT

CONTROL PANEL		OPERATING PANEL	
No.	NAME	No.	NAME
1	FREQUENCY METER	31	AUTO START/STOP CONTROLLER (ECU CONTROLLER)
2	AC AMMETER	32	GAUGE UNIT ASSY
3	AC VOLTMETER		OIL PRESSURE GAUGE
4	AMMETER CHANGE-OVER SWITCH		WATER TEMP. GAUGE
5	VOLTMETER CHANGE-OVER SWITCH		CHARGING VOLTMETER
6	VOLTAGE REGULATOR		FUEL GAUGE
7	CIRCUIT BREAKER		TACHOMETER
		33	PANEL LIGHT
		34	PANEL LIGHT SWITCH
		35	HOURLY CHECK BUTTON
		36	AUTO START/STOP SWITCH
		37	EMERGENCY STOP BUTTON



ENGINE	: JOHN DEERE 6068HFG09
GENERATOR	: DF-2400J
BATTERY SIZE	: 4D (CCA 0°F 1050A) X1
FUEL TANK	: 69Gal (260L)
DEF TANK	: 14.5Gal (55L)
DRY WEIGHT	: 7,687 lbs (3490kg Approx.)
TOTAL WEIGHT	: 8,480 lbs (3850kg Approx.)

⊕ : CENTER OF GRAVITY (FUEL: HALF; OIL, COOLANT, BATTERY: FULL)

UNLESS OTHERWISE SPECIFIED DIMENSIONS ARE IN INCHES TOLERANCES ARE : FRACTIONS DECIMALS ANGLES ± .XX ± ± .XXX ±

CUSTOMER	
JOB NO.	
APPROVALS	DATE
DRAWN J. TRAN	05/12/14
CHECKED	
SALESMAN	

MQ POWER		
TEL: (310) 537-3700/FAX: (310) 632-2656		
18910 WILMINGTON AVENUE		
CARSON, CA 90746		
OUTLINE DRAWING DCA220SSJU4F		
SIZE D	FSCM NO.	DWG. NO. 201970
SCALE 1/18		SHEET 1 / 1

DERIVED FROM M58043 00303	
REV A	DATE 11/26/14
CAD CODE 201970	

MATERIAL	
FINISH	
DO NOT SCALE DRAWING	

201970