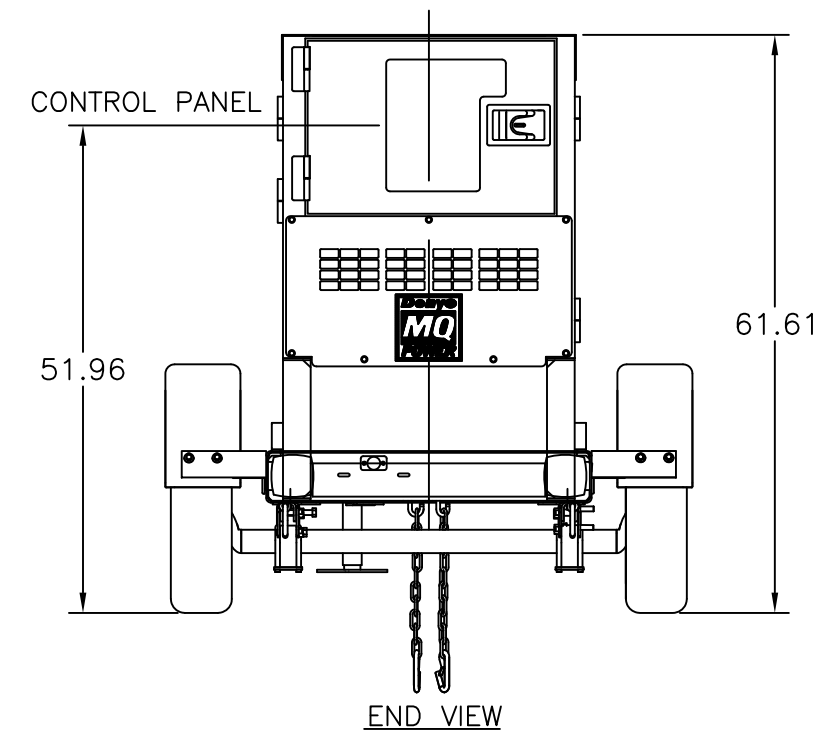
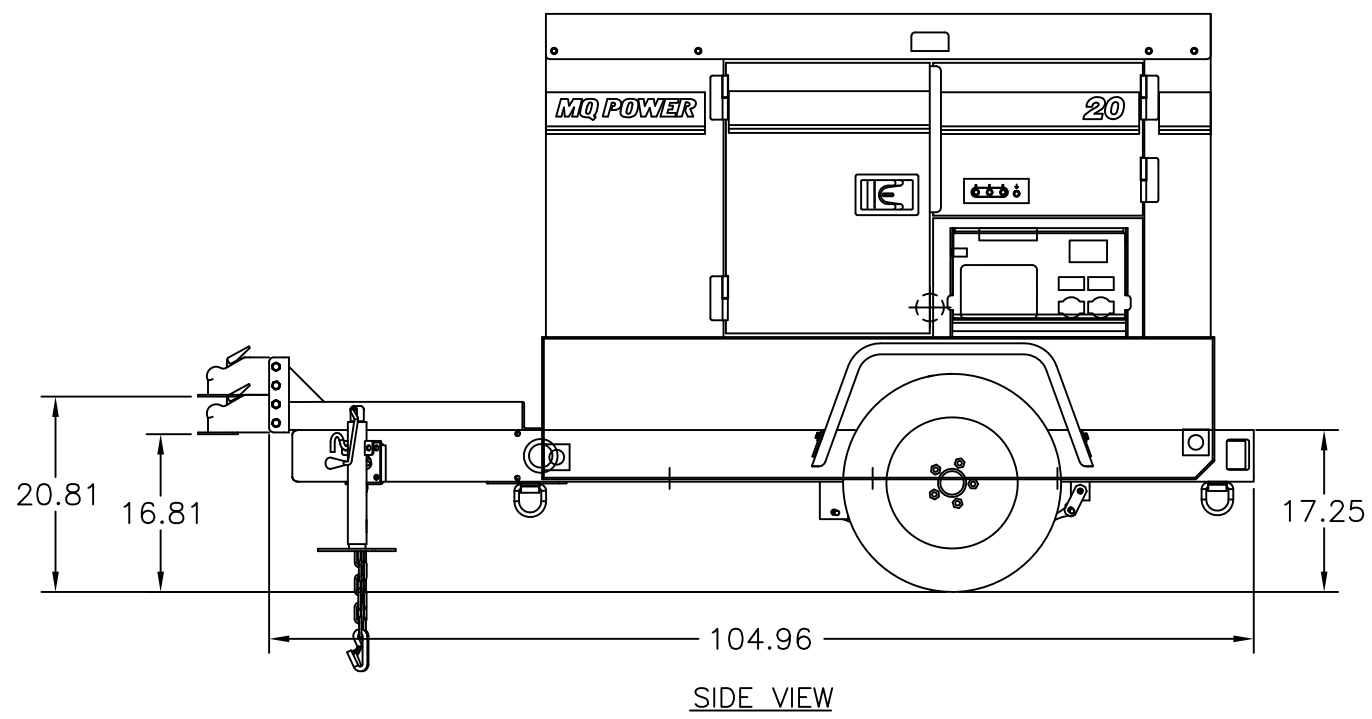
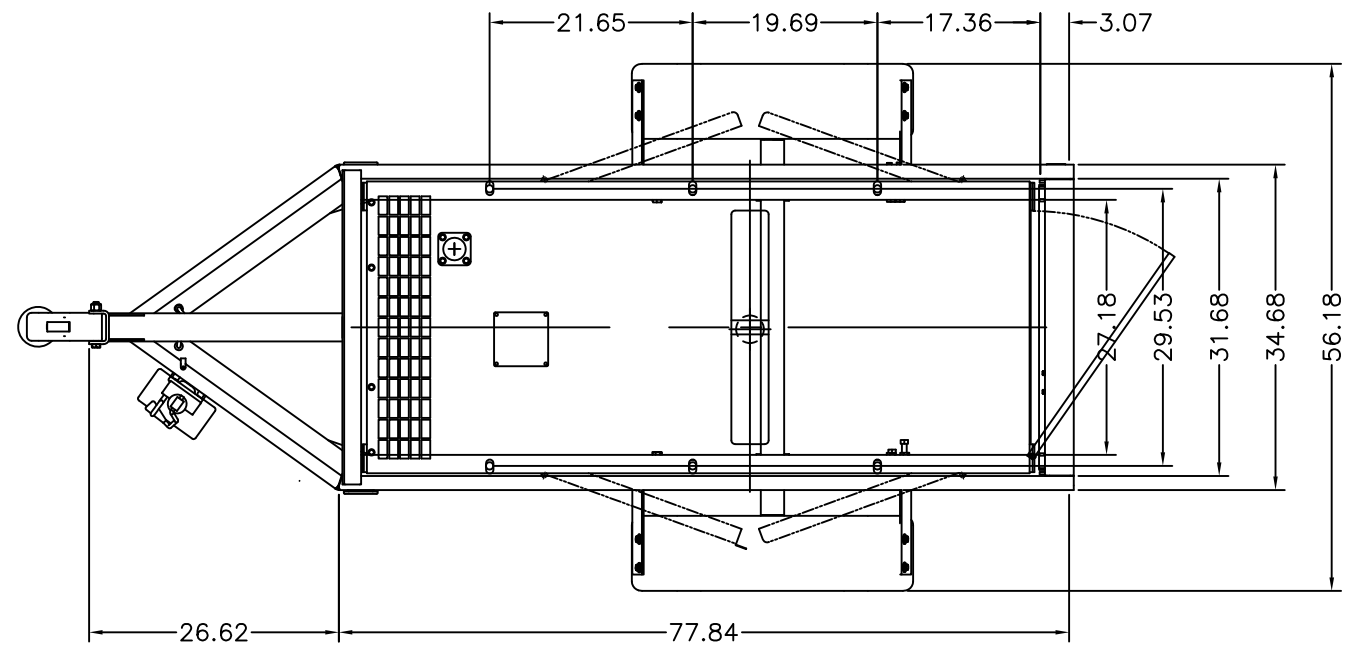


THIS DRAWING AND THE DATA DISCLOSED HEREIN OR HEREWITH IS CONFIDENTIAL AND PROPRIETARY AND IS NOT TO BE REPRODUCED, USED, OR DISCLOSED IN WHOLE OR IN PART TO ANYONE WITHOUT THE EXPRESSED WRITTEN PERMISSION OF MULTQUIP COMPANY.

DWG. NO. 201956

PART LISTS				
ITEM	PART NUMBER	QTY	DESCRIPTION	MANUFACTURE
1	DCA20SPXU4F	1	25KVA GENSET 25USI4CAN GENSET WEIGHT (DRY): 1,806lbs	DENYO
2	TRLR25US	1	TRAILER (MODEL: TRLR25US) TRAILER WT. ONLY: 360lbs G.V.W.R.: 2,720lbs TONGUE WT.: OVERALL DIMENSION: 105L X 56W X 62H	WHITEMAN
3	19045	2	TIRE: ST175/80D13 "C" WHEEL 13 X 4.5J	WHITEMAN
4		1	AXLE, 3,500lbs RATING, NO BRAKE MECHANISM	WHITEMAN
5		1	2K JACK	WHITEMAN
6		1	SEE HITCH OPTION TABLE	



HITCH OPTIONS	
3" ADJUSTABLE EYE 20,000lbs (EE36264 - PRIMED)	
2" BALL COUPLER 10,000lbs (EE43254 - PLATED)	
2-5/16" BALL COUPLER 14,000lbs (EE43253 - PLATED)	

UNLESS OTHERWISE SPECIFIED DIMENSIONS ARE IN INCHES TOLERANCES ARE :		CUSTOMER		MQ POWER TEL: (310) 537-3700/FAX: (310) 632-2656 18910 WILMINGTON AVENUE CARSON, CA 90746	
FRACTIONS	DECIMALS	ANGLES	JOB NO.		
±	.XX ±	±			
	.XXX ±				
DERIVED FROM	MATERIAL	DRAWN	DATE	DCA20SPXU4F GENSET MTD ON TRLR25US TRAILER	
REV	DATE	J. TRAN	04/07/14		
CAD CODE	FINISH	CHECKED		SIZE	FSCM NO.
201956	DO NOT SCALE DRAWING	SALESMAN		D	
				SCALE	DWG. NO.
				1/10	201956
					SHEET
					1 / 1

DWG. NO. 201956