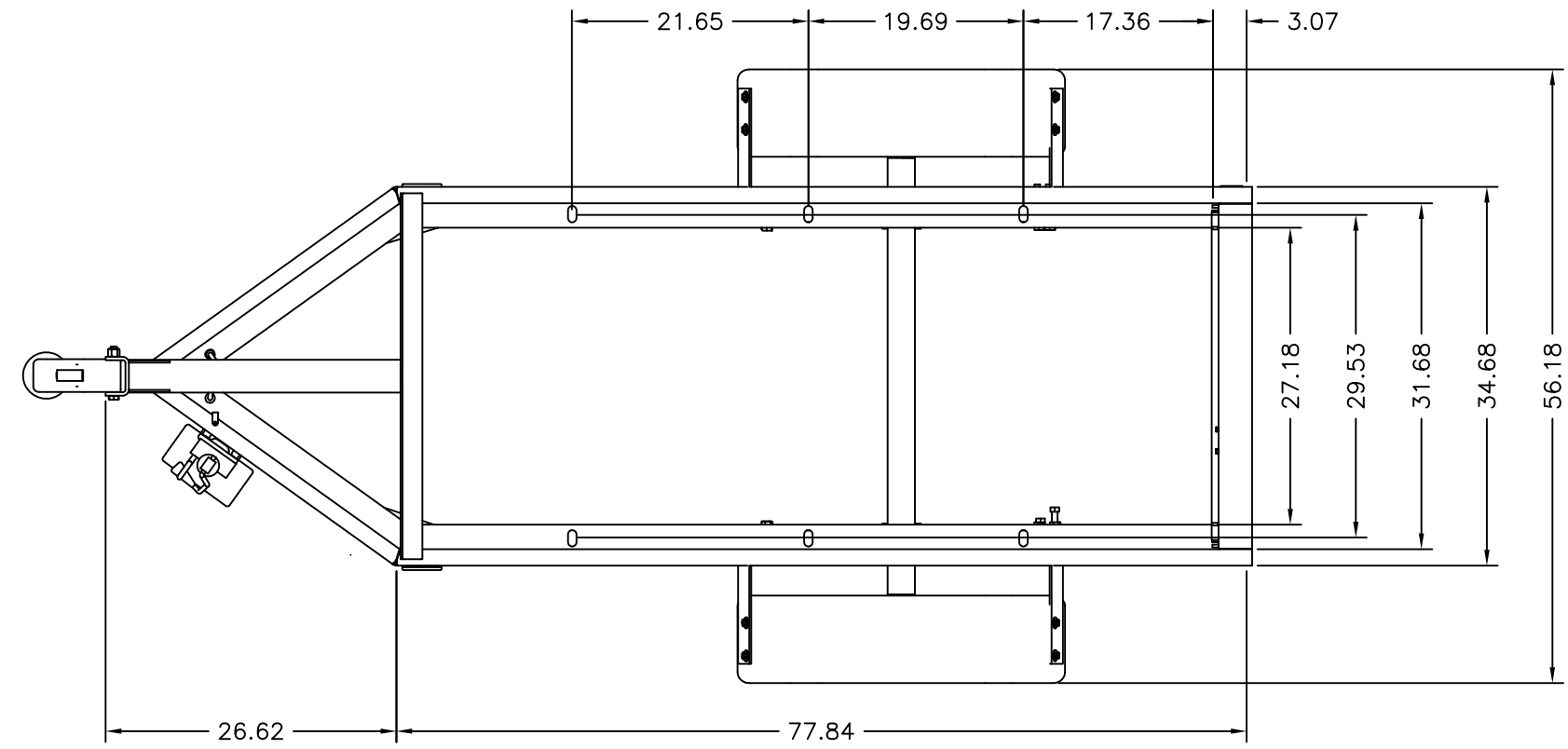
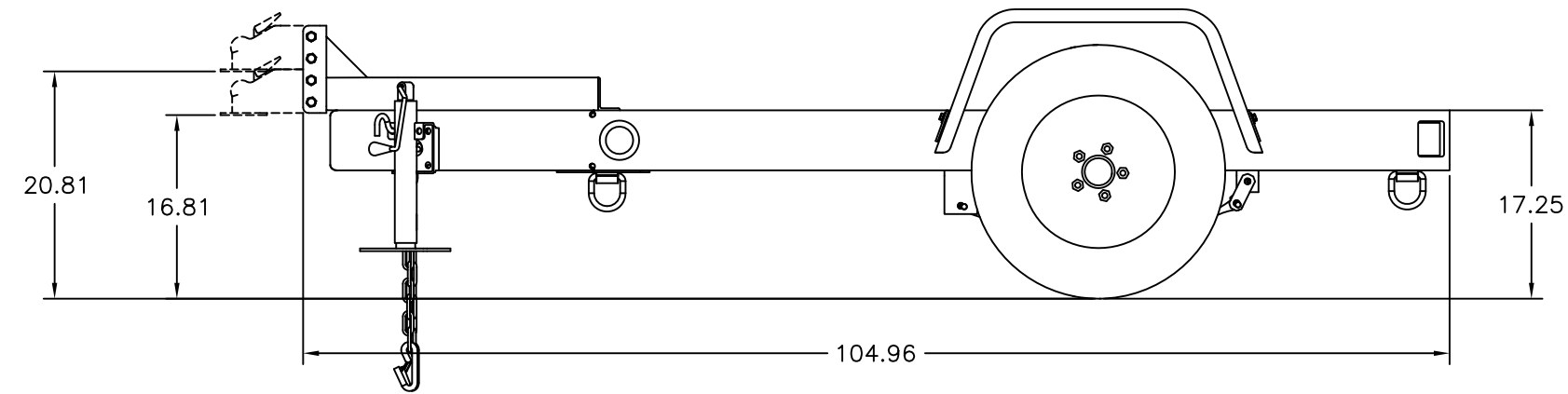


THIS DRAWING AND THE DATA DISCLOSED HEREIN OR HEREWITH IS CONFIDENTIAL AND PROPRIETARY AND IS NOT TO BE REPRODUCED, USED, OR DISCLOSED IN WHOLE OR IN PART TO ANYONE WITHOUT THE EXPRESSED WRITTEN PERMISSION OF MULTIQUIP COMPANY.

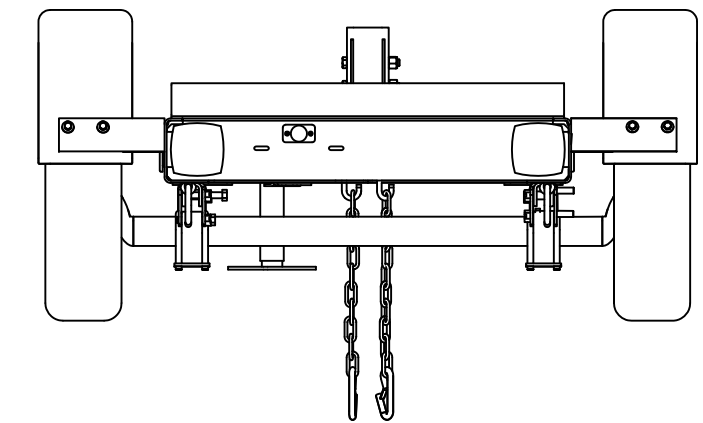
DWG. NO.		201909		REVISION			
ZONE		LTR		DESCRIPTION		DATE	



HITCH OPTIONS	
3" ADJUSTABLE EYE 20,000lbs (EE36264 - PRIMED)	
2" BALL COUPLER 10,000lbs (EE43254 - PLATED)	
2-5/16" BALL COUPLER 14,000lbs (EE43253 - PLATED)	



SIDE VIEW



END VIEW

TRLR25US TRAILER	
WEIGHT (APROX.)	360lbs
LENGTH	105"
WIDTH	56"
FRAME WIDTH	35"
FENDER	JEEP TYPE (QTY 2)
AXLE	3500lbs, NO BRAKES MECHANISM (QTY 1)
TIRES	ST175/80-13C (QTY 2)
WHEELS	13 X 4.5J (QTY 2)
GVWR	2720lbs
JACK	2000lbs (QTY 1)
HITCH	SEE TABLE FOR OPTION

UNLESS OTHERWISE SPECIFIED DIMENSIONS ARE IN INCHES TOLERANCES ARE :		CUSTOMER		MQ POWER TEL: (310) 537-3700/FAX: (310) 632-2656 18910 WILMINGTON AVENUE CARSON, CA 90746	
FRACTIONS	DECIMALS	ANGLES	JOB NO.		
±	.XX ±	±			
	.XXX ±				
DERIVED FROM	MATERIAL	DRAWN	DATE	TRLR25US TRAILER	
REV	DATE	J. TRAN	01/22/14	G.V.W.R.: 2,720 lbs	
CAD CODE	FINISH	CHECKED		SIZE	FSCM NO.
201909	DO NOT SCALE DRAWING	SALESMAN		D	201909
				SCALE	DWG. NO.
				1/8	201909
					SHEET
					1 / 1

DWG. NO. 201909

SHEET 1 / 1