

8

7

6

5

4

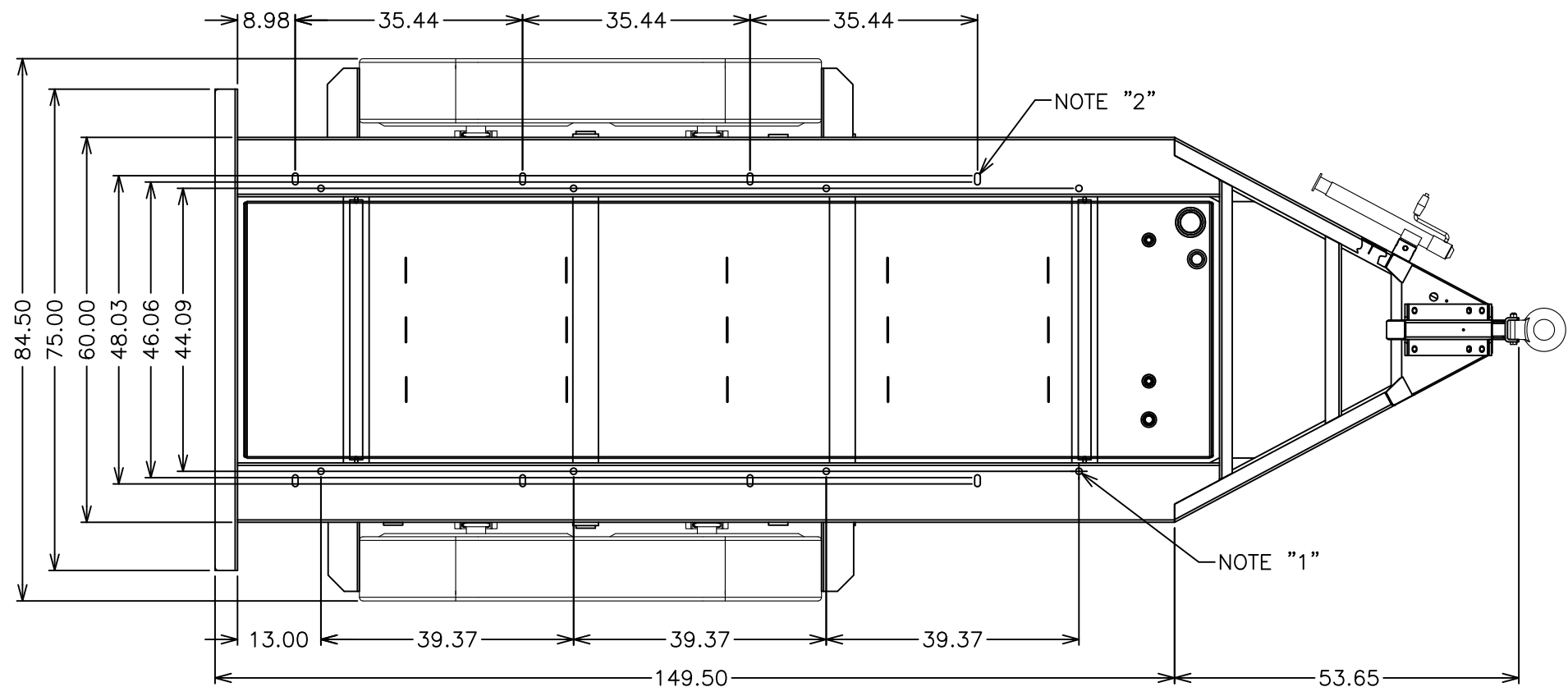
3

201699

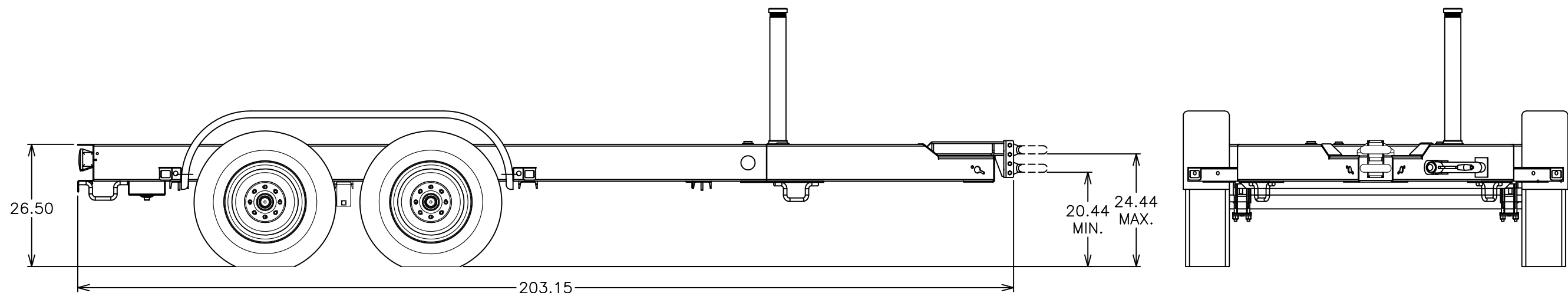
1

THIS DRAWING AND THE DATA DISCLOSED HEREIN OR HEREWITH IS CONFIDENTIAL AND PROPRIETARY AND IS NOT TO BE REPRODUCED, USED, OR DISCLOSED IN WHOLE OR IN PART TO ANYONE WITHOUT THE EXPRESSED WRITTEN PERMISSION OF MULTIQIP COMPANY.

ZONE		LTR	DESCRIPTION	DATE	APPROVED



HITCH OPTIONS	
3" ADJUSTABLE EYE 20,000lbs (EE36264 - PRIMED)	
2-5/16" BALL COUPLER 14,000lbs (EE43253 - PLATED)	



TRLR180XF ELECTRIC BRAKES TRAILER	
WEIGHT	2,548lbs
LENGTH	204"
WIDTH	84.5"
FRAME WIDTH	60"
AXLE	7000lbs (QTY 2) DEXTER AXLE
TIRES	ST235/80R-16 LR-E 3500lbs (QTY 4)
WHEELS	16 X 6 (QTY 4)
GVWR	12,000lbs
JACK	CEQUENT, 5000lbs (QTY 1)
FUEL TANK	210GAL. CAPACITY
HITCH	SEE TABLE FOR OPTION

NOTES:
 1. MOUNTING FOR DCA150SSI/150SSJU3.
 2. MOUNTING FOR DCA150SSCU/180SSCU/180SSI/180SSJU.

UNLESS OTHERWISE SPECIFIED DIMENSIONS ARE IN INCHES TOLERANCES ARE :		CUSTOMER		MQ POWER	
FRACTIONS	DECIMALS	ANGLES	JOB NO.	TEL: (310) 537-3700/FAX: (310) 632-2656 18910 WILMINGTON AVENUE CARSON, CA 90746	
±	.XX ±	±	APPROVALS	DATE	TRLR180XF ELEC. BRAKES TRAILER G.V.W.R.: 12,000lbs
	.XXX ±		DRAWN	01/20/12	SIZE D
DERIVED FROM	MATERIAL	CHECKED	SALESMAN	SCALE	FSCM NO. DWG. NO. SHEET
REV	DATE	FINISH	DO NOT SCALE DRAWING	1/12	201699 1 / 1
CAD CODE	201699				

8

7

6

5

4

3

2

1

201699