
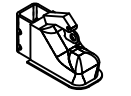
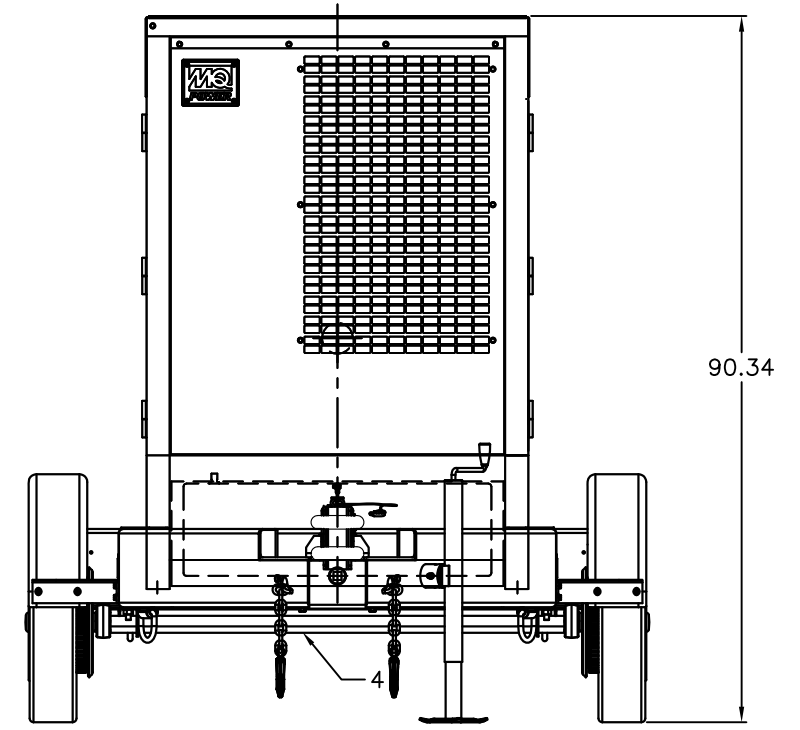
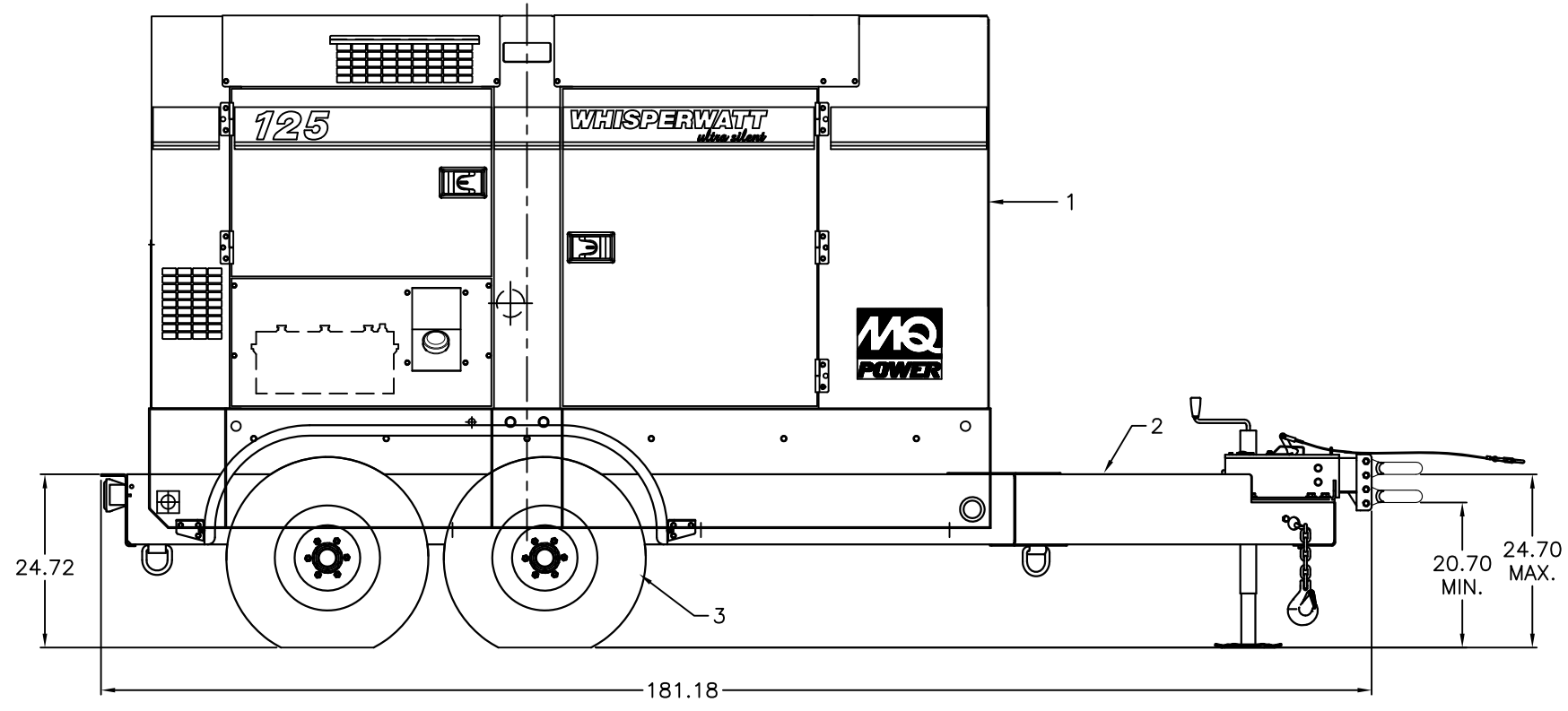
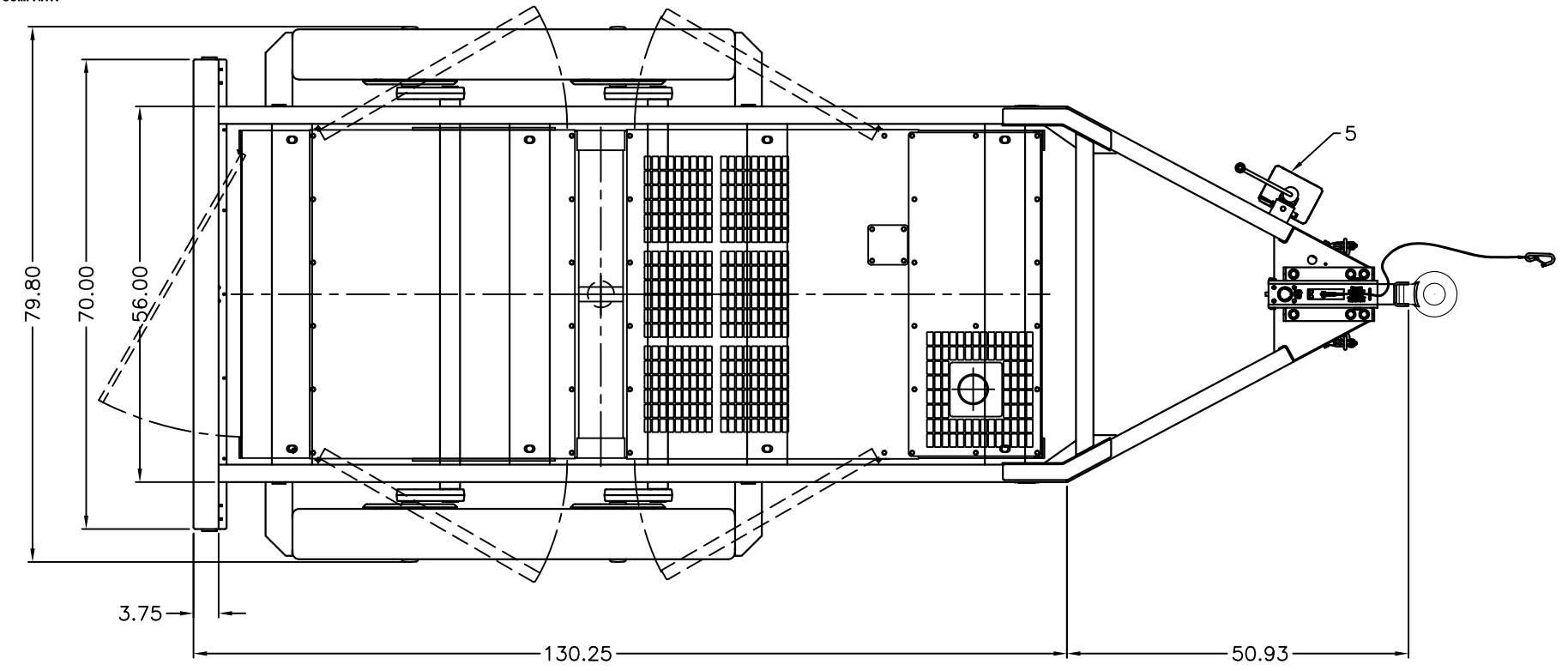


THIS DRAWING AND THE DATA DISCLOSED HEREIN OR HEREWITH IS CONFIDENTIAL AND PROPRIETARY AND IS NOT TO BE REPRODUCED, USED, OR DISCLOSED IN WHOLE OR IN PART TO ANYONE WITHOUT THE EXPRESSED WRITTEN PERMISSION OF MULTIQUIP COMPANY.

PART LISTS				
ITEM	PART NUMBER	QTY	DESCRIPTION	MANUFACTURE
1	DCA125USI3CAN (TIER 3)	1	125KVA GENSET 125SUSI3CAN GENSET WEIGHT (DRY): 6,013bs	MQ POWER
2	TRLR125USH	1	TRAILER (MODEL: TRLR125USH) TRAILER WT. ONLY (APPROX.): 1,722lbs G.V.W.R.: 10,000lbs TONGUE WT.: OVERALL DIMENSION: 181L X 79.5W X 90H	MQ POWER
3	EE44774	4	TIRE ST225/75R-15 LR-D 2540lbs RATING WHEEL 15 X 6	TREDIT TIRE
4	EE56652	2	HYDRAULIC TORSION AXLE, 5,000lbs RATING	DEXTER AXLE
5	EE43518	1	JACK, 5K	CEQUENT
6		1	SEE HITCH OPTION TABLE	

HITCH OPTIONS	
3" ADJUSTABLE EYE 20,000lbs (EE36264 - PRIMED)	
2-5/16" BALL COUPLER 14,000lbs (EE43253 - PLATED)	



UNLESS OTHERWISE SPECIFIED DIMENSIONS ARE IN INCHES TOLERANCES ARE :		CUSTOMER		<b>MQ POWER</b> TEL: (310) 537-3700/FAX: (310) 632-2656 18910 WILMINGTON AVENUE CARSON, CA 90746		
FRACTIONS	DECIMALS	ANGLES	JOB NO.			
±	.XX ±	±		J. TRAN	08/01/13	DCA125USI3CAN GENSET MTD ON TRLR125US HYD. TRAILER
DERIVED FROM		MATERIAL		DRAWN		SIZE
REV	DATE	FINISH		CHECKED		D
CAD CODE 201855		DO NOT SCALE DRAWING		SALESMAN		FSCM NO. 201855
						DWG. NO. 201855
						SHEET 1 / 1
						SCALE 1/12

DWG. NO. 201855