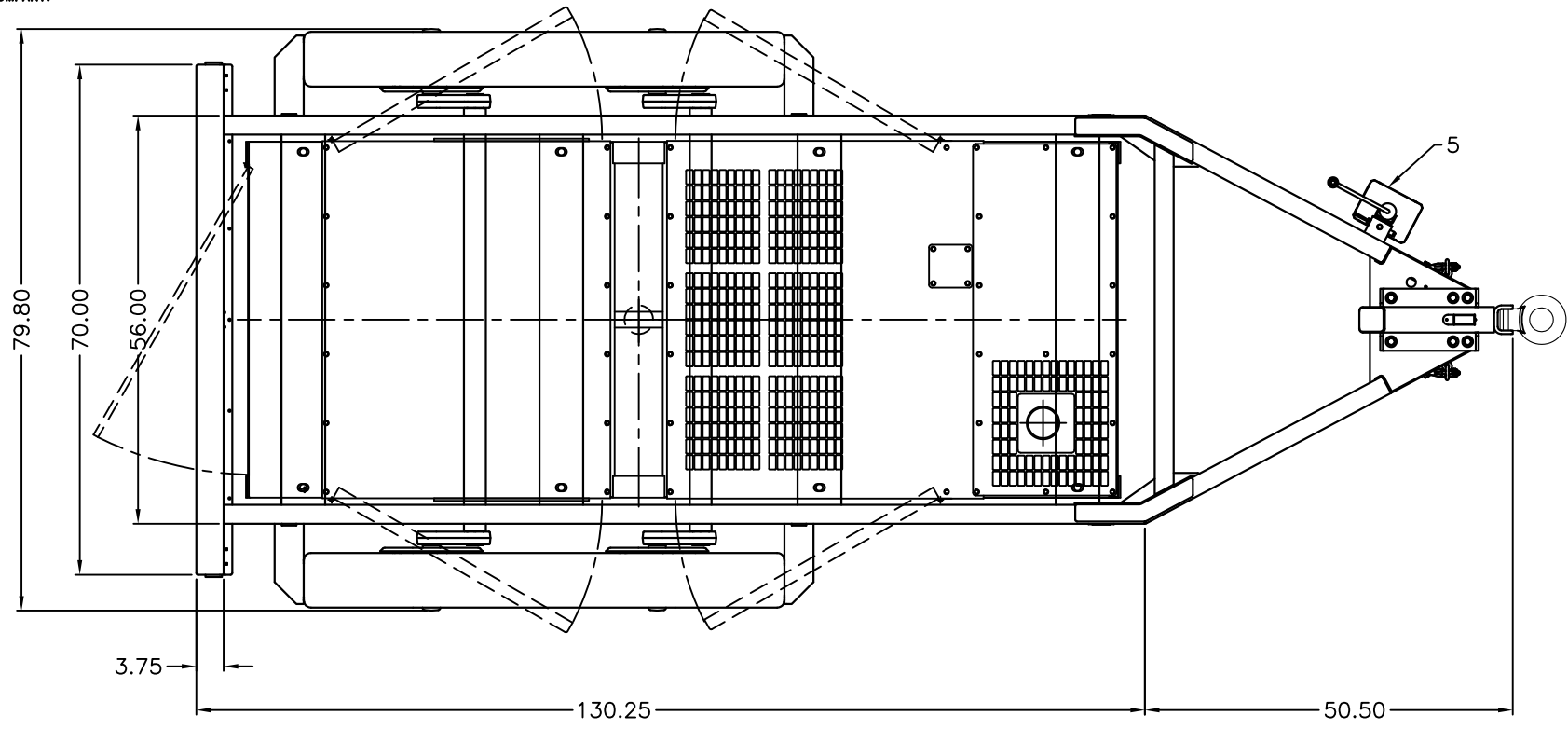
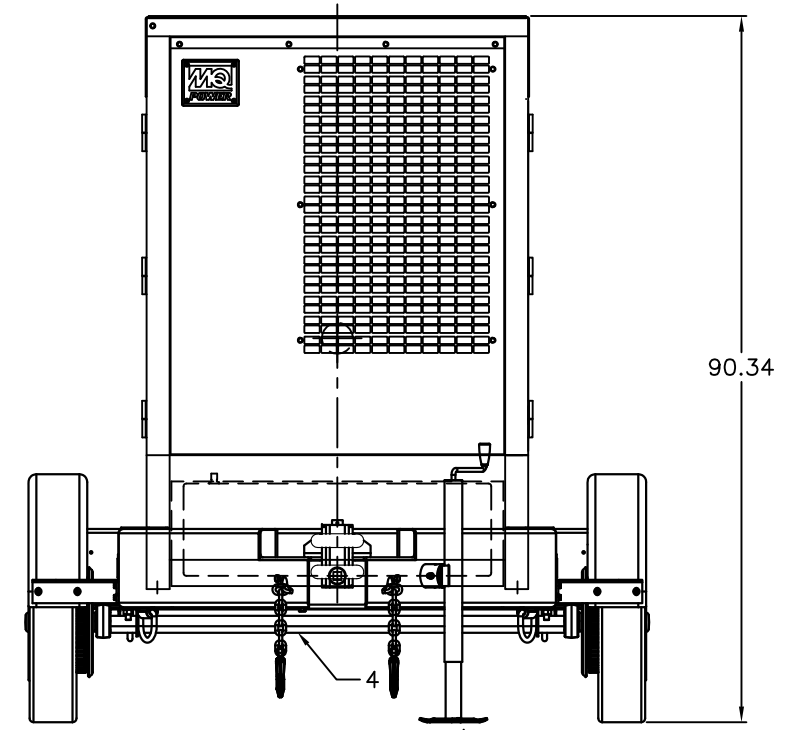
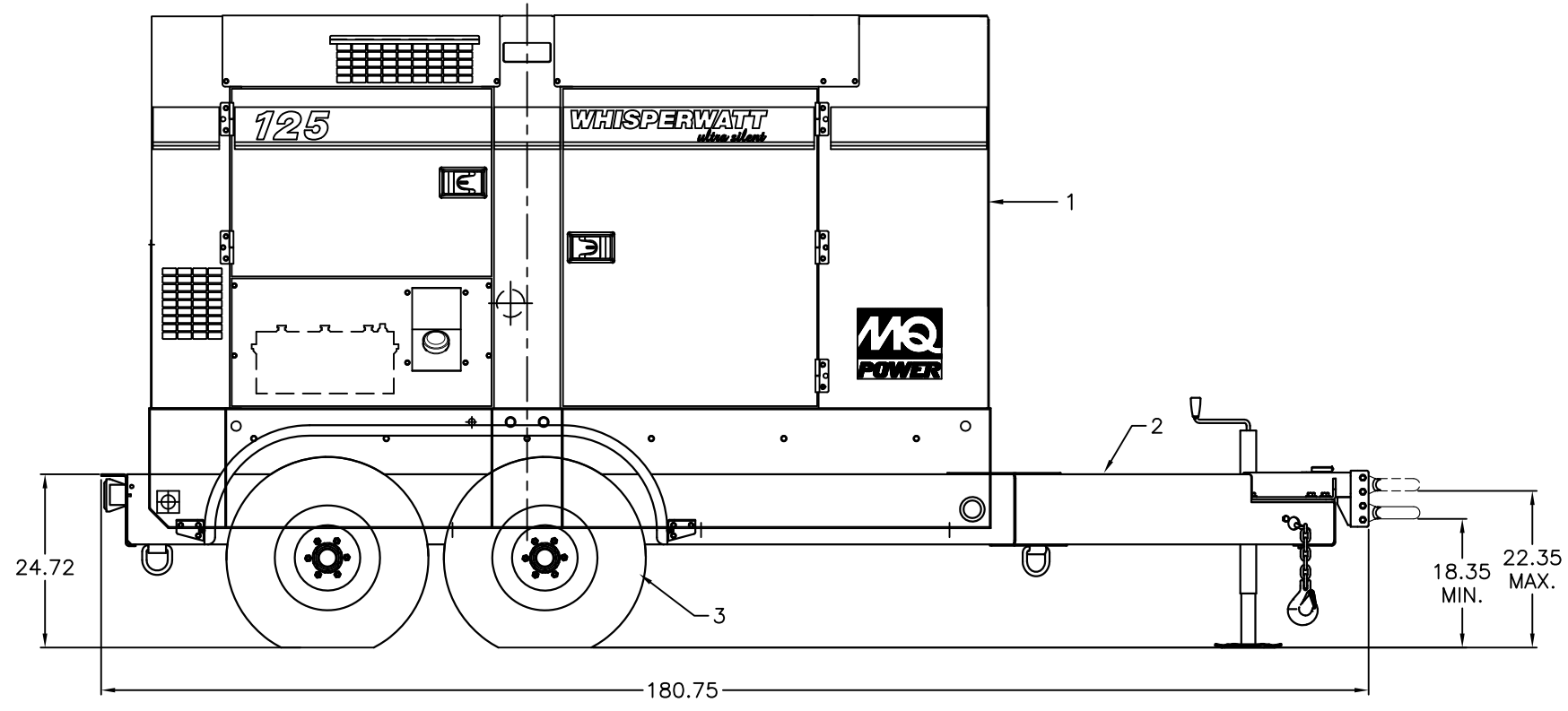


THIS DRAWING AND THE DATA DISCLOSED HEREIN OR HEREWITH IS CONFIDENTIAL AND PROPRIETARY AND IS NOT TO BE REPRODUCED, USED, OR DISCLOSED IN WHOLE OR IN PART TO ANYONE WITHOUT THE EXPRESSED WRITTEN PERMISSION OF MULTIQUIP COMPANY.

PART LISTS				
ITEM	PART NUMBER	QTY	DESCRIPTION	MANUFACTURE
1	DCA125USI3CAN (TIER 3)	1	125KVA GENSET 125USI3CAN GENSET WEIGHT (DRY): 6,013bs	MQ POWER
2	TRLR125USE	1	TRAILER (MODEL: TRLR125USE) TRAILER WT. ONLY (APPROX.): 1,693lbs G.V.W.R.: 10,000lbs TONGUE WT.: OVERALL DIMENSION: 180L X 79.5W X 90H	MQ POWER
3	EE44774	4	TIRE ST225/75R-15 LR-D 2540lbs RATING WHEEL 15 X 6	TREDIT TIRE
4	EE56658	2	ELECTRIC TORSION AXLE, 5,000lbs RATING	DEXTER AXLE
5	EE43518	1	JACK, 5K	CEQUENT
6		1	SEE HITCH OPTION TABLE	



HITCH OPTIONS	
3' ADJUSTABLE EYE 20,000lbs (EE36264 - PRIMED)	
2-5/16" BALL COUPLER 14,000lbs (EE43253 - PLATED)	



UNLESS OTHERWISE SPECIFIED DIMENSIONS ARE IN INCHES TOLERANCES ARE :		CUSTOMER		<b>MQ POWER</b> TEL: (310) 537-3700/FAX: (310) 632-2656 18910 WILMINGTON AVENUE CARSON, CA 90746		
FRACTIONS	DECIMALS	ANGLES	JOB NO.			
±	.XX ±	±				
	.XXX ±					
DERIVED FROM		MATERIAL	APPROVALS	DATE	DCA125USI3CAN GENSET	
REV	DATE	FINISH	J. TRAN	08/01/13	MTD ON TRLR125US ELEC. TRAILER	
CAD CODE 201856		DO NOT SCALE DRAWING		CHECKED	SALESMAN	
				SCALE	FSCM NO.	DWG. NO.
				1/12		201856
						SHEET
						1 / 1