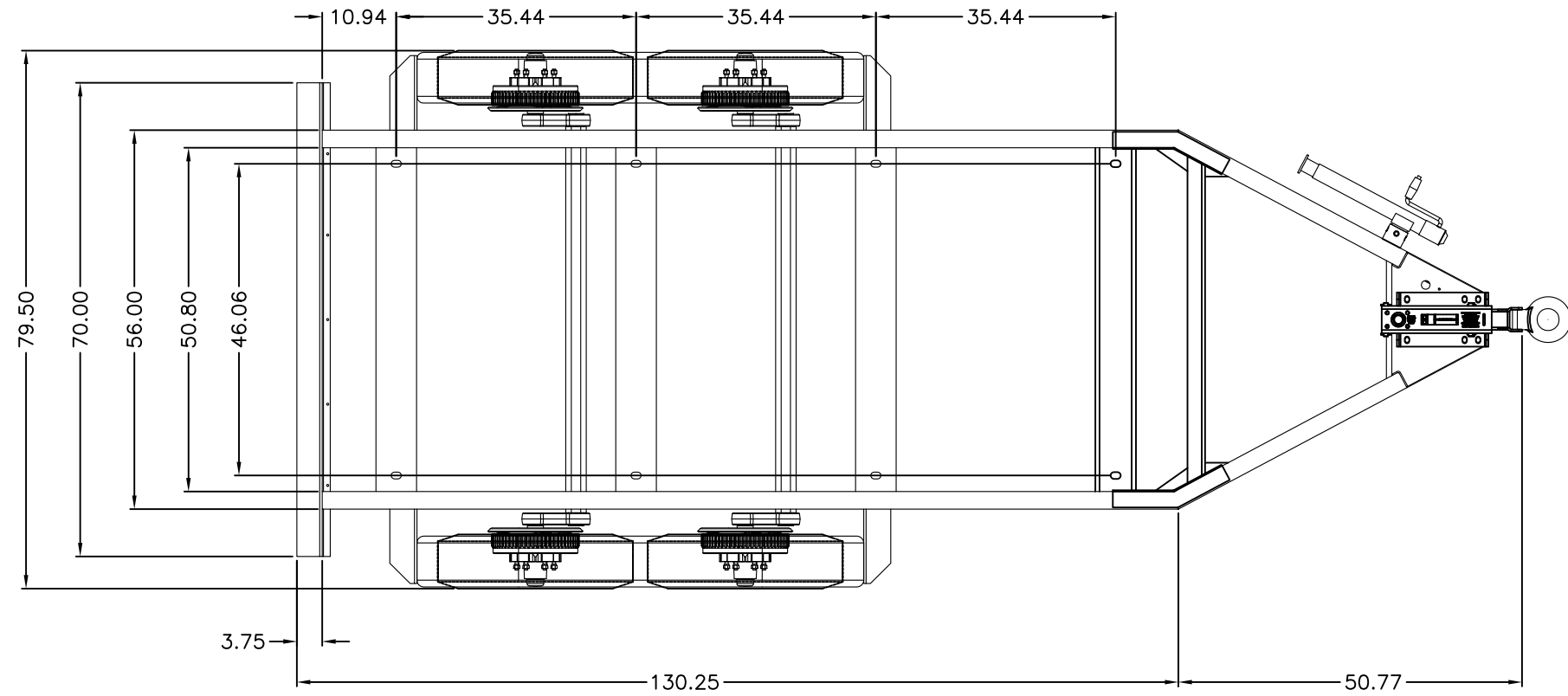


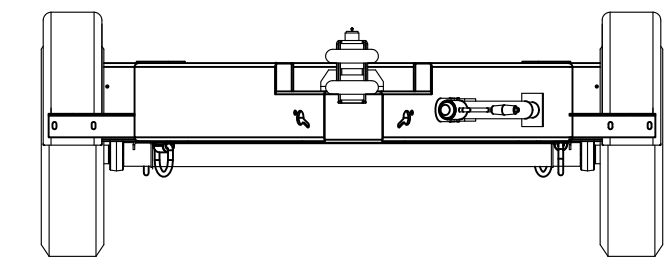
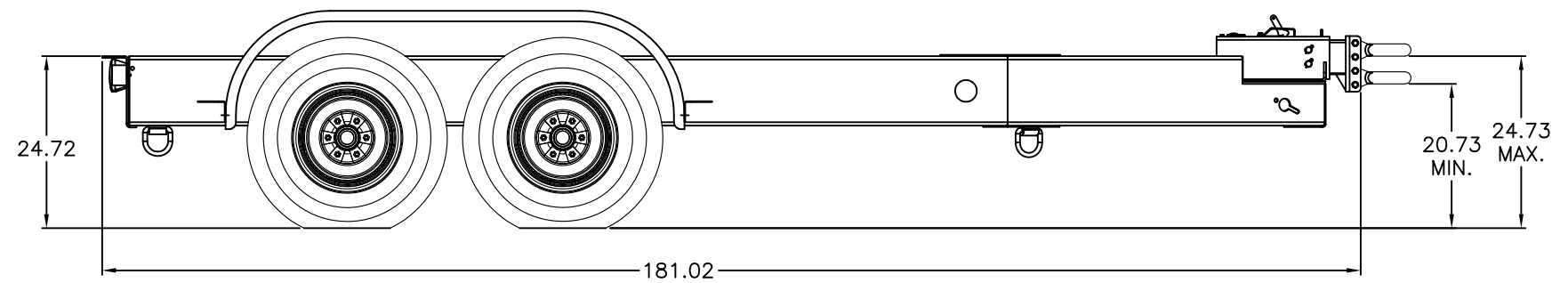
THIS DRAWING AND THE DATA DISCLOSED HEREIN OR HEREWITH IS CONFIDENTIAL AND PROPRIETARY AND IS NOT TO BE REPRODUCED, USED, OR DISCLOSED IN WHOLE OR IN PART TO ANYONE WITHOUT THE EXPRESSED WRITTEN PERMISSION OF MULTIQUIP COMPANY.

DWO. NO.		201813		REVISION			
ZONE	LTR	DESCRIPTION	DATE	APPROVED			



HITCH OPTIONS	
3" ADJUSTABLE EYE 20,000lbs (EE36264 - PRIMED)	
2" BALL COUPLER 10,000lbs (EE43254 - PLATED)	
2-5/16" BALL COUPLER 14,000lbs (EE43253 - PLATED)	

PRELIMINARY DRAWING



TRLR125US HYDRAULIC BRAKES TRAILER	
WEIGHT	XXXXlbs
LENGTH	181"
WIDTH	79.50"
FRAME WIDTH	56"
AXLE	6000lbs (QTY 2) DEXTER AXLE
TIRES	ST225/75R-15 LR-D 2540lbs (QTY 4)
WHEELS	15 X 6 (QTY 4)
GVWR	10,000lbs
JACK	CEQUENT, 5000lbs (QTY 1)
HITCH	SEE TABLE FOR OPTION

UNLESS OTHERWISE SPECIFIED DIMENSIONS ARE IN INCHES TOLERANCES ARE :		CUSTOMER		<b>MQ POWER</b> TEL: (310) 537-3700/FAX: (310) 632-2656 18910 WILMINGTON AVENUE CARSON, CA 90746	
FRACTIONS	DECIMALS	ANGLES	JOB NO.		
±	.XX ±	±			
	.XXX ±				
DERIVED FROM	MATERIAL	APPROVALS	DATE	TRLR125US HYD. BRAKES TRAILER G.V.W.R.: 10,000LBS	
REV	DATE	DRAWN		SIZE	FSCM NO.
		J. TRAN	08/09/12	D	
CAD CODE	DO NOT SCALE DRAWING	CHECKED		SCALE	DWG. NO.
201813				1/12	201813
		SALESMAN			SHEET
					1 / 1

DWO. NO.  
201813