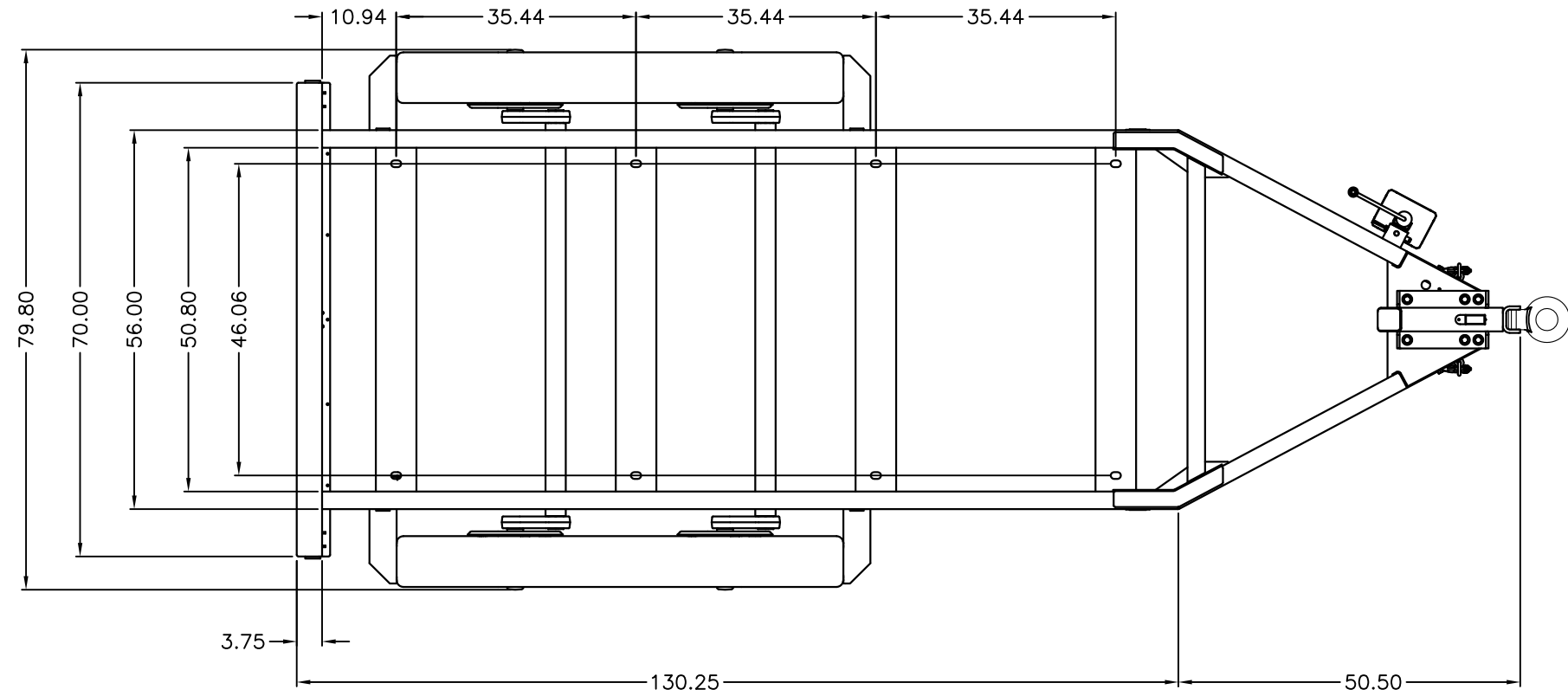


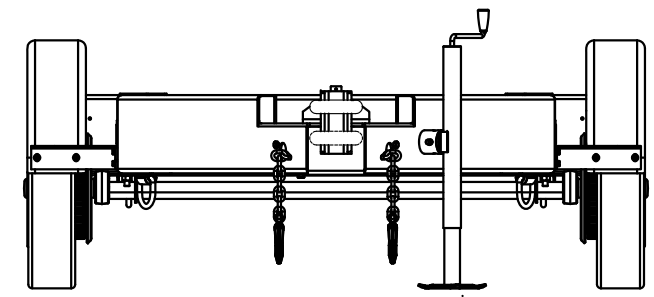
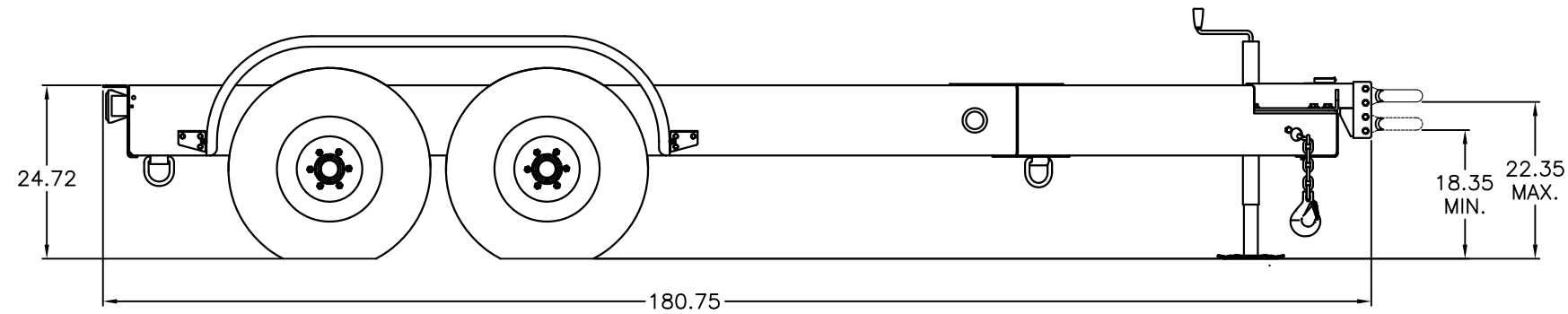
THIS DRAWING AND THE DATA DISCLOSED HEREIN OR HEREWITH IS CONFIDENTIAL AND PROPRIETARY AND IS NOT TO BE REPRODUCED, USED, OR DISCLOSED IN WHOLE OR IN PART TO ANYONE WITHOUT THE EXPRESSED WRITTEN PERMISSION OF MULTIQUIP COMPANY.

DWG. NO. 201814 REVISION A1

REVISIONS				
ZONE	LTR	DESCRIPTION	DATE	APPROVED
A		RELOCATED AXLES 3" TOWARD BUMPER	10/26/12	JT
A1		USED BOLT-ON FENDER BRACKETS	07/31/13	JT



HITCH OPTIONS	
3" ADJUSTABLE EYE 20,000lbs (EE36264 - PRIMED)	
2" BALL COUPLER 10,000lbs (EE43254 - PLATED)	
2-5/16" BALL COUPLER 14,000lbs (EE43253 - PLATED)	



TRLR125US ELECTRIC BRAKES TRAILER	
WEIGHT	1693lbs
LENGTH	181"
WIDTH	79.50"
FRAME WIDTH	56"
TORSION AXLE	5000lbs (QTY 2) DEXTER AXLE
TIRES	ST225/75R-15 LR-D 2540lbs (QTY 4)
WHEELS	15 X 6 (QTY 4)
GVWR	10,000lbs
JACK	CEQUENT, 5000lbs (QTY 1)
HITCH	SEE TABLE FOR OPTION

UNLESS OTHERWISE SPECIFIED DIMENSIONS ARE IN INCHES TOLERANCES ARE : FRACTIONS DECIMALS ANGLES ± .XX ± ± .XXX ±	CUSTOMER		MQ POWER TEL: (310) 537-3700/FAX: (310) 632-2656 18910 WILMINGTON AVENUE CARSON, CA 90746
	JOB NO.		
DERIVED FROM	MATERIAL	APPROVALS	DATE
REV A1	DATE 07/31/13	DRAWN J. TRAN	08/09/12
CAD CODE 201814	FINISH	CHECKED	DATE
	DO NOT SCALE DRAWING	SALESMAN	
		SIZE D	FSCM NO. 201814
		SCALE 1/12	DWG. NO. 201814 SHEET 1 / 1

DWG. NO. 201814 REVISION A1