

8

7

6

5

4

3

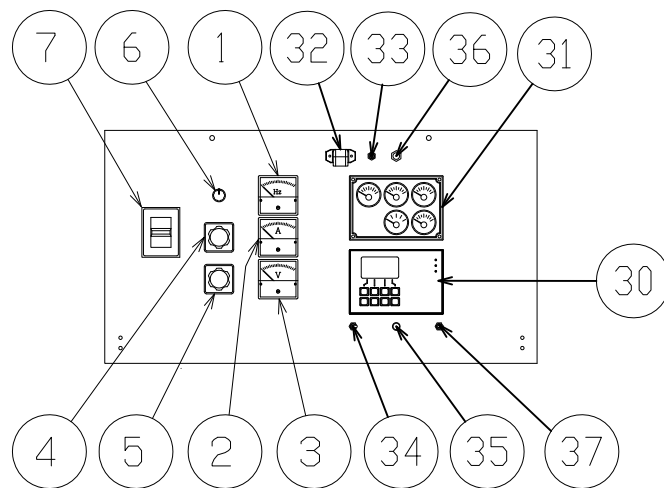
202057

1

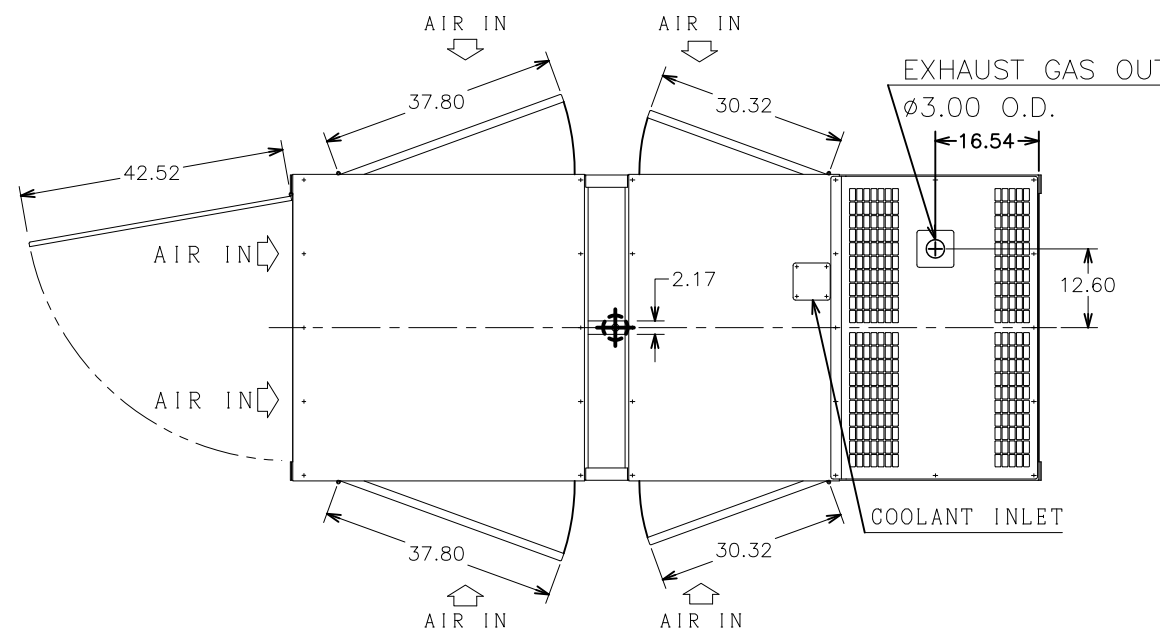
THIS DRAWING AND THE DATA DISCLOSED HEREIN OR HEREWITH IS CONFIDENTIAL AND PROPRIETARY AND IS NOT TO BE REPRODUCED, USED, OR DISCLOSED IN WHOLE OR IN PART TO ANYONE WITHOUT THE EXPRESSED WRITTEN PERMISSION OF MULTIQUIP COMPANY.

REVISIONS				
ZONE	LTR	DESCRIPTION	DATE	APPROVED

CONTROL PANEL		OPERATING PANEL	
No.	NAME	No.	NAME
1	FREQUENCY METER	30	AUTO START/STOP CONTROLLER (ECU CONTROLLER)
2	AC AMMETER	31	GAUGE UNIT ASSY
3	AC VOLTMETER		• OIL PRESSURE GAUGE
4	AMMETER CHANGE-OVER SWITCH		• WATER TEMPERATURE GAUGE
5	VOLTMETER CHANGE-OVER SWITCH		• CHARGING VOLTMETER
6	VOLTAGE REGULATOR		• FUEL GAUGE
7	CIRCUIT BREAKER(3-PHASE)		• TACHOMETER
		32	PANEL LIGHT
		33	PANEL LIGHT SWITCH
		34	HOUR CHECK BUTTON
		35	AUTO START/STOP SWITCH
		36	FUEL LEAK DETECTED ALARM LAMP
		37	ENGINE SPEED SWITCH

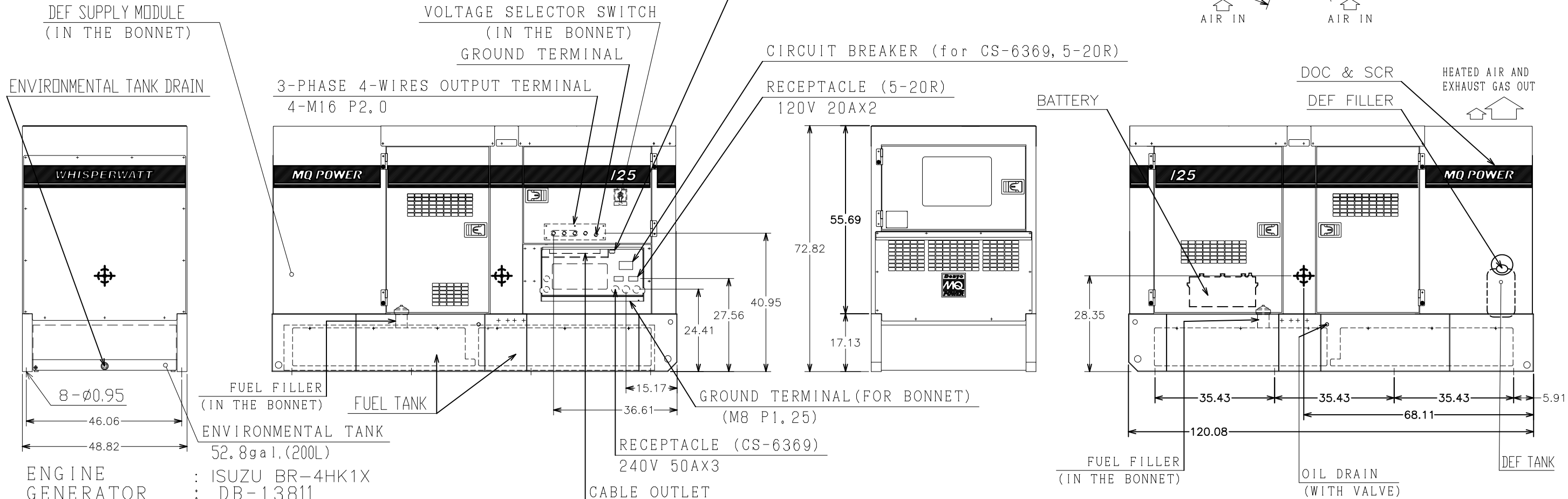


CONTROL AND OPERATION PANEL



C

C



B

B

A

A

ENGINE : ISUZU BR-4HK1X
 GENERATOR : DB-13811
 DRY WEIGHT : 5286 lbs (2400 kg)
 TOTAL WEIGHT : 6696 lbs (3040 kg)
 DEF TANK : 7.4GAL. (28L)
 FUEL TANK : 169 gal. (640L)
 BATTERY SIZE : 4D(CCA 0°F 1050A) x1
 : CENTER OF GRAVITY
 (FUEL:HALF OIL, COOLANT:FULL)

UNLESS OTHERWISE SPECIFIED DIMENSIONS ARE IN INCHES TOLERANCES ARE : FRACTIONS DECIMALS ANGLES ± .XX ± ± .XXX ±	CUSTOMER		MQ POWER TEL: (310) 537-3700/FAX: (310) 632-2656 18910 WILMINGTON AVENUE CARSON, CA 90746
	JOB NO.		
DERIVED FROM M38043 00303	MATERIAL	APPROVALS	DATE
REV	DATE	J. TRAN	06/10/15
CAD CODE 202057	FINISH	CHECKED	SALESMAN
	DO NOT SCALE DRAWING		
		OUTLINE DRAWING DCA125SSIU4F (TIER 4F)	
		SIZE D	FSCM NO. 202057
		SCALE 1/15	SHEET 1 / 1

202057