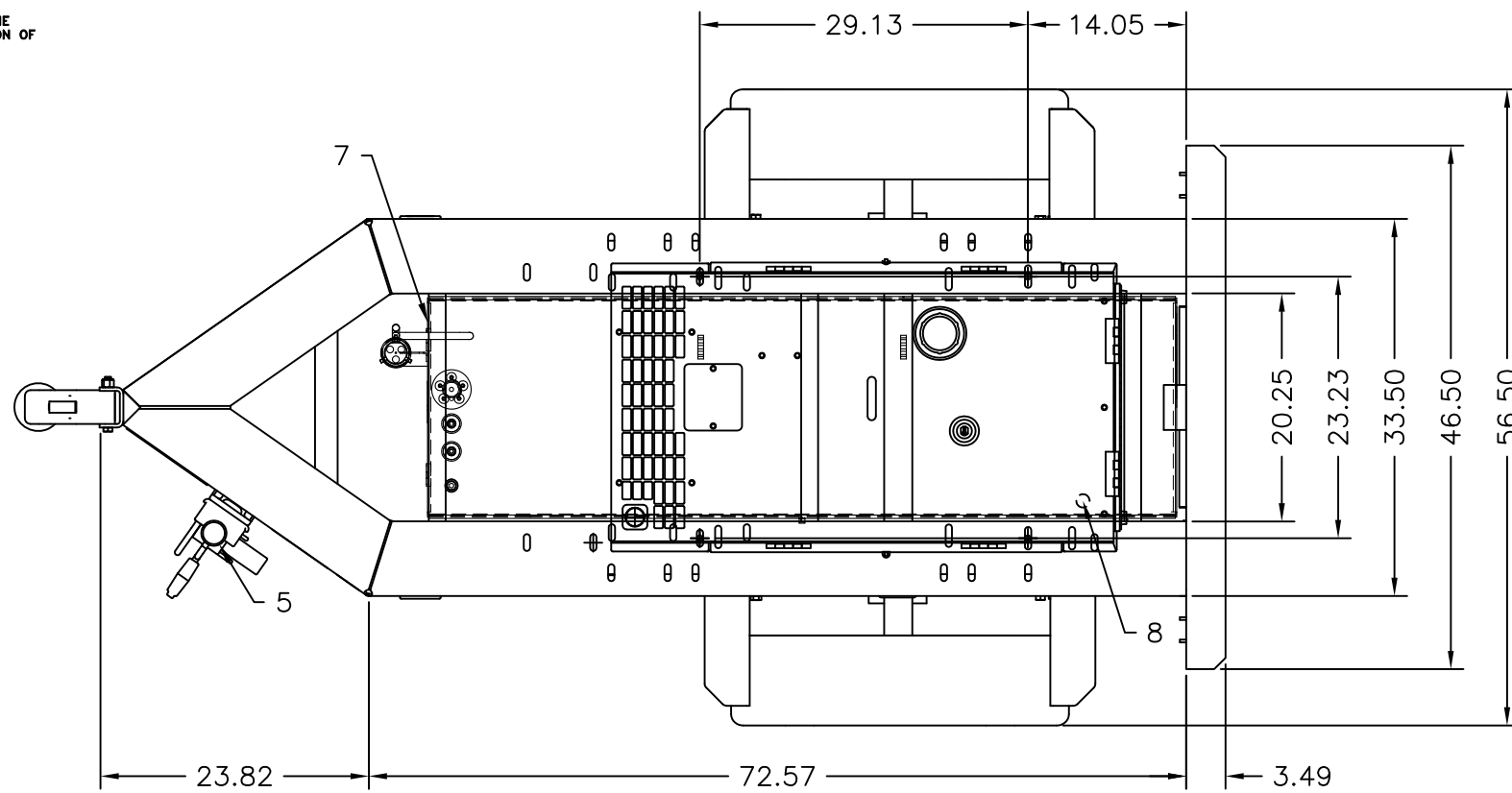
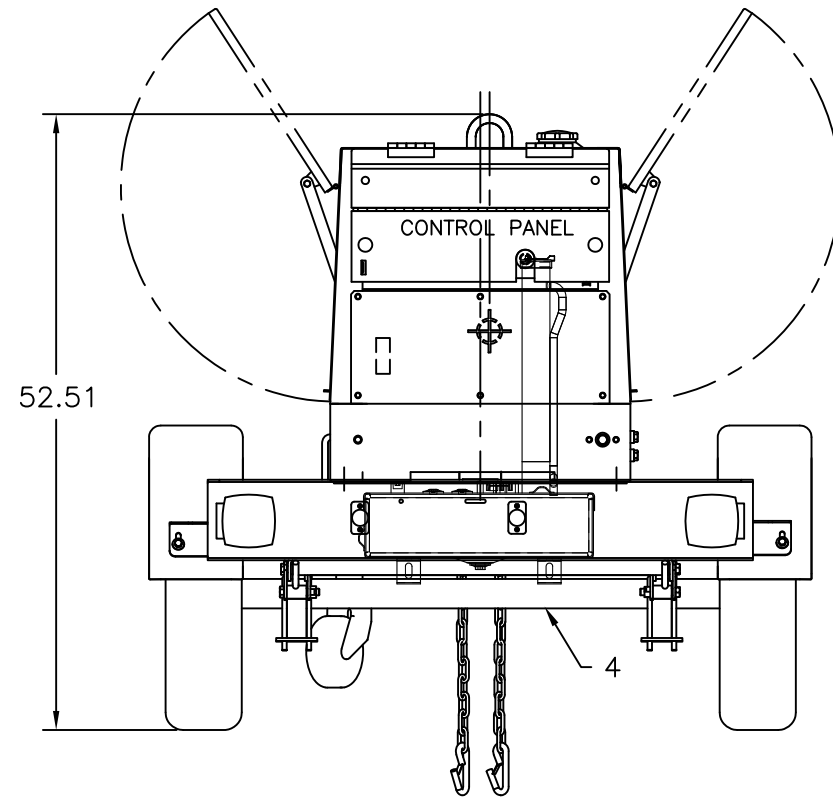
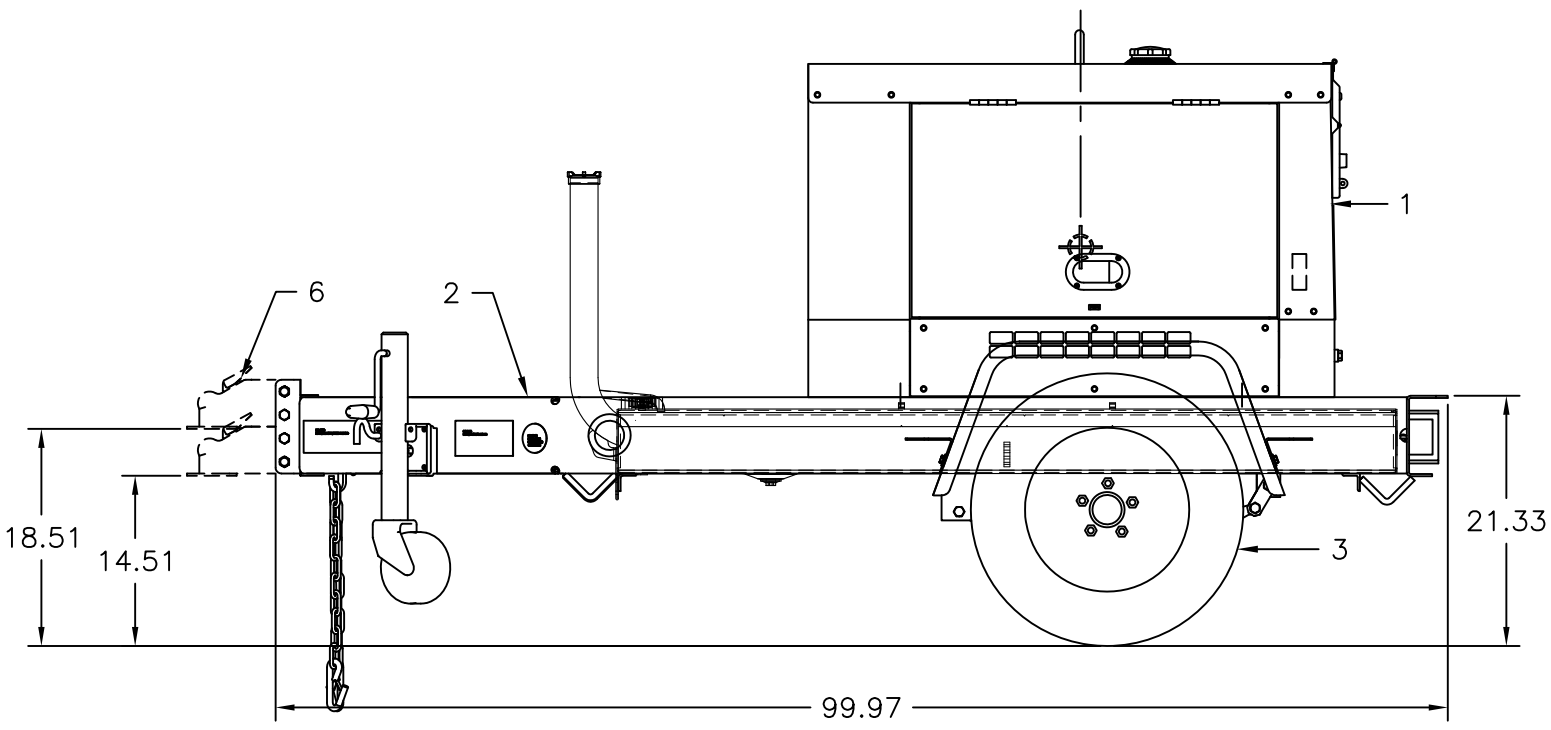


THIS DRAWING AND THE DATA DISCLOSED HEREIN OR HEREWITH IS CONFIDENTIAL AND PROPRIETARY AND IS NOT TO BE REPRODUCED, USED, OR DISCLOSED IN WHOLE OR IN PART TO ANYONE WITHOUT THE EXPRESSED WRITTEN PERMISSION OF MULTQUIP COMPANY.

DWG. NO. 201971 REVISION 02



PART LISTS				
ITEM	PART NUMBER	QTY	DESCRIPTION	MANUFACTURE
1	DA7000SSA1	1	7KVA GENSET 7000SSA1 GENSET WEIGHT (DRY): 527lbs	DENYO
2	TRLRMP-XF	1	TRAILER (MODEL:TRLRMP-XF) TRAILER WT. ONLY: 508lbs G.V.W.R.: 2,760lbs TONGUE WT.: OVERALL DIMENSION: 100L X 57W X 57H	WHITEMAN
3	EE45318	2	TIRE: ST175/80-13C WHEEL: 13 X 4.5	TASKMASTER
4		1	AXLE: 3500lbs, NO BRAKING MECHANISM	
5		1	JACK, 2K	
6		1	2" BALL CLASS	
7	EE55144	1	FUEL TANK CAPACITY: 28GAL.	TRANSFER FLOW
8	EE53069	1	PUMP, ELECTRIC FUEL	FACET



UNLESS OTHERWISE SPECIFIED DIMENSIONS ARE IN INCHES TOLERANCES ARE :		CUSTOMER		<b>MQ POWER</b> TEL: (310) 537-3700/FAX: (310) 632-2656 18910 WILMINGTON AVENUE CARSON, CA 90746			
FRACTIONS	DECIMALS	ANGLES	JOB NO.				
±	.XX ±	±					
	.XXX ±						
DERIVED FROM		MATERIAL		APPROVALS		DATE	
REV	DATE	FINISH		DRAWN		DATE	
02	08/05/15			J. TRAN		05/13/14	
CAD CODE 201971		DO NOT SCALE DRAWING		CHECKED			
				SALESMAN			
				SIZE D		FSCM NO.	
				SCALE 1/8		DWG. NO. 201971	
						SHEET 1 / 1	

DWG. NO. 201971 REVISION 02