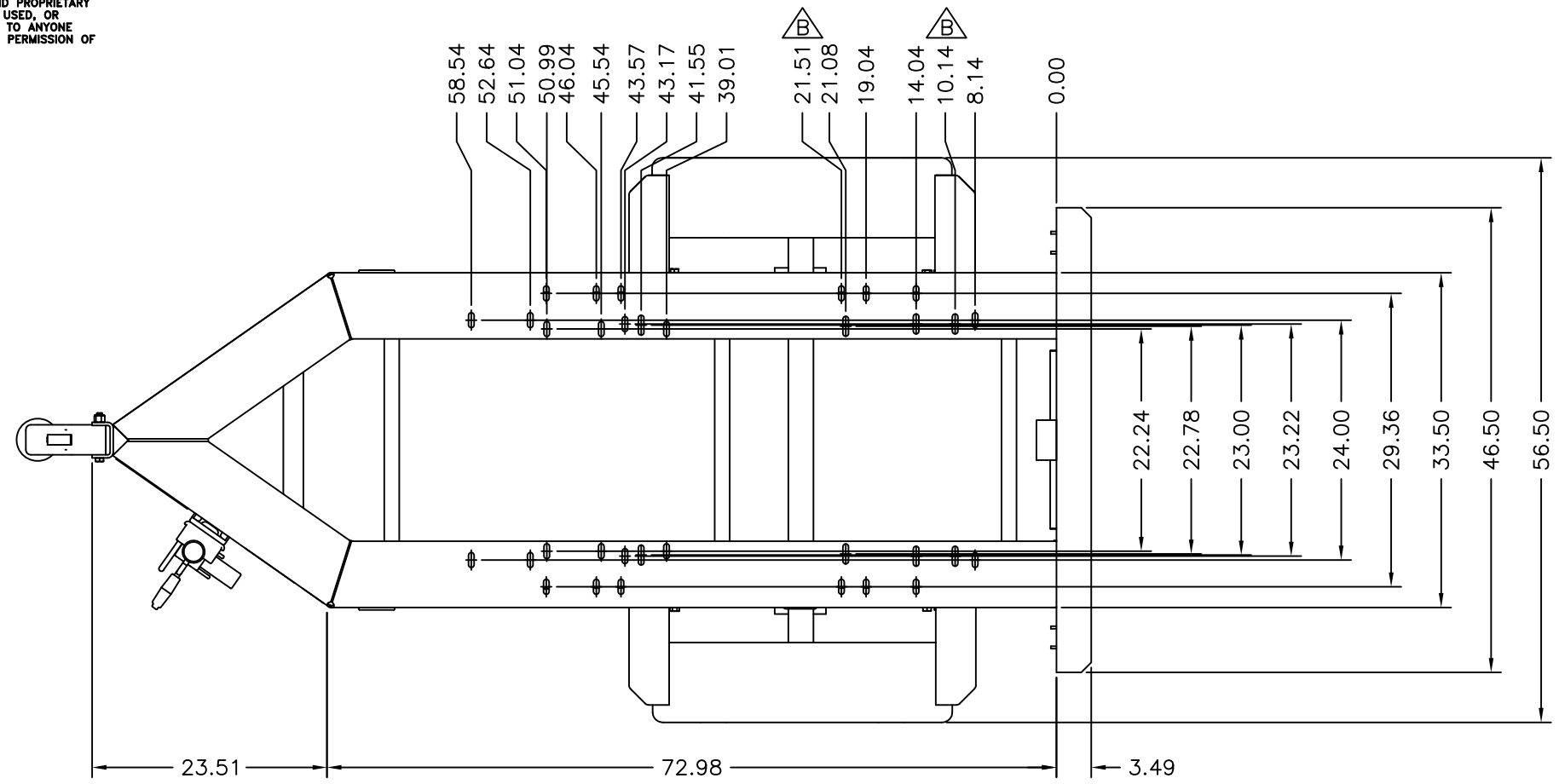


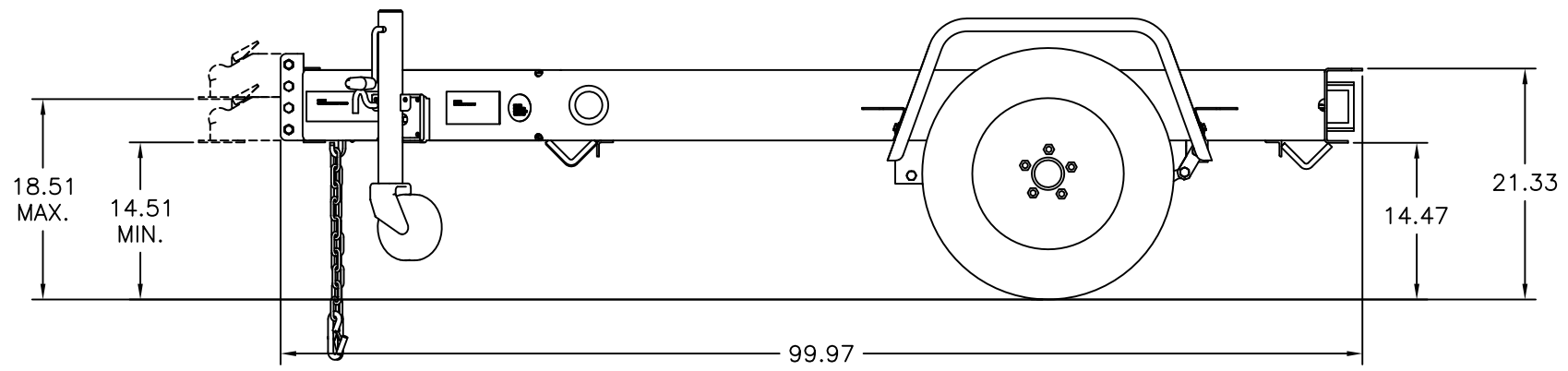
THIS DRAWING AND THE DATA DISCLOSED HEREIN OR HEREWITH IS CONFIDENTIAL AND PROPRIETARY AND IS NOT TO BE REPRODUCED, USED, OR DISCLOSED IN WHOLE OR IN PART TO ANYONE WITHOUT THE EXPRESSED WRITTEN PERMISSION OF MULTQUIP COMPANY.

DWG. NO. 200982 REVISION B

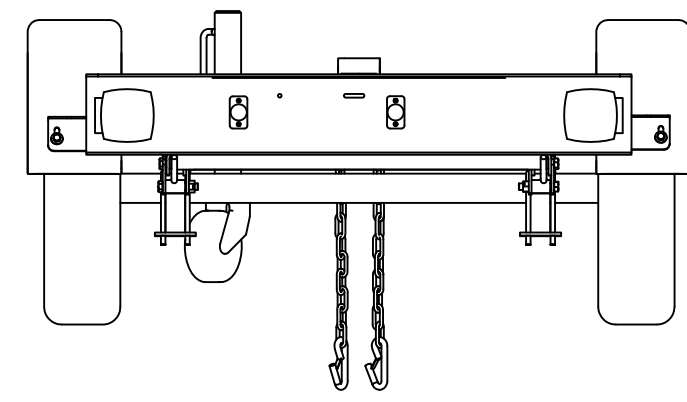
REVISIONS				
ZONE	LTR	DESCRIPTION	DATE	APPROVED
	A	UPDATED DRAWING	11/29/07	JT
	A1	GVWR 2760LBS, WAS 2000LBS	7/17/15	JT
	B	ADDED SLOTS, 21.51" & 10.14"	7/21/15	JT



TOP VIEW



SIDE VIEW



END VIEW

TRLRMP TRAILER	
WEIGHT (APPROX.)	403lbs
LENGTH	100"
WIDTH	56.5"
FRAME WIDTH	33.5"
AXLE	3500lbs, NO BRAKING MECHANISM (QTY 1)
TIRES	ST175/80-13C (QTY 2)
WHEELS	13 X 4.5 (QTY 2)
GVWR	2,760lbs
JACK	JACK, 2K

UNLESS OTHERWISE SPECIFIED DIMENSIONS ARE IN INCHES TOLERANCES ARE :		CUSTOMER		MQ POWER TEL: (310) 537-3700/FAX: (310) 632-2656 18910 WILMINGTON AVENUE CARSON, CA 90746	
FRACTIONS	DECIMALS	ANGLES	JOB NO.		
±	.XX ±	±			
	.XXX ±				
DERIVED FROM		MATERIAL		TRLRMP TRAILER	
REV	DATE	FINISH		G.V.W.R.: 2,760lbs	
B	7/21/15	DO NOT SCALE DRAWING		SIZE	FSCM NO.
CAD CODE	200982			D	200982
				SCALE	SHEET
				1/8	1 / 1

DWG. NO. 200982 REVISION B