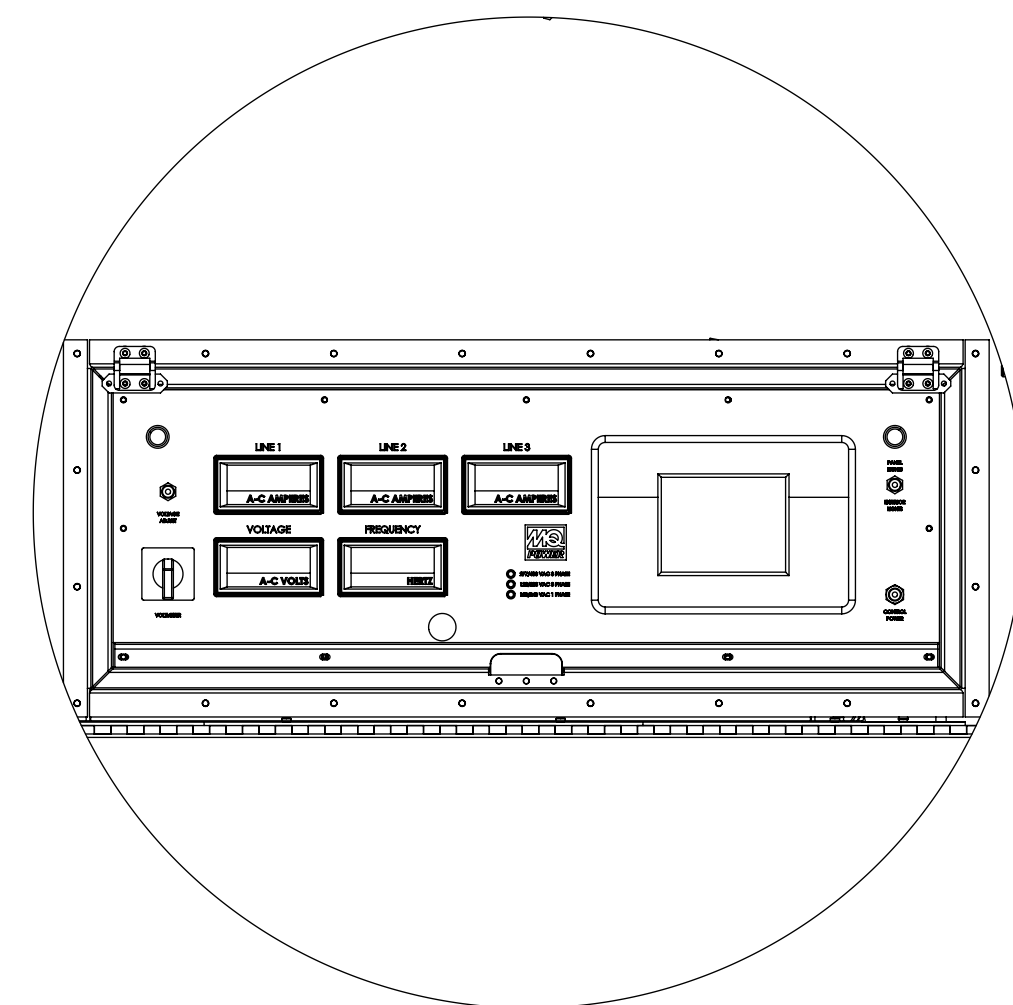
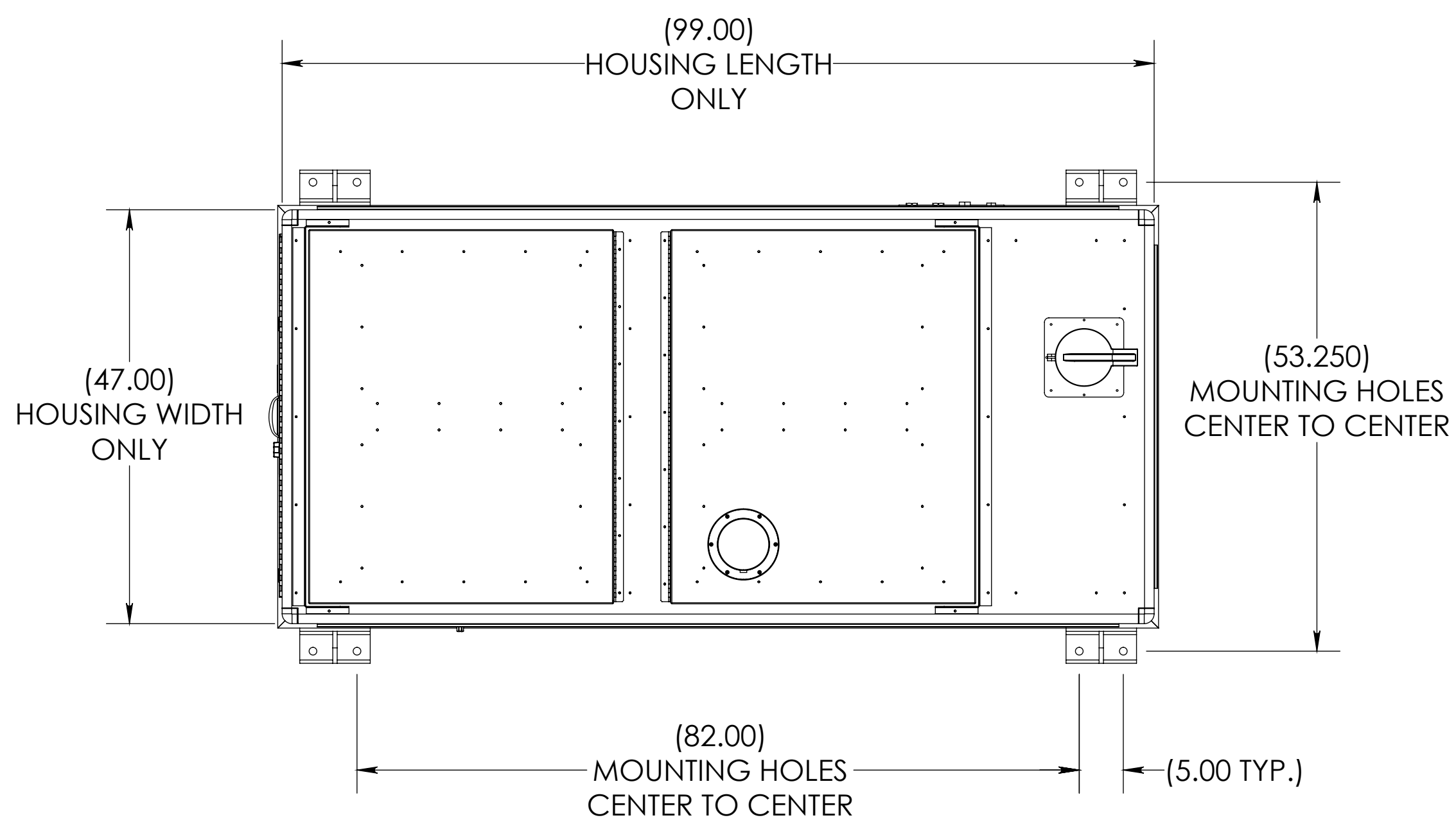


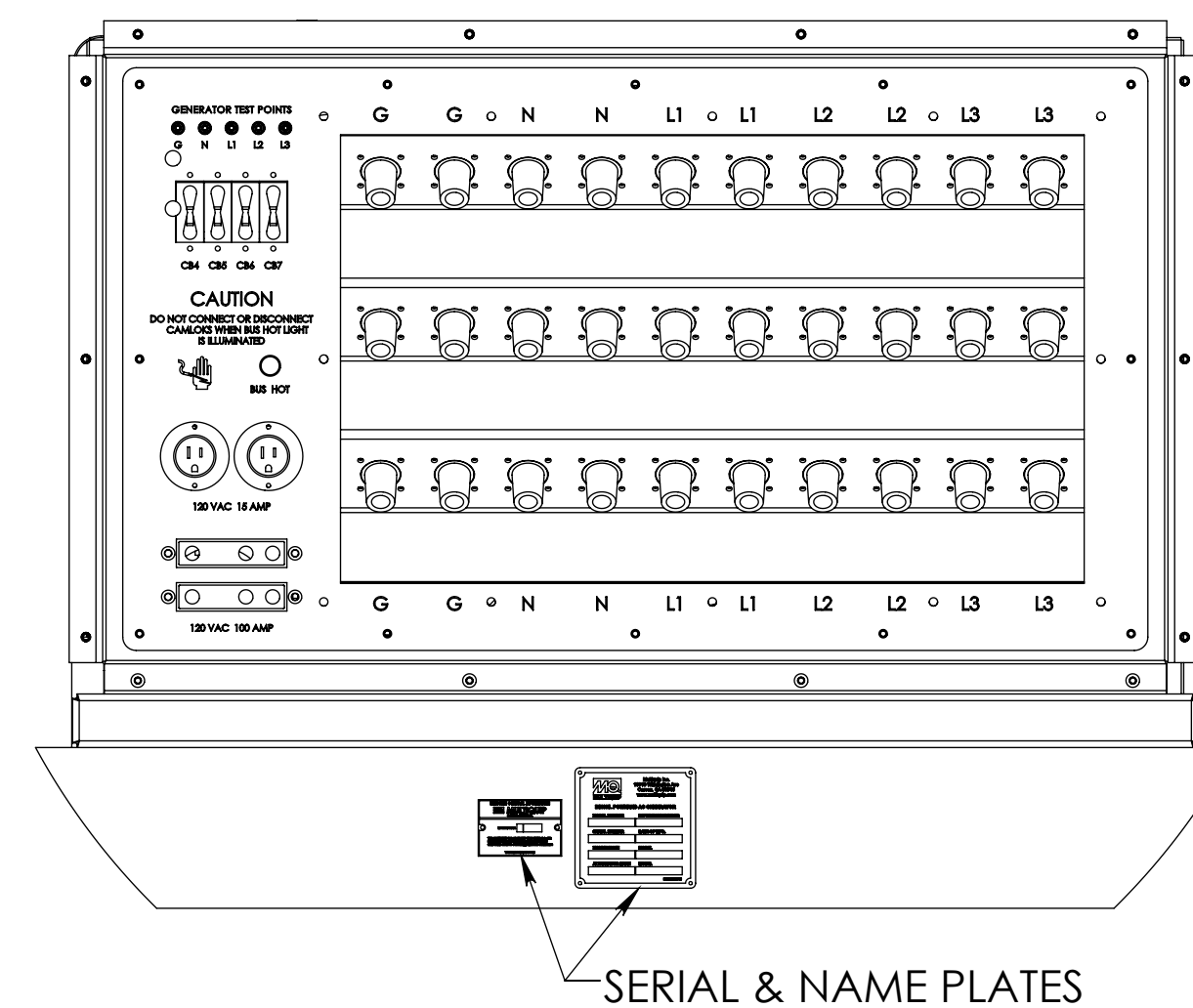
REVISIONS				
ECO	REV.	DESCRIPTION	DATE	APPROVED BY
	A	INITIAL RELEASE	11/19/2015	FCALVILLO

ASSY, CONTROL BOX, TIER 4F STUDIO



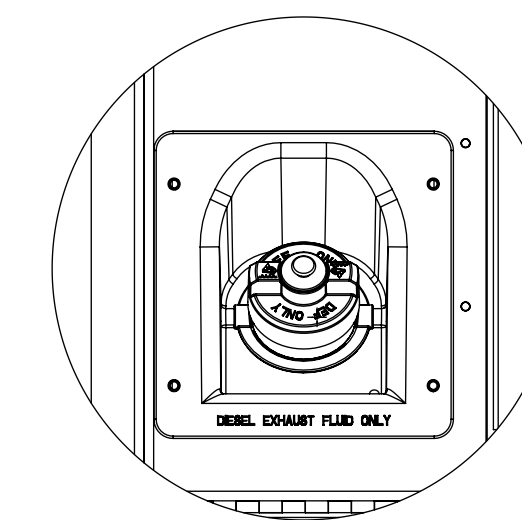
**DETAIL A
SCALE 1 : 7**

ASSY, WATERFALL BUS, TIER 4F STUDIO

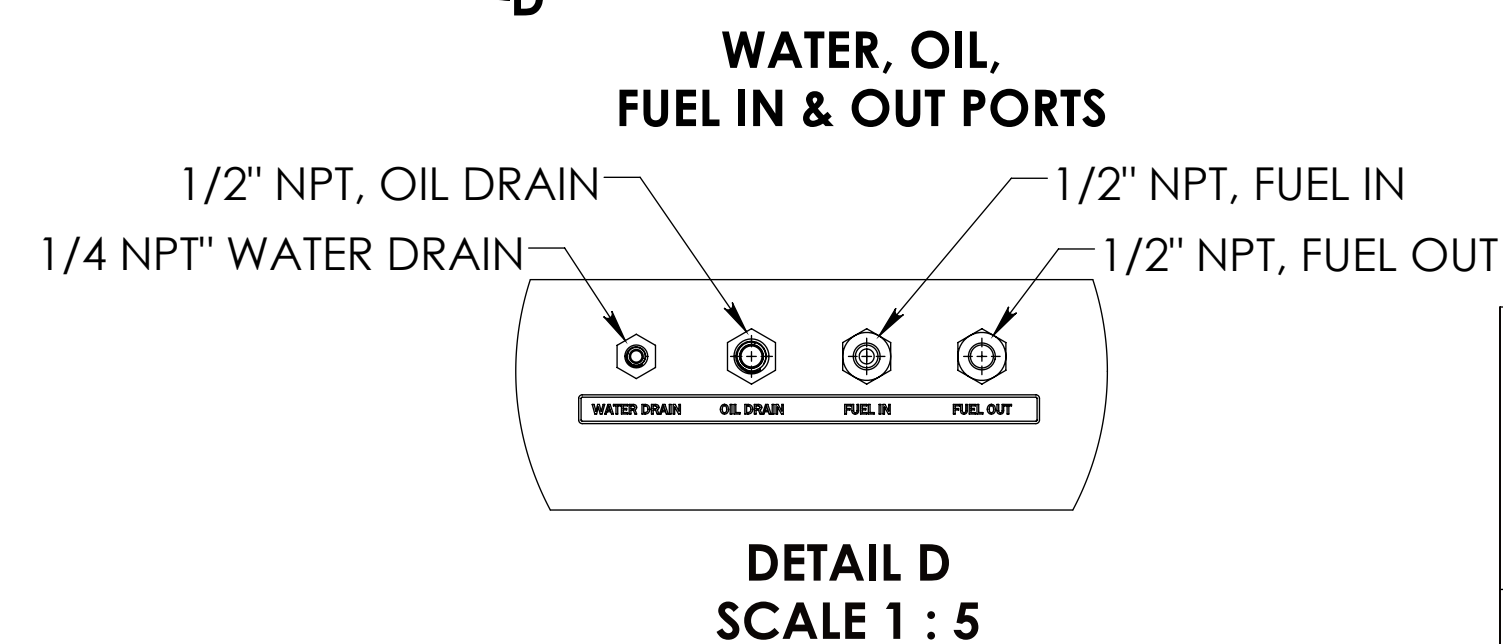
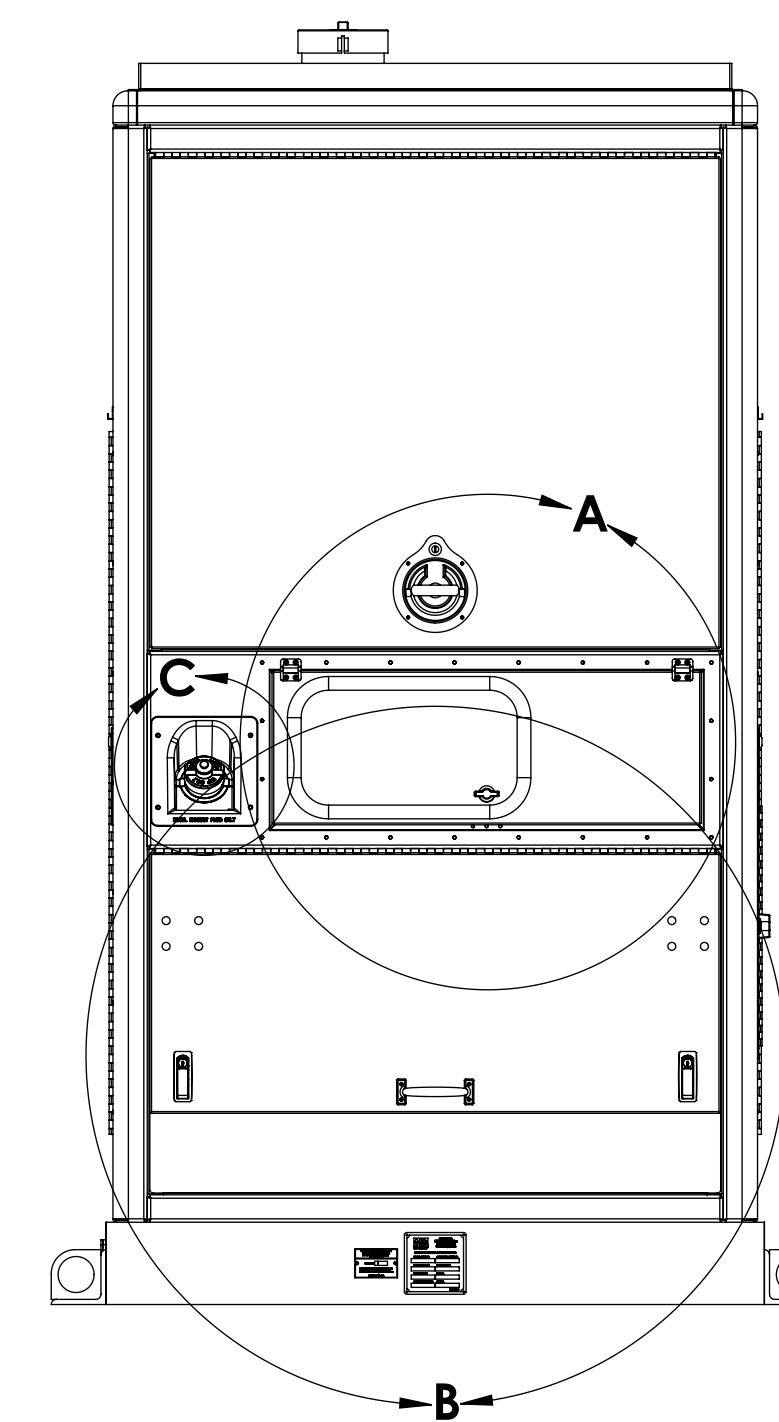
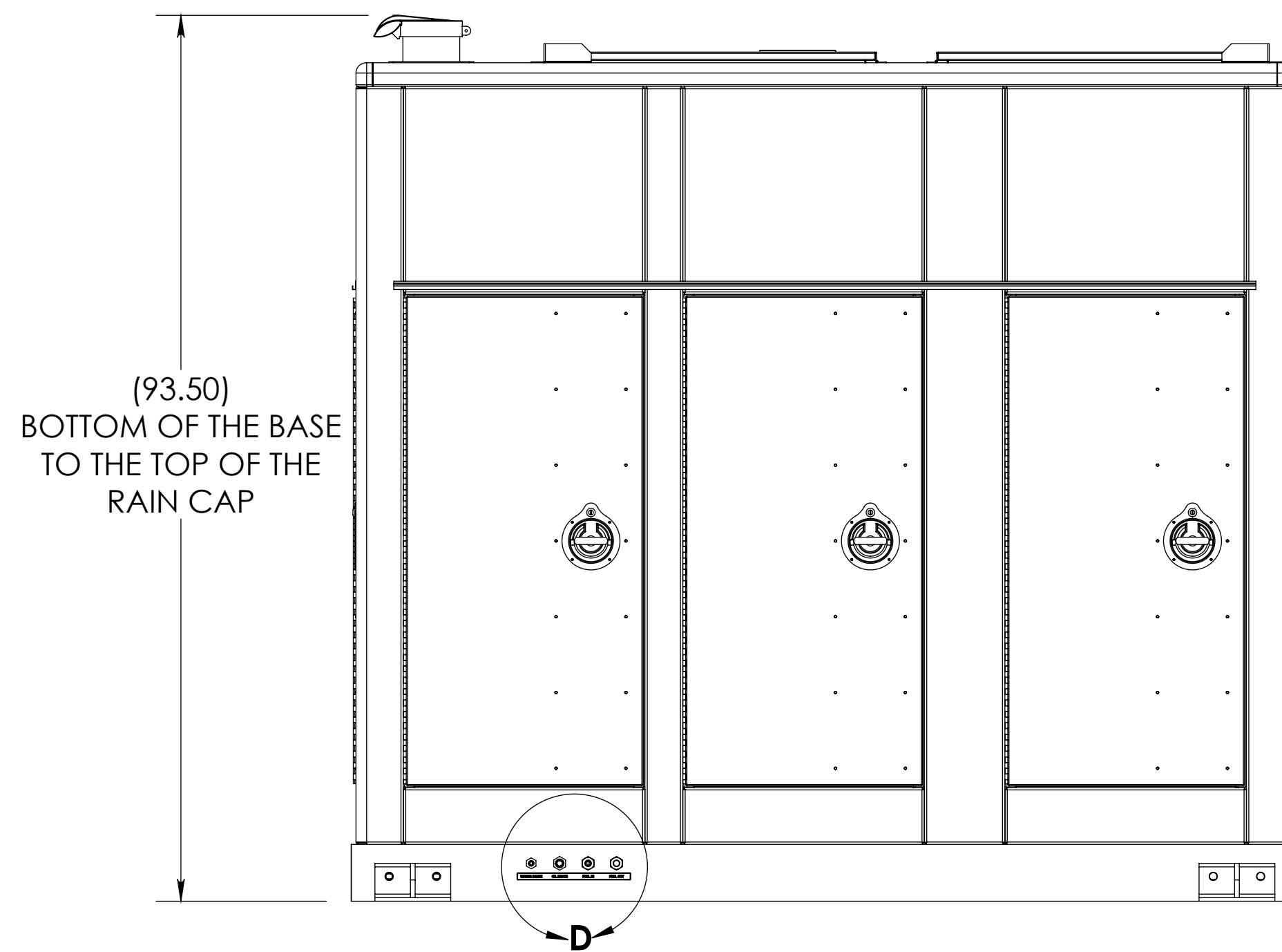
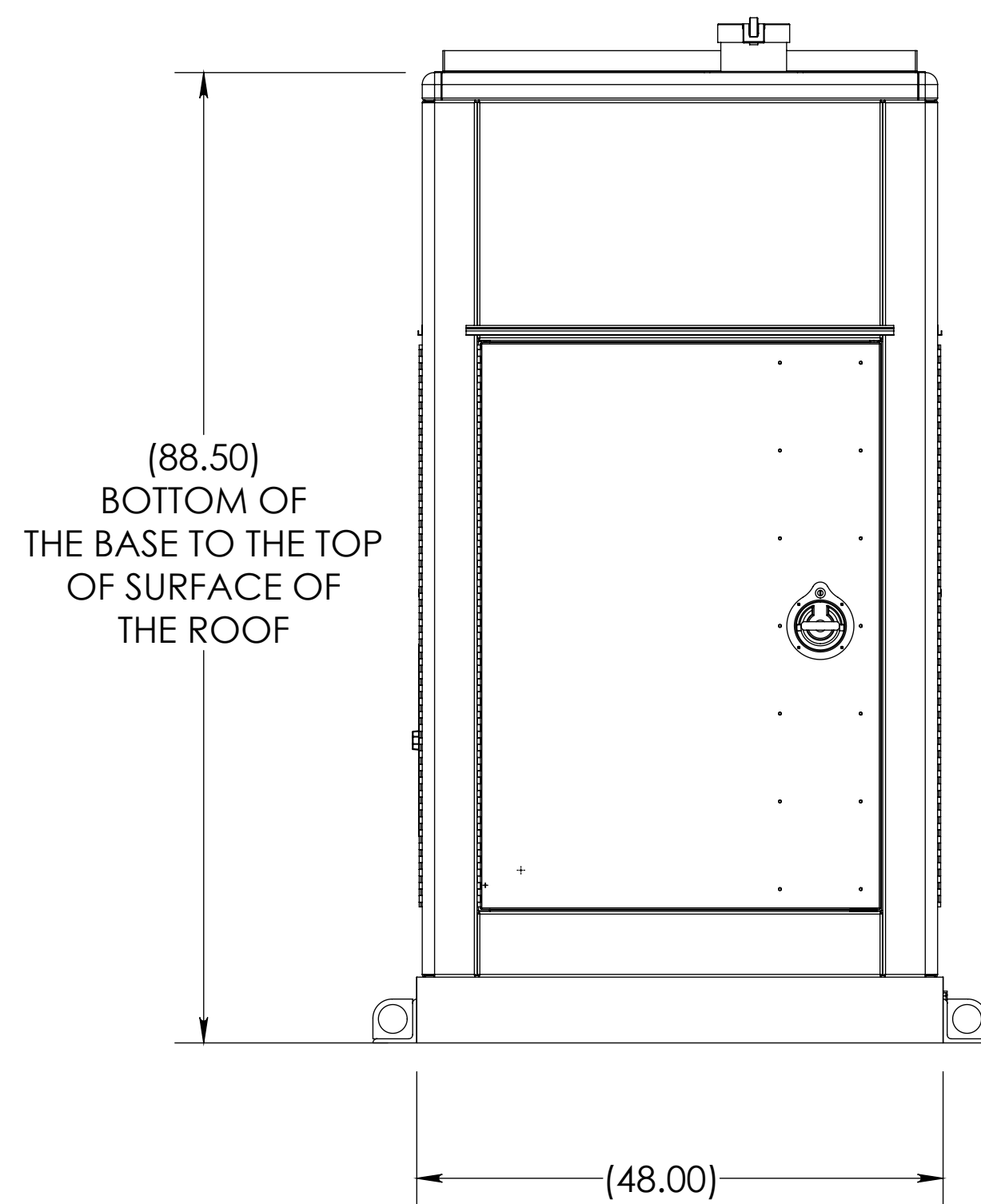
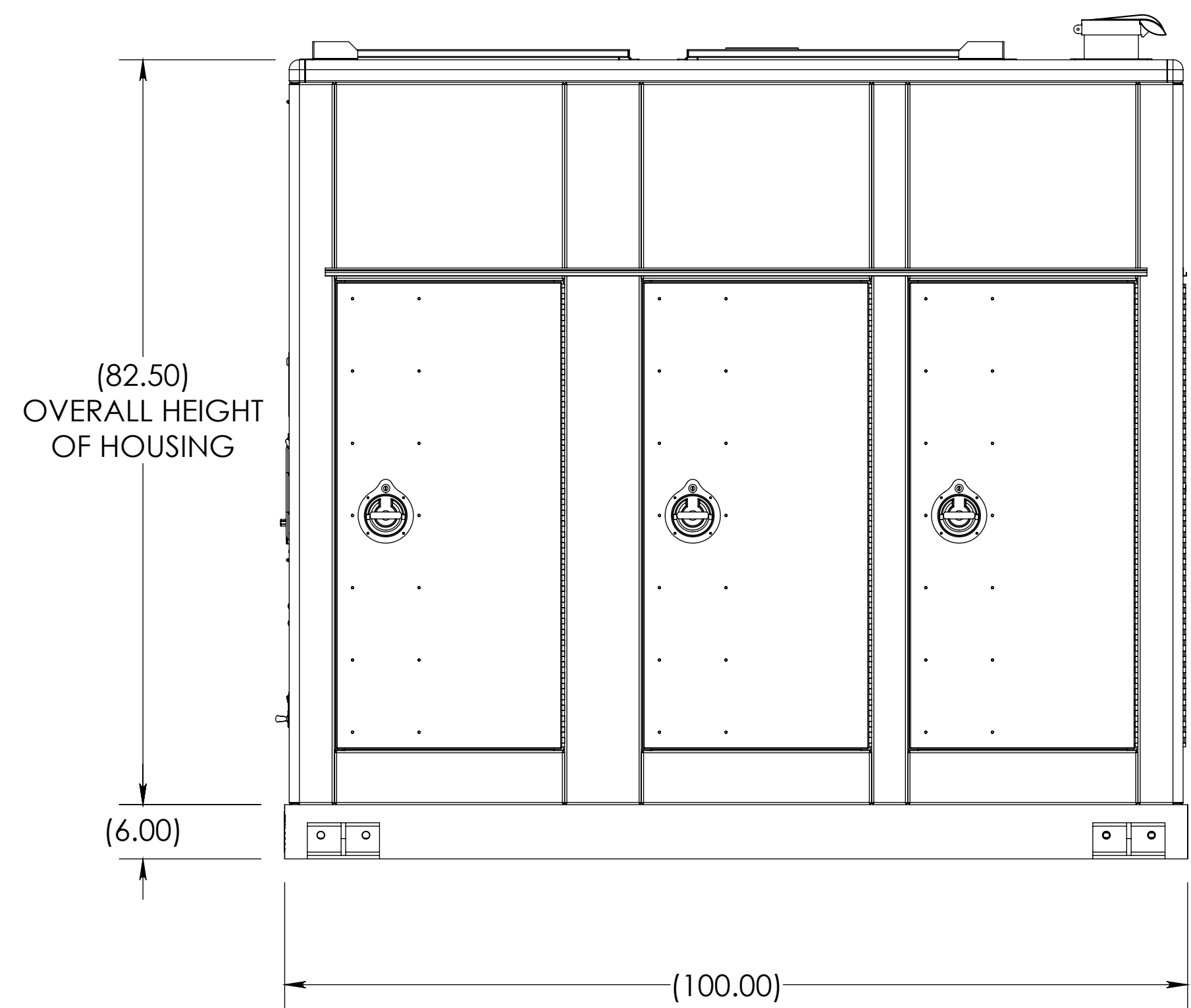


**DETAIL B
SCALE 1 : 7**

ASSY, DEF REMOTE FILL



**DETAIL C
SCALE 1 : 5**



**DETAIL D
SCALE 1 : 5**

UNLESS OTHERWISE SPECIFIED		DATE	11/16/2015	
DIMENSIONS ARE IN INCHES		DATE		
TOLERANCES:		SCALE	1:14	ASSY, GENSET, TIER 4F 1400-1600 AMP STUDIO
X.XX ± 0.03 FRACTIONS ± 1/32		SIZE	D	
X.XXX ± 0.010 ANGLES ± 1/2°		SUPERCEDS		REVISION
BREAK ALL SHARP EDGES .005-.015		INTERPRETATION OF DRAWING PER	ANSI Y14.5 (LATEST REV)	01
THIRD ANGLE PROJECTION		CAD SYSTEM: SOLIDWORKS	WEIGHT: LBS.	SHEET 1 OF 1